



## Nilfisk-CFM SS Vapor Vacuum Instructions for Use and Spare Parts Manual



**Caution:** This Nilfisk-CFM vacuum cleaner is not to be used in explosion hazardous areas as serious injury could result.

Your new Nilfisk-CFM SS Vapor Vacuum is a precision-engineered instrument designed expressly for the capture of arsine and phosphine gases and chlorinated solvent vapors. Ordinary vacuum cleaners do not have the proper activated-carbon absorbent filter cartridges for the collection of these types of gases and vapors. In addition to the activated-carbon filter cartridge, the Nilfisk-CFM SS Vapor Vacuum is also equipped with an internal HEPA\* filter for the purpose of collecting hazardous dusts. Proper care of this cleaner is essential to the maintenance of its ultra-fine filtering capabilities.

**Attention Employer:** Please ensure that these **Instructions for Use** are made available and understood by your employees or any other person who may use this equipment.

**Before Use:** Do not attempt to operate this cleaner until you have installed its various components according to the following instructions.

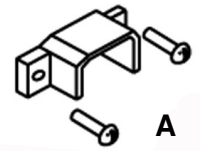
### ASSEMBLY AND USE

1. Remove the upper two-thirds of the cleaner by releasing the clips attaching the absorbent filter cartridge to the lower container. Lift off this upper part, taking care when setting it down again that the HEPA pre-filter is not damaged or displaced.
2. Installing the optional Polyliner and Paper Dust Bag: Open the polyliner (P/N 01719000) and place it in the bottom of the container with its walls flush against the container sides and lipped under the container inlet. The excess length of the polyliner is draped over the top of the container down the outside, then rolled at the end to permit the container to close. Pierce the dust bag's perforation. Expand the paper bag (P/N 81620000) carefully and place it inside the polyliner. With both hands, pull the bag's collar over the suction inlet (photo 1).
3. Replace the top two-thirds of the machine on the container bottom and secure clips. Be sure that all silicone rubber seals are seated properly to ensure that the seals are tight.

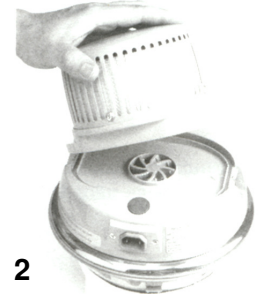


\* HEPA – High Efficiency Particulate Air – Retains 99.97% of particles down to 0.3 microns in size.  
ULPA - Ultra Low Penetration Air - Retains 99.999% of particles down to 0.12 microns in size.

4. Installing the Power Cord: A cord securing bracket is provided on the back of the motorhead. Lift the bracket up and insert the plug from the power cord into the motorhead. Slide the cord securing bracket down over the plug. The cord securing bracket is removed simply by removing the 2 screws shown in "A"



5. Installing the optional HEPA or ULPA Exhaust Filter: If this cleaner is to be used for the recovery of hazardous or toxic dust in a controlled environment a HEPA or ULPA exhaust filter must be installed (photo 2). On either side of the motor are two large screws. Turn them 90 degrees either way to a vertical position and push down on the center of the motor handle. This will disengage the motor handle and motor diffuser. Replace them with the exhaust filter and its longer exhaust filter handle, then turn the screws 90 degrees back to their original horizontal position. The exhaust filter is now properly mounted.



6. Attaching Accessories: The SS Vapor Vacuum is equipped with a 1-1/4" x 10ft plastic hose complete with stainless steel hand tube. Attach the hose to the machine by sliding the cuff over the inlet on the container. A plastic cap is provided to seal the end of the hose when the machine is not in use. An inlet plug is also supplied if the hose is removed. Sealing the hose or container will help to prolong the life of the activated carbon filter. For added security, the canister is equipped with positive twist safety latches (photo 3).

7. To start and stop the motor, depress the gray switch on the front of the motor.

**Caution:** IT IS IMPORTANT THAT SPILLS BE ATTENDED TO IMMEDIATELY. IT IS EQUALLY IMPORTANT THAT THEY BE CLEANED UP CAREFULLY, THOROUGHLY AND SLOWLY



## EMPTYING

**SINCE THIS VACUUM CLEANER IS USED TO COLLECT HAZARDOUS VAPORS AND DUST, DO NOT ATTEMPT TO OPEN OR EMPTY ITS CONTENTS WITHOUT PERSONAL PROTECTIVE CLOTHING AND RESPIRATORY PROTECTION.**

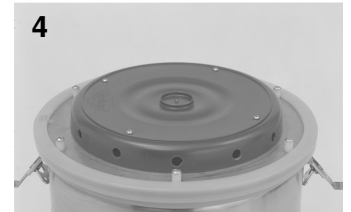
1. Remove the upper two-thirds of the cleaner by releasing the container clamps attaching the absorbent filter cartridge to the lower container. Lift off this upper part, taking care when setting it down that the HEPA pre-filter is not damaged or displaced.
2. Dust and Dry Applications: Slide the paper bag off the inlet tube. Pull the polyliner (if used) up and around the paper bag. Do not squeeze or compress the paper bag. Tie off the polyliner to seal the paper bag inside and install a new polyliner/bag according to Step 2 (Assembly and Use).
3. Disposal: Depending on local regulations and the composition of the material you have collected, there will be a requirement for special handling and labeling of the filled and sealed plastic bags. Consult your local Occupational Safety and Health Agency (OSHA) and Environmental Protection Agency (EPA) officials for details.

## FILTER REPLACEMENT

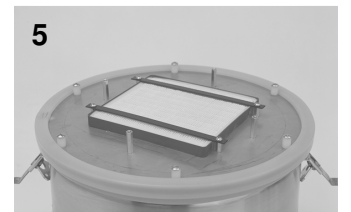
To ensure that your Nilfisk vacuum cleaner delivers the years of trouble-free operation for which it was designed, it is necessary to check and replace filters regularly.

1. Disposable Paper Bag: This should be replaced when approximately one-third (1/3) full and then disposed of only in a sealed plastic bag. Do not attempt to reuse the disposable paper bag. Specify Nilfisk part number 81620000 when reordering bags.

2. Internal HEPA Filter: The glass fiber element in the internal HEPA filter (P/N 12015500) should perform satisfactorily for a minimum of one year. It cannot be renewed or restored. Exact life of the filter will depend upon the frequency of use and amount and type of material collected.  
NOTE: The HEPA filter must be replaced more frequently if the cleaner has had unusually heavy use or if the vacuum cleaner has been operated without a paper bag installed.



Remove the top one-third of the container and set it aside. Remove the next section, turn it over and you will see a plastic HEPA filter cover (photo 4). With a screwdriver, unscrew the four screws from the HEPA cover. Remove the HEPA cover and set aside. Next, loosen and remove the four screws from the two metal clamps securing the HEPA filter (photo 5). Remove both metal clamps and carefully remove the filter. Discard the filter in a sealable bag.



To install the new filter, insert the HEPA cartridge in the square cavity with the gasket side down. Replace the two metal clamps and secure them with the four screws. NOTE: Make sure the screws are well tightened to provide the necessary seal. Replace the plastic HEPA filter cover and secure with the four screws. Reassemble container.

3. Vapor Absorbent Cartridge: There are no visual means of determining when this cartridge needs to be replaced (P/N 01796550). For more information, please refer to the Special Notes section on Page 4.



4. Microfilter: This small white felt sock, which fits over the motor bottom, will require periodic inspection (photo 6). Dark colored dust will discolor this white microfilter. Change the microfilter as soon as discoloration is easily noticeable. Frequency of replacement will depend on the amount of use the cleaner gets. Do not shake the microfilter since this can cause liberation of potentially harmful microscopic dust into the air. Remove carefully and discard with collected debris in the sealable poly bag. Specify Nilfisk part number 11730410 when reordering the microfilter.

5. Optional HEPA or ULPA Exhaust Filter: If the microfilter is properly maintained, the glass fiber element in the exhaust filter should perform satisfactorily for at least one year (photo 7). It cannot be renewed or restored by shaking. Locate the large gray screws on either side of the motor top. Turn them 90 degrees either way to a vertical position and push down on the exhaust filter handle. Once the exhaust filter is disengaged, remove the protective aluminum casing



by removing the four Phillips head screws in the housing. Replace the cartridge (HEPA filter P/N 01727631, ULPA filter P/N 01737631) and reassemble. Cartridges should be replaced if the vacuum cleaner has noticeably stronger suction without them.

**Caution:** Use only genuine Nilfisk replacement filter components. The use of substitute components could pose a grave risk of personal exposure and will cause all equipment warranties to be void.

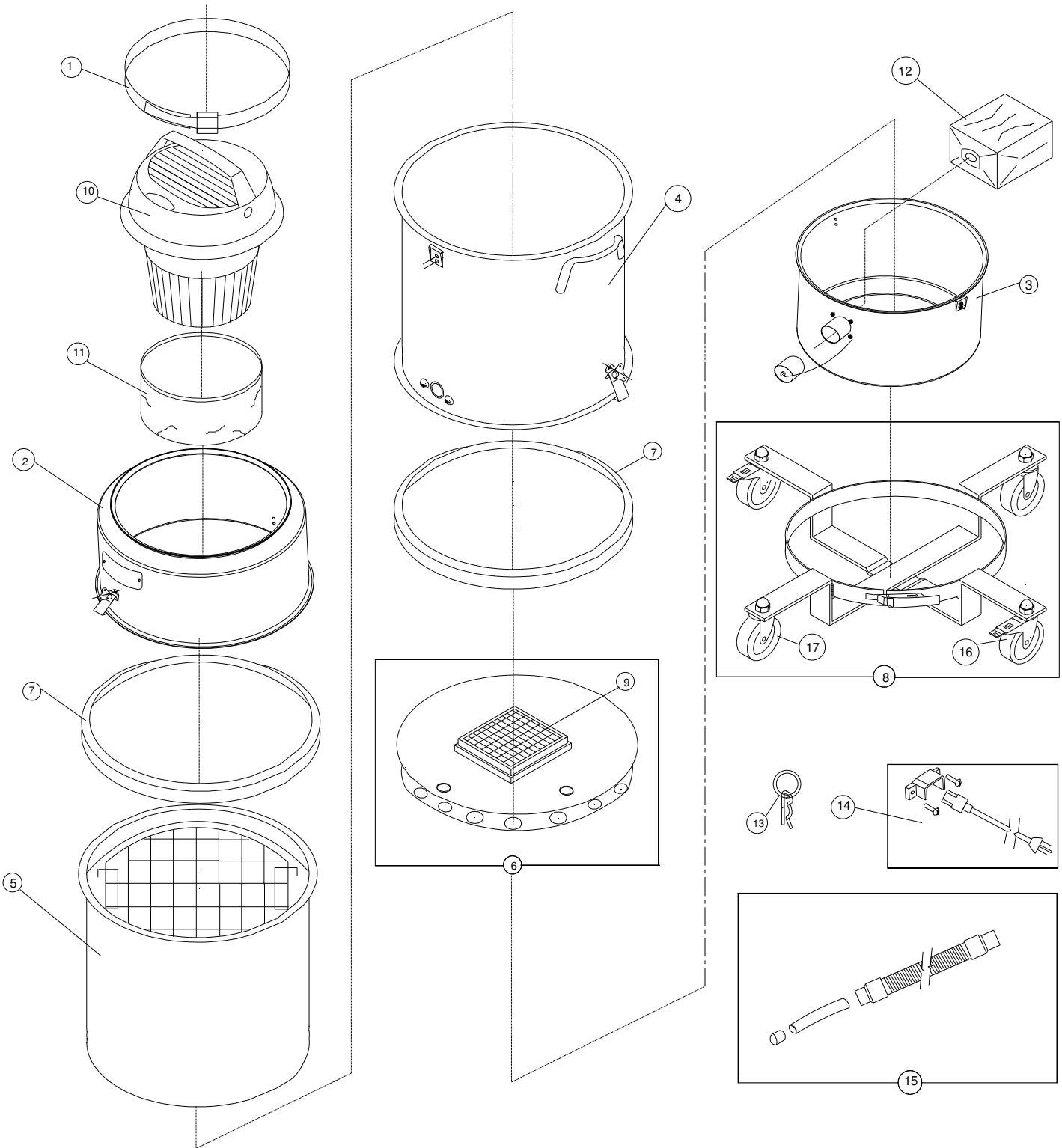
## **SPECIAL NOTES – IMPORTANT!**

The oversize capacity of the Nilfisk-CFM vapor absorbent cartridge is designed to provide extended filter protection against accidental discharge of vapors during use. Activated-carbon is designed to have a service and/or shelf life of two years. However, actual life span of the filter will vary depending on type and quantities of gases absorbed. Therefore, regular periodic checks of the cleaner's exhaust with a gas/vapor detection device will ensure that your activated-carbon filter has useful capacity remaining.

**CAUTION:** IN-LINE CLOCKS USE TO INDICATE MOTOR RUNNING TIME DO NOT NECESSARILY INDICATE FILTER EXPOSURE TIME.

NOTE: To extend carbon filter life, install the inlet plug (P/N 80559400) into the orifice of the machine when not in use. When storing, place the entire unit in a sealed plastic bag.

# Exploded Diagram - SS Vapor Vacuum



See next page for corresponding part numbers

See previous page for corresponding item numbers

<b>Item #</b>	<b>Description</b>	<b>Part Number</b>	<b>Qty</b>
1	Motor Clamp	80386300	1
2	Upper Container Assembly	01796513	1
3	Lower Container Assembly	01796512	1
4	Center Sleeve Assembly	01796546	1
5	Vapor Carbon Filter	01796550	1
6	HEPA Plate Assembly	01796540	1
7	Gasket	01796535	2
8	Trolley Assembly	01796590	1
9	HEPA Filter	12015500	1
10	Motorhead 115V	01796518	1
10	Motorhead 230V	01796517	1
11	Microfilter	11730410	1
12	Paper Dust Bag	81620000	1
13	Latch Pin, trolley	01796593	1
14	Power Cord Assembly	21827400	1
15	Hose Assembly	01796592	1
16	Caster, locking	01796421	2
17	Caster	01796420	2

### **Optional HEPA and ULPA Exhaust Filters**

Complete HEPA Exhaust Filter Kit	01710440
Replacement HEPA Filter Cartridge	01727631
Complete ULPA Exhaust Filter Kit	01720440
Replacement ULPA Filter Cartridge	01737631

## **WARRANTY**

The Nilfisk companies warrant that Nilfisk equipment will be free of defects in workmanship or material for a period of two years from the date of delivery. Should any failure to conform to this warranty appear, the Nilfisk companies shall upon notification within such time period, correct such non-conformity, at its option, either by repairing any defective part or parts, or by replacing a part or parts provided that the equipment is returned to an authorized Nilfisk service facility. In all cases freight both ways will be at the expense of the customer. Equipment shall not be returned without advance notice to, and consent of the Nilfisk companies.

EXCEPT AS SPECIFICALLY SET FORTH HEREIN, THE NILFISK COMPANIES MAKE NO WARRANTIES, EITHER EXPRESSED OR IMPLIED AS TO ANY MATTER WHATSOEVER, INCLUDING WITHOUT LIMITATION ANY AND ALL WARRANTIES OF MERCHANTABILITY, FITNESS FOR PURPOSE, OR OTHER WARRANTIES, ALL OF WHICH ARE EXPRESSLY DISCLAIMED AND EXCLUDED. NEITHER PARTY SHALL BE LIABLE TO THE OTHER FOR SPECIAL, INDIRECT, INCIDENTAL OR CONSEQUENTIAL DAMAGES, INCLUDING BUT NOT LIMITED TO LOSS OF PRODUCTION, LOSS OF TIME, LOSS OF PROFITS OR OTHER SIMILAR INDIRECT LOSSES WHICH MIGHT OCCUR AS A RESULT OF DEFECTS, PARTIAL OR TOTAL FAILURE OF THE PRODUCT TO PERFORM AS SPECIFIED.

Correction of non-conformities or defects in the manner and for the period of time provided above, shall constitute fulfillment of all liabilities of the Nilfisk companies to the customer, whether based on contract, negligence or otherwise with respect to, or arising out of such equipment. The remedies set forth herein are exclusive, and the liability of the Nilfisk companies with respect to this sale or anything done in connection therewith, whether in contract, in tort, under any warranty, or otherwise, shall not except as expressly provided herein, exceed the price of the equipment or part on which such liability is based.

The warranty does not cover repairs due to normal wear and tear, accident, neglect, misuse or abuse, incorrect installation or use other than as described in the instruction booklet. Breaks in hoses and cables are not covered. This warranty is rendered void if the motor number plate is removed or defaced or if repairs are made or attempted by persons not authorized by the Nilfisk companies.