

# EnviroMate PRO EP1000

Steam Cleaning System

Système de nettoyage à vapeur

Sistema de Limpieza a Vapor



INSTRUCTION MANUAL  
GUIDE D'UTILISATION  
MANUAL DE INSTRUCCIONES

ENGLISH	01
FRANÇAIS	15
ESPAÑOL	29

*ENVIROMATE PRO EP1000  
STEAM CLEANING SYSTEM  
INSTRUCTION MANUAL  
ENGLISH*

## CONGRATULATIONS

*We would like to thank you, and congratulate you for purchasing the ultimate steam cleaner from Reliable Corporation.*

*Dry vapor steam cleaning can deep clean and sanitize your home or work place safely and effectively. Vapor steam is effective for killing dust mites, bacteria and mildew. It's perfect for cleaning, sanitizing and deodorizing all the rooms in your house, particularly bathrooms and the kitchen. For family members with chemical sensitivities, vapor steam cleaning is a great way to keep the house clean without using potentially harmful chemicals. Birdcages, aquariums, and pet areas; upholstery, drapery, and bedding are all made cleaner and safer for you, your family and your pets when you clean with vapor steam.*

*For your safety and to fully enjoy the advantages of this product, please take a few minutes to read all the important safeguards and care instructions. Keep this manual handy and review the product warranty card for your reference.*

*Note: your new steam cleaner may contain small amounts of water as all are factory tested prior to shipping.*

# IMPORTANT SAFETY INSTRUCTIONS

- When using your Reliable steam cleaner, basic safety precautions should always be followed. Please read the following instructions carefully as they provide important information concerning how to install, use and care for this steam cleaner.
- Use the steam cleaner only for its intended use.
- To protect against a risk of electric shock, do not immerse the steam cleaner in water or any other liquids.
- The steam cleaner should always be turned OFF before plugging it into or unplugging from a wall outlet. Never pull the power cord to disconnect from the outlet; instead grasp the plug and pull to disconnect.
- Do not let the power cord touch hot surfaces. Let the steam cleaner cool completely before putting it away. Wrap the power cord around the posts that are positioned in the rear of the steam cleaner when not in use.
- Do not operate the steam cleaner with a damaged cord, plug, or if the steam cleaner has been dropped or damaged. This will void any and all warranties. Please contact the place of purchase for repair procedure.
- Close supervision is necessary for any appliance being used by or near children. Do not leave the steam cleaner on while unattended.
- Do not use this unit in the presence of explosive and/or flammable fumes.
- Keep ventilation slots free from dust.
- Never drop or insert any object into ventilation slots
- To prevent overheating, unravel the electrical cord completely.
- Do not operate where aerosol (spray) products are being used or where oxygen is being administered.
- To disconnect, turn all controls to the off position, then remove plug from the main power.
- Never put away your steam cleaner while it is still hot. There is no need for emptying the tank unless you intend to leave it unused for a long period of time.
- This product is intended for household or commercial use.
- Before turning on the steam cleaner, please ensure that the water tank is full.
- This product is grounded for your safety. If you must use an extension cord, make sure it is rated at least 15 amps, and is grounded.
- Never store the appliance in an area that is likely to freeze
- A hydraulically operated safety pressure relief valve is fitted inside the appliance, it MUST only be replaced by authorised service personnel with an identical valve to prevent a safety hazard.
- The steam generator is fitted with a safety overload cut-out that MUST only be reset or replaced with an identical component by authorised service personnel to prevent a safety hazard
- Every time the steam generator heats up from cold, the air inside the appliance prevents steam from being delivered immediately. After one minute of heating up set the steam regulation knob to maximum position and push-button under pistol grip, to expel this air
- Never put detergents, perfumes or any other chemical substances in the water tank

## ELECTRICAL INSTRUCTIONS

To avoid a circuit overload, do not operate another high-wattage appliance on the same circuit simultaneously with the steam cleaner. If an extension cord is necessary, a 15-amp rated cord with a polarized plug should be used. Cords rated for less may overheat and cause damage.

## WATER INSTRUCTIONS

Your steam cleaner has been planned for use with normal tap water. In order to extend the life of this product, if where you are living the level of water hardness is very high, we recommend using 50% of normal water with 50% of distilled water.

## TEST FIRST, THEN CLEAN

Prior to cleaning, test the surfaces to be steam cleaned. We will not assume any responsibility where damage is done due to not testing first.

## DESCRIPTION OF THE STEAM CLEANER

1. Main switch
  2. Main panel
  3. Electrical cord
  4. Water tank cap
  5. Carrying Handle
  6. Wheels
  7. Flexible hose connecting outlet
- A. Ready steam light
  - B. Low water control light
  - C. 1 steam regulation light
  - D. 2 steam regulation light
  - E. Hot water injection light
  - F. Pressure gauge



## ACCESSORIES WITH STEAM CLEANER

8. Rectangular floor brush
9. Triangular brush with black polyester bristles
10. Window cleaner with 25 cm squeegee blade
11. Black upholstery scraper
12. Funnel
13. 30 mm small brush with black polyester bristles
14. 38 mm small brush with black polyester bristles
15. Extension pipes
16. Nozzle with brass tip
17. 2,45 m flexible hose
18. Pad for triangular brush
19. Drain opener key
20. Pad for rectangular brush
21. Towel
22. 35 cm squeegee blade for windows
23. Aluminum nozzle



## HOW TO USE YOUR STEAM CLEANER

1. Remove the water tank cap (4), and fill the tank (4) up to the maximum of 3 L (10/11 cups). Secure the cap until snug.
2. Connect the electrical cord to the main power outlet.
3. Connect the flexible hose (17) to the appropriate accessory that you wish to use.
4. Turn the main power switch (1) at position I and the green light will turn on. At this position the steam tank is automatically supplied with water via an electronically controlled pump and heating starts. It is quite normal to hear noises during operation.
5. NOTE: When you call for steam for the first time (after having turned the steam cleaner on), you might notice a fast decrease in pressure. This is normal for the first time due to air being in the steam tank.
6. After a few minutes, the steam ready light (A) will turn on, indicating that the unit is pressurized and ready for use.
7. You can regulate the steam strength and quantity by switching between four position on the handle of the steam hose (17)

8. Positions 1 to 3 on the handle, are for steam only regulation (each one provides twice the strength and pressure of the previous one).
9. Position 4 on the handle activates the hot water injection. This feature mixes steam and hot water to produce a super strength cleaning jet.
- 10 During use, the green light (A) will alternatively turn on and off. This is normal, and indicates that steam is being generated in the steam chamber.
11. To shut the unit off, turn the main power switch (1) to position 0. It is recommended to unplug the unit when not in use. Allow to cool for approximately 30 minutes before storage. Any water remaining in the steam generator can be left for 1 - 3 months. Never store the unit in an area where the temperature is below zero without first draining the water from the tank, as damage may occur to the tank.
12. NOTE: We recommend to drain the tank when the boiler is cold. Take off the drainage cap at the bottom of the machine using a coin; completely unscrew the boiler drainage plug using a 20 mm hexagonal key (19). After drainage, replace the nut and the cap.
13. The frequency of the draining depends on the hardness of the water. Minimally, it should be done every 1-3 months. For cleaning instructions, please refer to page 8.

## *THIS MODEL IS PROVIDED WITH THE FOLLOWING FEATURES*

### *STEAM READY LIGHT (A)*

A green light signals that the steam has reached the maximum working pressure and the unit is ready to be used.

### *LOW WATER CONTROL LIGHT (B)*

A red low water warning light signals that the water tank needs to be refilled. If you wish to continue steam cleaning, unscrew the water tank cap (4) and refill the tank.

### *STEAM REGULATIONS LIGHTS AND HANDLE CONTROL*

The two yellow lights signal the three possible regulations of steam quantity/strength. The first steam regulation on-light (C) corresponds to the minimum steam quantity, position 1 on the handle (G). The second regulation on- light (D) corresponds to a medium steam quantity, position 2 on the handle (H). Both the first and second regulation on-lights (C + D) correspond to the maximum steam quantity, position 3 on the handle (I).

### *HOT WATER INJECTION LIGHT AND HANDLE CONTROL*

This yellow light signals the activation of the hot water Injection feature. When this light (E) is on (position 4 on the handle (J)), the steam is blended with hot water, making it ideal for rinsing applications.



# USING THE ACCESSORIES

## CONNECTING THE ACCESSORIES

Lift the hinged cover (7) on the lower front of the steam generator and fit the hose plug connector (17) by depressing the red button and pushing firmly in until a 'click' is heard indicating that the hose plug is inserted all the way. The hose **MUST** be properly connected, otherwise the solenoid valve will not function and steam will not be delivered through the hose or attachments. To deliver steam, activate the button situated on the underside of the handle.

## LARGE RECTANGULAR FLOOR BRUSH

For cleaning hard floors, attach the extension tubes (15) to the angle adapter to use the large rectangular brush (8). Attach a dry cloth to the brush for the most effective cleaning of hard floors or carpet surface cleaning.

## TRIANGULAR/UPHOLSTERY BRUSH

The triangular brush (9) is used where it is impossible or awkward to use the large brush.

### *UPHOLSTERY, DRAPERY, BEDDING, ETC.*

Cover the brush with a clean dry cloth fixing it through the spring. Use a rapid back and forth motion, making sure that you do not over saturate the material with steam.

*IMPORTANT: Prior to cleaning do a color check in an area that is not easily seen before you begin. Reliable Corporation is not responsible when these guidelines are not followed completely.*

## SQUEEGEE

The squeegee (10) makes the cleaning and degreasing of windows easy. Attach the squeegee and steam clean while removing the dirt with the rubber portion of the blade. A wider blade (22) is provided for larger windows.

**CAUTION:** During cold weather, warm up the windows with the window cleaner from a 2"-4" distance and with very little steam flow before starting the actual cleaning (to prevent possible damage to the window).

## HIGH PRESSURE NOZZLE WITH SMALL ROUND BRUSH (NYLON, BRASS, STAINLESS STEEL)

The high-pressure nozzle can be used with or without one of the small round brushes supplied with the steam cleaner. For items that are particularly prone to scratches, it is best to use the nozzle without a brush. For all other areas, start with the nylon brush

(least abrasive) and carefully work your way up to the brass, then the stainless steel brush (optional). It is always better to use care when using the brushes to prevent damage or scratching.

The use of the steam nozzle alone is particularly good for cleaning and degreasing many working surfaces, ventilation hoods, see through oven doors, ventilation grating, kitchen furniture, stainless steel or enamel sinks, hand-basins, bath-tubs, water taps (to remove scale and water residue), doors, metal frames, car wheel rims, pet areas etc.

The nylon brush, because of its softness, is ideal for removing the dirt in grout, sinks and other surfaces where you need some light scrubbing action, but need to be careful not to scratch the surface.

Tougher cleaning jobs may require the use of the brass brush that is supplied. Please make sure you are careful that it does not scratch the surface with this tool. Brass is tougher than nylon, but softer than stainless steel. For surfaces (grout for example) where the dirt is not being properly lifted with the nylon brush, carefully using the brass brush may give the best results.

For the toughest cleaning assignments (very caked on grease, rust, barbeque grills, very dirty grout), we recommend that you purchase the optional stainless steel brush that is available through your dealer.

When using the steam nozzle with or without the brushes, you will need a cloth to wipe up the moisture and dirt that has been lifted through cleaning.

## *ALUMINUM NOZZLE*

This is a super high pressure tool (23), with a long aluminum (extremely hot) pipe. This tool provides a higher pressure and a hotter steam jet than any other nozzle. Its properties make this tool very suitable for cleaning stubborn dirt that do not require brushes.

## *ATTACHMENT COUPLINGS*

If the attachment connections dry up after intensive use, put a small amount of lubricant (Vaseline) around the O-rings on the male attachment.

## *FILLING THE TANK*

If on the main panel (2), the water level control light (B) comes on during use and you would like to continue using the steam cleaner, you will need to follow these steps:

1. Unscrew the black water tank cap (4)
2. Fill the tank with water (see water instructions for details).
3. Place the tank cap (4) back on.

If you're using the trolley with the external water bottle connected to the water tank cap, follow the same steps listed above but directed to the water bottle.

# MAINTENANCE OF THE BOILER

To maintain your steam cleaner in good condition and to ensure constant performance, we recommend that you clean the boiler every once or twice a year, depending on the hardness of the water.

## CLEANING INSTRUCTIONS

*ATTENTION: Before draining the boiler, please make sure that the machine is at room temperature and that it is disconnected from the power source.*

1. Take off the drainage cap at the bottom of the machine using a coin
2. Completely unscrew the boiler brass drainage nut, using a 20 mm hexagonal key (19).
3. After cleaning, twist close the drainage nut and replace the cap.

*NOTE: if you see that the water that is coming out from the boiler is full of dirt/limestone, we suggest that you repeat this operation more frequently, perhaps three to four times per year.*

## TECHNICAL DESCRIPTION

120V ~ Power	1750W
Cold water tank capacity	3,1L
Boiler capacity	1,6L
Working pressure	6 bar
Continuous steam system (CSS)	Yes
Steam Regulations	3
Safety valve	Yes
Hot water injection	Yes
Limestone Magnetic Filter	Yes
Certifications	cETLus

# TROUBLESHOOTING

Do not operate the steam cleaner with a damaged electrical cord, plug or if the steam cleaner has been dropped or damaged. To avoid risk of electric shock, do not disassemble or attempt to repair the unit on your own. Return the unit to Reliable Corporation (see warranty) for examination, repair or replacement.

PROBLEM	POSSIBLE CAUSES	REMEDY
No steam is released through the steam fittings.	<ol style="list-style-type: none"> <li>1. Steam unit is not turned on.</li> <li>2. Water tank is empty.</li> <li>3. Unit is not plugged in.</li> <li>4. Generator is not fully heated.</li> </ol>	<ol style="list-style-type: none"> <li>1. Turn on main switch (1)</li> <li>2. If the red light (B) is flashing on and off and you can hear a noise, fill up the tank.</li> <li>3. Plug unit into outlet</li> <li>4. Wait for the green light (A) to turn on.</li> </ol>
Water drops leak from the attachments.	<ol style="list-style-type: none"> <li>1. Unit is not fully heated.</li> <li>2. Condensation was created from non-use.</li> </ol>	<ol style="list-style-type: none"> <li>1. Wait for light (A) to turn on.</li> <li>2. Let water run through system until steam comes out.</li> </ol>
Dirty water is coming out.	<ol style="list-style-type: none"> <li>1. Scale may have built up.</li> </ol>	<ol style="list-style-type: none"> <li>1. Follow cleaning instructions in book.</li> </ol>
Not enough steam pressure.	<ol style="list-style-type: none"> <li>1. The dial on the handle may be set too low.</li> </ol>	<ol style="list-style-type: none"> <li>1. Turn the dial until the desired pressure is reached.</li> </ol>
<p>(PROBLEM) There is no steam, all the lights remain on and the pump is continuously running.            (POSSIBLE CAUSES) 1. You're using too much steam (pos. 4). 2. Water pump is broken.            (REMEDY) 1. Turn off main switch (1) wait 1 minute then turn back and wait for green light (A) to turn on. 2) Contact Reliable Corporation for service.</p>		

# EP1000 TROLLEY ASSEMBLY INSTRUCTIONS

1. Trolley base unit
2. Tray to carry accessories
3. Trolley handle
4. Rotating wheels (2)
5. Back wheels (2)
6. Chrome back wheel cover (4)
7. Self locking nuts (2)
8. Washers (4)
9. Brass wheel cover (2)
10. Fixing cap (4)
11. Water bottle with tap
12. Transparent silicone hose
13. Cap
14. Wrench

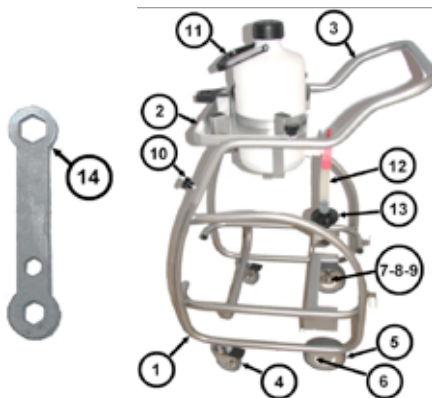




Fig. 1

1. Turn the trolley upside down in order to easily screw the rotating back wheels into the threaded holes (fig. 1).



Fig. 2

2. Assemble the wheel in the following order: washer, chrome back wheel cover, back wheel, brass wheel cover, chrome back wheel cover, washer and fix them with a self-locking nut on the shaft (fig. 2). Screw using the spanner, please be careful not to close them too tightly.



Fig. 3

3. Hold the trolley up and put the steam cleaner in it. Tilt the machine forward in order to position the front wheels in their place. This will allow a correct positioning of the back wheels also (fig. 3)



Fig. 4

4. Put the accessory tray on the trolley base unit and screw the fixing caps (fig. 4).



Fig. 5

5. The fixing caps should be tightened until the trolley structure is secure (fig. 5).



Fig. 6

6. Screw the cap to the steam cleaner tank. (fig. 6)



Fig. 7

7. Turn the tank tap on the OFF position and fill the tank with water (fig.7). Put the water tank on the accessory tray and connect the silicone hose to the machine cap, ensuring that it is well connected to avoid water leakage.

NOTE: It is important to close the tap when the machine is turned off.



Fig. 8

8. Open the tap.

Please note: if the tap returns to the OFF position, or if it gets twisted, rotate the silicone hose near the rubber holder in the tap opening direction.

## *ADDITIONAL INFORMATION*

*THE WATER TROLLEY SYSTEM DOES NOT REQUIRE THE BOTTLE TO BE REMOVED FOR FILLING.*

During use do NOT pull the steam hose with FORCE, it could move the machine on the trolley.

If you need to put the WATER BOTTLE on a FLAT surface, rotate the tap to a horizontal position (fig.8).



Reliable Corporation (“Reliable”) warrants to original purchaser of its products that every product sold by Reliable (a “Reliable Product”) is free from defects in material and workmanship for a period of one year from the date of purchase, if properly used and maintained. Subject to the conditions and limitations set forth below, Reliable will either repair or replace any part of a Reliable Product that proves defective by reason of improper workmanship or materials. If the defective Reliable Product is no longer available and cannot be repaired effectively or replaced with an identical model, Reliable shall replace the defective Reliable Product with a current Reliable Product of equal or greater value. Repaired parts or replacement products will be provided by Reliable on an exchange basis, and will be either new or refurbished to be functionally equivalent to new. If Reliable is unable to repair or replace a Reliable Product, it will refund the current value of that Reliable Product at the time the warranty claim is made.

This limited warranty does not cover any damage to a Reliable Product that results from improper installation, accident, abuse, misuse, natural disaster, insufficient or excessive electrical supply, abnormal mechanical or environmental conditions, wear and tear resulting from normal use of the product, or any unauthorized disassembly, repair, or modification. This limited warranty does not extend to any indirect, consequential or incidental damages that may be suffered by a user or from the use of a Reliable Product, including without limitation, any liability for third party claims for damage, and is limited to the amount paid by the original purchaser Reliable Product with respect to which this limited warranty protection applies. This limited warranty does not apply with respect to products that have been altered or which are missing serial numbers or for products not purchased directly from Reliable or a dealer authorized by us to sell Reliable Products.

This limited warranty is the only warranty that applies to any Reliable Product, supercedes any and all terms that may be contained in any other document or purchase order and may not be altered or amended except expressly in writing by Reliable.

To obtain a repair or replacement under the terms of this warranty, please contact our customer service group at 1-800-268-1649 or at [support@reliablecorporation.com](mailto:support@reliablecorporation.com). You will be required to submit an original receipt via fax or e-mail. The receipt must reflect that you are the original purchaser, the product was bought directly from us or from an authorized Reliable dealer and that the warranty claim is being made within the warranty period. You will be issued a return authorization number (RA#) and asked to ship the defective product together with proof of purchase and RA#, prepaid insured to the following address:

Reliable Corporation, 5-100 Wingold Avenue, Toronto, ON M6B 4K7. Freight collect shipments will be refused. The risk of loss or damage in transit will be borne by the customer. Once Reliable receives the defective product, it will initiate the repair or replacement process.



*ENVIROMATE PRO EP1000  
SYSTÈME DE NETTOYAGE À VAPEUR  
GUIDE D'UTILISATION  
FRANÇAIS*

## FÉLICITATIONS

*Nous aimerions vous remercier et vous féliciter pour l'achat du tout dernier nettoyeur à vapeur de Reliable Corporation.*

*Le nettoyage à sec au jet de vapeur peut nettoyer en profondeur et désinfecter votre domicile ou lieu de travail de façon sûre et efficacement. Le jet de vapeur est efficace pour éliminer les acariens, les bactéries et la moisissure. C'est parfait pour le nettoyage, la désinfection et la désodorisation de toutes les pièces de votre domicile, en particulier les salles de bain et la cuisine. Pour les membres de la famille sensibles aux produits chimiques, le nettoyage au jet de vapeur est une formidable façon de maintenir la maison propre sans utiliser de produits chimiques potentiellement dangereux. Les cages à oiseaux, les aquariums et les zones des animaux de compagnie ; les revêtements, les rideaux et la literie sont tous rendus plus propres et plus sûrs pour vous, votre famille et vos animaux de compagnie lorsque vous nettoyez avec un jet de vapeur.*

*Pour votre sécurité et profiter pleinement des avantages de ce produit, veuillez prendre quelques minutes pour lire toutes les mises en garde et les instructions d'entretien importantes. Conservez ce manuel à portée de main et révisez la carte de garantie du produit pour vos références.*

*Remarque : votre nouveau nettoyeur à la vapeur peut contenir de petites quantités d'eau car ils sont tous testés en usine avant l'expédition.*

# IMPORTANTES INSTRUCTIONS RELATIVES À LA SÉCURITÉ

- Lors de l'utilisation de votre nettoyeur à vapeur Reliable, des précautions basiques de sécurité doivent toujours être observées. Veuillez lire attentivement les instructions suivantes car elles donnent des renseignements importants sur comment installer, utiliser et effectuer l'entretien de ce nettoyeur à vapeur.
- Utilisez uniquement le nettoyeur à vapeur dans le but pour lequel il est prévu.
- Afin de vous protéger contre un risque de choc électrique, n'immergez pas le nettoyeur à vapeur dans l'eau ou tout autre liquide.
- Le nettoyeur à vapeur doit toujours être ÉTEINT (OFF) avant de le brancher ou de le débrancher d'une prise de courant murale. Ne tirez jamais sur le cordon d'alimentation pour le déconnecter de la prise ; au lieu de cela, saisissez-vous de la prise et tirez dessus pour la déconnecter.
- Ne laissez pas le cordon d'alimentation toucher des surfaces chaudes. Laissez le nettoyeur à vapeur refroidir complètement avant de le ranger. Enroulez le cordon d'alimentation autour des montants qui sont situés à l'arrière du nettoyeur à vapeur lorsqu'il n'est pas utilisé.
- Ne faites pas fonctionner le nettoyeur à vapeur avec un cordon ou une prise endommagé(e), ou si le nettoyeur à vapeur est tombé ou est endommagé. Cela annule toute garantie. Veuillez contacter le lieu d'achat pour la procédure de réparation.
- Une étroite supervision est nécessaire si tout appareil est utilisé par ou près d'enfants. Ne laissez pas le nettoyeur à vapeur allumé sans surveillance.
- N'utilisez pas cette unité en présence d'explosifs et/ou de vapeurs inflammables.
- Maintenez les fentes de ventilation sans poussière.
- Ne laissez pas tomber ni n'insérez jamais d'objet dans les fentes de ventilation.
- Pour éviter la surchauffe, démêlez complètement le cordon électrique.
- Ne faites pas fonctionner dans des lieux où des produits aérosol (de pulvérisation) sont en cours d'utilisation ou où de l'oxygène est en cours d'administration.
- Pour débrancher, tournez toutes les commandes en position éteintes (off), puis retirez la prise de l'alimentation principale.
- Ne rangez jamais votre nettoyeur à vapeur tant qu'il est encore chaud. Il n'est pas nécessaire de vider le réservoir sauf si vous prévoyez de ne pas l'utiliser pendant une longue période.
- Ce produit est prévu pour une utilisation domestique ou commerciale.
- Avant d'allumer le nettoyeur à vapeur, veuillez vous assurer que le réservoir d'eau est plein.
- Ce produit est mis à la terre pour votre sécurité. Si vous devez utiliser un cordon prolongateur, assurez-vous que son ampérage nominal soit au minimum de 15 A et qu'il soit mis à la terre.
- N'entreposez jamais l'appareil dans une zone qui est susceptible de geler.
- Une soupape de décharge à actionnement hydraulique est installée à l'intérieur de l'appareil, elle DOIT uniquement être remplacée par une soupape identique par du personnel de service autorisé pour éviter un danger relatif à la sécurité.
- Le générateur de vapeur est installé avec un disjoncteur de surcharge de sécurité qui DOIT uniquement être réinitialisé ou remplacé par un composant identique par du personnel de service autorisé pour éviter un risque relatif à la sécurité.

- À chaque fois que le générateur de vapeur monte en température à froid, l'air à l'intérieur de l'appareil évite que la vapeur soit évacuée immédiatement. Après une minute de mise en température, réglez le bouton de régulation de la vapeur sur la position maximale et appuyez sur le bouton sous la poignée du pistolet pour expulser l'air.
- Ne mettez jamais de détergents, de parfums ou tout autre produit chimique dans le réservoir d'eau.
- Ne tentez jamais de vidanger le réservoir quand le bouilleur est chaud.

## INSTRUCTIONS ÉLECTRIQUES

Pour éviter une surcharge du circuit, ne faites pas fonctionner simultanément un autre appareil de grande puissance sur le même circuit du nettoyeur à vapeur. Si un câble prolongateur est nécessaire, un câble de 15 A nominal avec une prise polarisée doit être utilisé. Des cordons avec une spécification inférieure peuvent surchauffer et entraîner des dommages.

## INSTRUCTIONS RELATIVES À L'EAU

Votre nettoyeur à vapeur a été prévu pour être utilisé avec de l'eau courante du robinet. Afin de prolonger la durée de vie de ce produit, si vous vivez dans une zone où le niveau de dureté de l'eau est très élevé, nous recommandons d'utiliser 50% d'eau normale avec 50% d'eau distillée.

## TESTEZ D'ABORD, PUIS NETTOYEZ

Avant de nettoyer, testez d'abord les surfaces à nettoyer à la vapeur. Nous n'assumerons aucune responsabilité si des dommages sont dus au fait de ne pas avoir réalisé le test auparavant.

## DESCRIPTION DU NETTOYEUR À VAPEUR

1. Interrupteur principal
2. Panneau principal
3. Cordon électrique
4. Bouchon du réservoir d'eau
5. Poignée de transport
6. Roues
7. Orifice de sortie de raccord du tuyau flexible



- A. Témoin de vapeur prête
- B. Témoin de niveau d'eau faible
- C. 1er témoin de régulation de la vapeur
- D. 2nd témoin de régulation de la vapeur
- E. Témoin d'injection d'eau chaude
- F. Manomètre

## ACCESSOIRES AVEC LE NETTOYEUR À VAPEUR

8. Brosse rectangulaire pour sol
9. Brosse triangulaire avec poils noirs en polyester
10. Nettoyeur pour vitres avec balai-raclette de 25 cm
11. Raclette noire pour revêtement
12. Entonnoir
13. Petite brosse 30 mm avec poils noirs en polyester
14. Petite brosse 38 mm avec poils noirs en polyester
15. Tuyaux prolongateurs
16. Buse avec embout en laiton
17. Tuyau flexible de 2,45 m
18. Tampon pour brosse triangulaire
19. Clé d'ouverture de la vidange
20. Tampon pour brosse rectangulaire
21. Serviette
22. Balai raclette de 35 cm pour vitres
23. Buse en aluminum



## COMMENT UTILISER VOTRE NETTOYEUR À VAPEUR

1. Retirez le bouchon du réservoir d'eau (4), et remplissez le réservoir (4) jusqu'au maximum de 3L (10 à 11 tasses). Vissez le bouchon jusqu'à ce qu'il soit serré.
2. Connectez le cordon électrique à la prise d'alimentation électrique.
3. Connectez le tuyau flexible (17) à l'accessoire approprié que vous souhaitez utiliser.
4. Tournez l'interrupteur d'alimentation principale (1) en position I et le témoin vert s'allumera. Sur cette position, le réservoir de vapeur est automatiquement alimenté en eau via une pompe commandée électroniquement et le chauffage commence. Il est normal d'écouter des bruits pendant cette opération.
5. REMARQUE : Lorsque vous effectuez un appel de vapeur pour la première fois (après avoir mis en marche le nettoyeur à vapeur), il se peut que vous remarquiez une chute rapide de la pression. C'est normal la première fois à cause de l'air qui se trouve dans le réservoir de vapeur.
6. Après quelques minutes, le témoin lumineux de vapeur prête (A) s'allumera, indiquant que l'unité est sous pression et prête pour être utilisée.
7. Vous pouvez réguler la puissance du jet et la quantité de vapeur en basculant entre les quatre positions sur la poignée du tuyau de vapeur (17)

8. Les positions 1 à 3 sur la poignée servent uniquement à réguler la vapeur (chacune offre le double de puissance et de pression par rapport à la précédente).
9. La position 4 sur la poignée déclenche l'injection d'eau chaude. Cette fonction mélange de la vapeur et de l'eau chaude pour générer un jet de nettoyage très puissant.
10. Durant l'utilisation, le témoin lumineux vert (A) s'allumera et s'éteindra alternativement. C'est normal, cela indique que la vapeur est en cours de génération dans la chambre à vapeur.
11. Pour éteindre l'unité, tournez l'interrupteur d'alimentation principale (1) sur la position 0. Il est recommandé de débrancher l'unité lorsqu'elle n'est pas utilisée. Laissez refroidir environ 30 minutes avant l'entreposage. Tout l'eau restante dans le générateur de vapeur peut y être laissée de 1 à 3 mois. N'entreposez jamais l'unité dans une zone où la température est inférieure à zéro sans avoir d'abord vidanger l'eau du réservoir, car cela peut endommager le réservoir.
12. REMARQUE : Nous recommandons de vidanger le réservoir uniquement quand le chauffe-eau est froid. Retirez le bouchon de vidange en dessous de la machine en utilisant une pièce de monnaie, dévissez complètement l'obturateur de vidange du chauffe-eau en utilisant une clé hexagonale de 20 mm (19). Après la vidange, remettez l'écrou et le bouchon.
13. La fréquence de vidange dépend de la dureté de l'eau. Au minimum, elle doit être effectuée tous les 1 à 3 mois. Pour les instructions de nettoyage, veuillez vous référer à la page 8.

## *CE MODÈLE EST FOURNI AVEC LES CARACTÉRISTIQUES SUIVANTES*

### TÉMOIN DE VAPEUR PRÊTE (A)

Une lumière verte signale que la vapeur a atteint la pression de service maximale et que l'unité est prête à être utilisée.

### TÉMOIN DE NIVEAU D'EAU FAIBLE (B)

Un lumière rouge d'avertissement de niveau d'eau faible signale que le réservoir d'eau doit être rempli. Si vous souhaitez continuer à nettoyer à la vapeur, dévissez le bouchon du réservoir d'eau (4) et remplissez le réservoir.

### TÉMOINS DE RÉGULATIONS DE LA VAPEUR ET COMMANDES DE LA POIGNÉE

Les deux témoins lumineux jaunes signalent les trois possibles régulations de la quantité/puissance de la vapeur. Le premier témoin allumé de régulation de la vapeur (C) correspond à la quantité minimum de vapeur, position 1 sur la poignée (G). Le second témoin allumé de régulation (D) correspond à la quantité moyenne de vapeur, position 2 sur la poignée (H). Les deux témoins allumés ensemble (C + D) correspondent à la quantité maximum de vapeur, position 3 sur la poignée (I).

## TÉMOIN D'INJECTION D'EAU CHAUDE ET COMMANDES DE LA POIGNÉE

Ce témoin lumineux jaune signale l'activation de la fonction d'injection d'eau chaude. Quand ce témoin (E) est allumé (position 4 sur la poignée (J)), la vapeur est mélangée avec de l'eau chaude, la rendant idéale pour les applications de rinçage.

## UTILISATION DES ACCESSOIRES

### CONNEXION DES ACCESSOIRES

Soulevez le couvercle articulé (7) sur la partie avant inférieure du générateur de vapeur et connectez le raccord de tuyau (17) en appuyant sur le bouton rouge et en poussant fermement vers l'intérieur jusqu'à ce qu'un « clic » soit entendu qui indique que le raccord de tuyau est complètement inséré. Le tuyau DOIT être raccordé correctement, sinon l'électrovalve ne fonctionnera pas et la vapeur ne passera pas dans le tuyau ou les accessoires. Pour faire passer de la vapeur, activez le bouton situé sur le dessous de la poignée.

## GRANDE BROSSE RECTANGULAIRE POUR SOL

Pour le nettoyage des sols durs, fixez les tubes prolongateurs (15) à l'adaptateur d'angle pour utiliser la grande brosse rectangulaire (8). Fixez un tissu sec à la brosse pour un nettoyage plus efficace des sols durs ou le nettoyage de tapis.

## BROSSE TRIANGULAIRE/POUR REVÊTEMENT

La brosse triangulaire (9) est utilisée quand il est impossible ou difficile d'utiliser la grande brosse.

### REVÊTEMENT, RIDEAUX, LITERIE, ETC.

Couvrez la brosse avec un tissu sec et propre en le fixant grâce au ressort. Effectuez un mouvement rapide en avant et en arrière, en vous assurant que vous ne saturez pas le matériau de vapeur.

**IMPORTANT :** Avant le nettoyage, effectuez une vérification de la couleur dans une zone qui n'est pas facilement visible avant de commencer. Reliable Corporation n'est pas tenue responsable quand ces instructions ne sont pas totalement respectées.

## RACLETTTE

La raclette (10) facilite le nettoyage et le dégraissage des vitres. Fixez la raclette et nettoyez à la vapeur en retirant la saleté avec la partie en caoutchouc du balai. Un balai plus large (22) est fourni pour les grandes fenêtres.

**ATTENTION :** Lorsqu'il fait froid, chauffez les vitres avec le nettoyeur pour vitres à une distance de 2" à 4" (5 à 10 cm) et avec très peu de vapeur avant de commencer vraiment le nettoyage (pour éviter des dommages possibles à la vitre).

## *BUSE HAUTE PRESSION AVEC PETITE BROSSE RONDE (NYLON, LAITON, ACIER INOXYDABLE)*

La buse haute pression peut être utilisée avec ou sans l'une des petites brosses rondes fournies avec le nettoyeur à vapeur. Pour les éléments qui sont particulièrement sensibles aux rayures, il est préférable d'utiliser la buse sans brosse. Pour toutes les autres zones, commencez avec la brosse en nylon (moins abrasive) et travaillez avec précaution en passant à la brosse en laiton puis à celle en acier inoxydable (en option). Il est toujours préférable de prendre des précautions lors de l'utilisation de brosses pour éviter des dommages ou des rayures.

L'utilisation d'une buse de vapeur seule est particulièrement adaptée pour le nettoyage et le dégraissage de nombreuses surfaces de travail, hottes de ventilation, portes vitrées des fours, grilles de ventilation, le mobilier de cuisine, les éviers en acier inoxydable ou en émail, les lavabos, les baignoires, la robinetterie (pour retirer le tartre et les résidus d'eau), les portes, les cadres métalliques, les jantes de véhicules, les zones des animaux de compagnie, etc.

La brosse en nylon, grâce à sa douceur, est idéale pour retirer la saleté dans les coulis, les éviers et les autres surfaces où vous avez besoin d'une action légère de frottement, mais devez être prudent pour ne pas rayer la surface.

Des travaux de nettoyage plus difficiles peuvent nécessiter l'utilisation de la brosse en laiton qui est fournie. Veuillez vous assurer de faire attention à ne pas rayer la surface avec cet outil. Le laiton est plus dur que le nylon, mais plus tendre que l'acier inoxydable. Pour des surfaces (coulis par exemple) où la saleté n'est pas correctement délogée avec la brosse en nylon, l'utilisation prudente de la brosse en laiton peut donner de meilleurs résultats.

Pour les tâches de nettoyage les plus difficiles (accumulation de graisse brûlée, rouille, grille de barbecue, coulis très sale), nous vous recommandons d'acheter la brosse en acier inoxydable en option qui est disponible chez votre distributeur.

Lors de l'utilisation de la buse de vapeur avec ou sans brosse, vous aurez besoin d'un tissu pour essuyer l'humidité et la saleté qui a été soulevée lors du nettoyage.

## *EMBOUT EN ALUMINUM*

C'est un outil à très haute pression (23) avec un long tuyau en aluminium (extrêmement chaud). Cet outil offre une pression supérieure et un jet de vapeur plus chaud que tout autre embout. Ses propriétés rendent cet outil particulièrement adapté pour le nettoyage de la saleté coriace qui ne requiert pas de brosse.

## *RACCORDEMENTS DES ACCESSOIRES*

Si les connexions de l'accessoire s'assèchent après un usage intensif, disposez une petite quantité de lubrifiant (vaseline) autour des joints toriques sur le raccord mâle.



## REEMPLISSAGE DU RÉSERVOIR

Si sur le panneau principal (2), le témoin d'avertissement du niveau d'eau (B) s'allume lors de l'utilisation et que vous souhaitez continuer d'utiliser le nettoyeur à vapeur, vous aurez besoin de suivre ces étapes :

1. Dévissez le bouchon noir du réservoir d'eau (4)
2. Remplissez le réservoir avec de l'eau (voir les instructions relatives à l'eau pour plus de détails).
3. Remettez le bouchon du réservoir (4).

Si vous utilisez le chariot avec la bonbonne d'eau externe raccordée au bouchon du réservoir d'eau, suivez les mêmes étapes listées ci-dessus mais pour la bonbonne d'eau.

## MAINTENANCE DU CHAUFFE-EAU

Pour maintenir votre nettoyeur à vapeur en bon état et pour garantir un fonctionnement constant, nous vous recommandons de nettoyer le chauffe-eau une à deux fois par an, en fonction de la dureté de l'eau.

### INSTRUCTIONS DE NETTOYAGE

**ATTENTION :** Avant de vidanger le chauffe-eau, veuillez vous assurer que la machine est à température ambiante et qu'elle est déconnectée de la source d'alimentation.

1. Retirez le bouchon de vidange en bas de la machine à l'aide d'une pièce de monnaie
2. Dévissez complètement l'écrou de vidange en laiton du chauffe-eau en utilisant la clé hexagonale (19) de 20 mm.
3. Après le nettoyage, resserrez bien l'écrou de vidange et remettez le bouchon.

REMARQUE : si vous constatez que l'eau qui sort du chauffe-eau est pleine de saleté/calcaire, nous vous suggérons de répéter cette opération plus fréquemment, peut-être trois à quatre fois par an.

## DESCRIPTION TECHNIQUE

120 V ~ Puissance	1750 W
Capacité du réservoir d'eau froide	3,1 L
Capacité du chauffe-eau	1,6 L
Pression de fonctionnement	6 bar
Système de vapeur continue (SVC)	Oui
Régulations de la vapeur	3
Valve de sûreté	Oui
Injection d'eau chaude	Oui
Filtre magnétique anti-calcaire	Oui
Certifications	cETLus

## DÉPANNAGE

N'utilisez pas le nettoyeur à vapeur avec un cordon électrique ou une prise endommagé(e), ou si le nettoyeur à vapeur est tombé ou est endommagé. Pour éviter tout risque de choc électrique, ne démontez pas ou ne tentez pas de réparer l'unité par vous-même. Renvoyez l'unité à Reliable Corporation (voir garantie) pour une révision, une réparation ou un remplacement.

PROBLÈME	CAUSES POSSIBLES	SOLUTION
Aucune vapeur ne passe à travers les raccords de tuyauterie.	<ol style="list-style-type: none"> <li>1. L'unité de vapeur n'est pas allumée.</li> <li>2. Le réservoir d'eau est vide.</li> <li>3. L'unité n'est pas branchée.</li> <li>4. Le générateur n'est pas entièrement réchauffé.</li> </ol>	<ol style="list-style-type: none"> <li>1. Allumez l'interrupteur principal (1)</li> <li>2. Si le témoin lumineux rouge (B) clignote en s'allumant puis en s'éteignant et que vous entendez un bruit, remplissez le réservoir.</li> <li>3. Branchez l'unité sur l'alimentation électrique</li> <li>4. Attendez que le témoin lumineux vert (A) s'allume.</li> </ol>
Des gouttes d'eau tombent des raccords.	<ol style="list-style-type: none"> <li>1. L'unité n'est pas entièrement réchauffée.</li> <li>2. De la condensation a été créée pendant la période de non-utilisation.</li> </ol>	<ol style="list-style-type: none"> <li>1. Attendez que le témoin lumineux (A) s'allume.</li> <li>2. Laissez l'eau circuler à travers le circuit jusqu'à ce que la vapeur sorte.</li> </ol>
L'eau qui en sort est sale.	<ol style="list-style-type: none"> <li>1. Du tartre s'est peut-être accumulé.</li> </ol>	<ol style="list-style-type: none"> <li>1. Suivez les instructions de nettoyage du guide.</li> </ol>
Pas assez de pression de vapeur.	<ol style="list-style-type: none"> <li>1. Le cadran sur la poignée est peut-être réglé sur une position trop faible.</li> </ol>	<ol style="list-style-type: none"> <li>1. Tournez le cadran jusqu'à ce que la pression souhaitée soit atteinte.</li> </ol>
<p>(PROBLÈME) Il n'y a pas de vapeur, tous les témoins restent allumés et la pompe fonctionne continuellement.            (CAUSES POSSIBLES) 1. Vous utilisez trop de vapeur (pos. 4). 2. La pompe à eau est cassée.            (SOLUTION) 1. Coupez l'interrupteur principal (1) attendez 1 minute puis allumez de nouveau et attendez que la lumière verte (A) s'allume. 2) Contactez Reliable Corporation pour une révision.</p>		

## INSTRUCTIONS D'ASSEMBLAGE DU CHARIOT EP1000

1. Base du chariot
2. Plateau de transport des accessoires
3. Poignée du chariot
4. Roues pivotantes (2)
5. Roues arrière (2)
6. Protections des roues arrière en chrome (4)
7. Écrous de sécurité (2)
8. Rondelles (4)
9. Protections des roues en laiton (2)
10. Capuchons de fixation (4)
11. Bonbonne d'eau avec robinet
12. Tuyau transparent en silicone
13. Bouchon
14. Clé

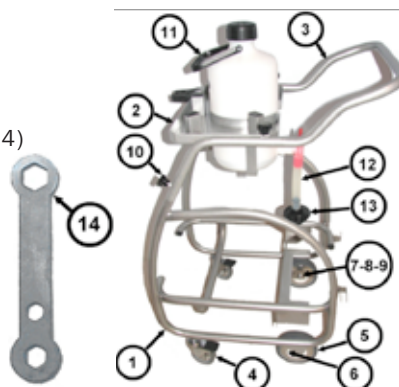




Fig. 1

1. Retournez le chariot à l'envers afin de visser facilement les roues arrière pivotantes dans les trous filetés (Fig. 1).



Fig. 2

2. Assemblez la roue dans l'ordre suivant : rondelle, protection de roue en chrome, roue arrière, protection de roue en laiton, protection de roue en chrome, rondelle et fixez-les avec un écrou de sécurité sur l'arbre (fig. 2). Vissez à l'aide de la clé, veuillez faire attention à ne pas trop les serrer.



Fig. 3

3. Maintenez le chariot à l'endroit et placez le nettoyeur à vapeur dans celui-ci. Penchez la machine vers l'avant afin de placer les roues avant dans leur emplacement. Cela permettra aussi un positionnement correct des roues arrière (fig. 3)



Fig. 4

4. Mettez le plateau pour accessoires sur la base du chariot et vissez les capuchons de fixation (fig. 4).



Fig. 5

5. Les capuchons de fixation doivent être serrés jusqu'à ce que la structure du chariot soit sûre (fig. 5).



Fig. 6

6. Vissez le bouchon sur le réservoir du nettoyeur à vapeur. (fig. 6)



Fig. 7

7. Tournez le robinet du réservoir en position OFF (éteinte) et remplissez d'eau le réservoir (fig. 7). Placez le réservoir d'eau sur le plateau des accessoires et connectez le tuyau en silicone sur le bouchon de la machine, en vous assurant qu'il soit bien raccordé pour éviter les fuites d'eau.

NOTE : Il est important de fermer le robinet quand la machine est arrêtée.



Fig. 8

8. Ouvrez le robinet.

Veillez remarquer : si le robinet retourne en position OFF, ou s'il se tord, tournez le tuyau en silicone près du support en caoutchouc dans la direction d'ouverture du robinet.

## INFORMATIONS SUPPLÉMENTAIRES

*LE CIRCUIT D'EAU DU CHARIOT NE REQUIERT PAS DE RETIRER LA BONBONNE LORS DU REMPLISSAGE.*

Lors de l'utilisation, NE tirez PAS sur le tuyau à vapeur avec FORCE, cela pourrait déplacer la machine sur le chariot.

Si vous devez mettre la BONBONNE D'EAU sur une surface PLANE, tournez le robinet en position horizontale (fig. 8).

Reliable Corporation (« Reliable ») garantit à l'acheteur original de ce produit que chaque produit vendu par Reliable (un « Produit Reliable ») est exempt de défauts de matériels et de fabrication pour une période d'un an à partir de la date d'achat, s'il est utilisé et maintenu correctement. Soumis aux conditions et limitations établies ci-après, Reliable réparera ou remplacera toute pièce d'un produit Reliable qui s'avère défectueuse en raison d'une fabrication incorrecte ou de matériaux défectueux. Si le Produit Reliable défectueux n'est plus disponible et ne peut pas être réparé efficacement ou remplacé par un modèle identique, Reliable remplacera le Produit Reliable défectueux par un Produit Reliable actuel de valeur équivalente ou supérieure. Les pièces réparées ou les produits remplacés seront fournis par Reliable sur la base d'un échange, et seront soit nouveaux ou remis à neuf pour être fonctionnellement équivalents aux nouveaux. Si Reliable n'est pas en mesure de réparer ou de remplacer le Produit Reliable, elle remboursera la valeur actuelle du Produit Reliable au moment où la réclamation de garantie est réalisée.

Cette garantie limitée ne couvre aucun dommage subi par un Produit Reliable qui résulte d'une installation incorrecte, un accident, un abus, une mauvaise utilisation, une catastrophe naturelle, une alimentation électrique insuffisante ou excessive, de conditions mécaniques ou environnementales anormales, de l'usure et de la détérioration résultant de l'utilisation normale du produit, ou tout démontage, réparation ou modification non autorisée. Cette garantie limitée ne s'étend à aucun dommage indirect ou accessoire dont peut être victime un utilisateur ou suite à l'utilisation d'un Produit Reliable, y compris mais sans s'y limiter, toute responsabilité pour des réclamations de tiers pour des dégâts et se limite au montant payé par l'acheteur original du Produit Reliable auquel cette protection de garantie limitée s'applique. Cette garantie limitée ne s'applique pas aux produits qui ont été modifiés ou dont les numéros de séries sont manquants, ou aux produits non achetés directement auprès de Reliable ou d'un revendeur autorisé pour vendre des Produits Reliable.

Cette garantie limitée est l'unique garantie qui s'applique à tout Produit Reliable, elle remplace toutes conditions qui peuvent être contenues dans un autre document ou bon d'achat et ne peut pas être transformée ou modifiée, sauf dérogation express écrite de Reliable.

Pour obtenir une réparation ou un remplacement en vertu des conditions de cette garantie, veuillez contacter notre service à la clientèle au 1-800-268-1649 ou par courriel à [support@reliablecorporation.com](mailto:support@reliablecorporation.com).

Il vous sera demandé d'envoyer le reçu original par télécopie ou courriel. Le reçu doit prouver que vous êtes l'acheteur original, que le produit a été acheté directement chez nous ou chez un revendeur autorisé par Reliable et que la réclamation de garantie est effectuée pendant la période de garantie. Un numéro d'autorisation de renvoi (N° RA) vous sera donné et il vous sera demandé d'expédier le produit défectueux accompagné de la preuve d'achat et du N° RA, frais d'assurances prépayés à l'adresse suivante :

Reliable Corporation, 5-100 Wingold Avenue, Toronto, ON M6B 4K7. Les expéditions avec fret à destination seront refusées. Le risque de perte ou d'endommagement lors du transit sera assumé par le client. Une fois que Reliable reçoit le produit défectueux, elle initiera la réparation ou le remplacement.

*ENVIROMATE PRO EP1000  
SISTEMA DE LIMPIEZA A VAPOR  
MANUAL DE INSTRUCCIONES  
ESPAÑOL*

## FELICITACIONES

*Nos gustaría agradecerle y felicitarlo por haber comprado la estupenda limpiadora a vapor de Reliable Corporation.*

*La limpieza con vapor de agua en seco puede profundizar la limpieza e higienizar su hogar o lugar de trabajo, en forma segura y efectiva. El vapor de agua es un elemento eficaz que elimina los ácaros, las bacterias y las manchas de humedad. Es perfecto para limpiar, higienizar y desodorizar todos los ambientes de su hogar, en especial los baños y la cocina. Para los miembros de su familia que son sensibles a los productos químicos, la limpieza con vapor de agua es una excelente manera de mantener limpio su hogar sin utilizar sustancias químicas potencialmente dañinas. Jaulas, peceras, áreas para mascotas; tapicería, cortinaje y ropa de cama, todo queda más limpio y más seguro para usted, su familia y sus mascotas cuando utiliza vapor de agua.*

*Para su seguridad y con el propósito de disfrutar de las ventajas de este producto, dedique algunos minutos a leer todas las medidas de protección e instrucciones para el cuidado del equipo. Tenga a mano este manual y revise la tarjeta del certificado de garantía del producto.*

*Aviso: su nueva limpiadora a vapor puede tener pequeñas cantidades de agua ya que todas las unidades son probadas en la fábrica antes de su envío.*



# INSTRUCCIONES DE SEGURIDAD IMPORTANTES

- Cuando utilice su limpiadora a vapor Reliable, siempre siga las precauciones básicas de seguridad. Lea atentamente estas instrucciones porque en ellas se ofrece información importante en materia de instalación, uso y cuidado del equipo.
- Utilice la limpiadora a vapor únicamente con el fin para el cual se indica.
- Para protegerse del riesgo de sufrir una descarga eléctrica, no sumerja la limpiadora a vapor en agua u otros líquidos.
- APÁGUE siempre la limpiadora a vapor antes de enchufarla o desenchufarla del tomacorriente. Nunca jale del cable para desconectarlo del tomacorriente; tome el enchufe y tire de él para desconectarlo.
- Evite que el cable entre en contacto con superficies calientes. Antes de guardar la limpiadora a vapor, deje que se enfríe por completo. Cuando no utilice la limpiadora, enrolle el cable en los soportes que están ubicados en la parte posterior del equipo.
- No ponga en funcionamiento la limpiadora a vapor si el cable o el enchufe están dañados o si el equipo ha sufrido una caída o está dañado. El uso del equipo en estas condiciones anula toda garantía. Comuníquese con el lugar de compra para iniciar el procedimiento de reparación.
- Es necesario supervisar cualquier equipo que se utilice cerca de niños o que lo utilicen ellos. No deje la limpiadora a vapor encendida sin supervisión.
- No use este equipo cerca de explosivos o gases inflamables.
- Mantenga limpias las hendiduras de ventilación.
- Jamás abandone o introduzca objetos dentro de las hendiduras de ventilación.
- Para evitar el recalentamiento del equipo, desenrede el cable por completo.
- No ponga en funcionamiento el equipo cuando se utilicen productos en aerosol (pulverizadores) o se administre oxígeno.
- Para desconectar, apague todos los controles y luego desenchufe el equipo de la fuente de poder principal.
- No guarde la limpiadora a vapor si aún está caliente. No es necesario vaciar el depósito de agua a menos que no vaya a utilizar el equipo durante un largo período de tiempo.
- Este producto está hecho para uso doméstico o comercial.
- Antes de encender la limpiadora a vapor, asegúrese de que el depósito de agua esté lleno.
- Para la seguridad del usuario, este producto tiene puesta a tierra. Si es necesario un cable de extensión, asegúrese de que su capacidad normal sea de al menos 15 amperios y que tenga puesta a tierra.
- Jamás guarde el aparato en un sitio que posiblemente se congele.
- El aparato está equipado con una válvula de descompresión hidráulica de seguridad, que DEBE ser reemplazada por una válvula idéntica para prevenir cualquier peligro de seguridad, lo cual estará a cargo del personal de servicio autorizado.
- Como medida de seguridad, el generador de vapor está equipado con un interruptor automático de seguridad que, para evitar peligros, DEBE ser restablecido o reemplazado únicamente por un componente idéntico y por personal de servicio autorizado.

- Cada vez que la temperatura en el generador de vapor aumenta, el aire que se encuentra dentro del aparato evita la salida inmediata del vapor. Una vez transcurrido un minuto del calentamiento, lleve la perilla reguladora de vapor a la posición máxima y presione el botón ubicado debajo del mango de la pistola para expulsar el aire.
- Nunca coloque detergentes, perfumes u otras sustancias químicas en el depósito de agua.
- No intente jamás vaciar el depósito cuando la temperatura de la caldera sea elevada.

## INSTRUCCIONES PARA LA CONEXIÓN ELÉCTRICA

Para evitar una sobrecarga en el circuito, no ponga en funcionamiento otro aparato de alto vataje, simultáneamente en el mismo circuito de la limpiadora a vapor. Si es necesario un cable de extensión, debe utilizarse uno de 15 amperios y enchufe polarizado. Los cables con valores nominales más bajos pueden recalentarse y causar daños.

## INSTRUCCIONES PARA EL AGUA

Su limpiadora a vapor ha sido diseñada para utilizarla con agua del grifo. Para extender la vida útil de este producto, si en el lugar donde usted reside el nivel de dureza del agua es muy alto, recomendamos usar 50% de agua normal y 50% de agua destilada.

## PRIMERO REALICE LA PRUEBA, LUEGO LIMPIE

Antes de limpiar, haga una prueba a las superficies a tratar con vapor. No asumiremos responsabilidad alguna por los daños a causa de no realizar una prueba previa.

## DESCRIPCIÓN DE LA LIMPIADORA A VAPOR

1. Interruptor principal
  2. Panel principal
  3. Cable eléctrico
  4. Tapón del depósito de agua
  5. Asa de transporte
  6. Ruedas
  7. Salida de conexión de la manguera flexible
- A. Luz indicadora de vapor
  - B. Luz indicadora de bajo nivel de agua
  - C. 1ra luz indicadora de regulación del vapor
  - D. 2da luz indicadora de regulación del vapor
  - E. Luz indicadora de inyección de agua caliente
  - F. Manómetro



## ACCESORIOS SUMINISTRADOS CON LA LIMPIADORA A VAPOR

8. Cepillo rectangular para pisos
9. Cepillo triangular con cerdas negras de poliéster
10. Limpiador de ventanas con escobilla de goma de 25 cm
11. Frotador negro para tapicería
12. Embudo
13. Cepillo pequeño de 30 mm con cerdas negras de poliéster
14. Cepillo pequeño de 38 mm con cerdas negras de poliéster
15. Tubos de extensión
16. Boquilla con punta de bronce
17. Manguera flexible de 2.45 m
18. Almohadilla para cepillo triangular
19. Llave de apertura del drenaje
20. Almohadilla para cepillo rectangular
21. Paño
22. Escobilla de goma de 35 cm para ventanas
23. Boquilla de aluminio



## CÓMO UTILIZAR SU LIMPIADORA A VAPOR

1. Retire el tapón del depósito de agua (4) y llene el tanque (4) hasta alcanzar el nivel máximo de 3 L (10 a 11 tazas). Asegure el tapón hasta que quede bien ajustado.
2. Conecte el cable al tomacorriente de la fuente de poder principal.
3. Conecte la manguera flexible (17) al accesorio adecuado que desee utilizar.
4. Gire el interruptor principal (1) a la posición I, y la luz verde se encenderá. En esta posición, el depósito de vapor se llena automáticamente de agua a través de la bomba electrónica, y comienza el proceso de calentamiento. Es bastante normal escuchar ruidos durante este procedimiento.
5. NOTA: cuando usted utilice el vapor por primera vez (luego de haber encendido la limpiadora a vapor), es posible que advierta un descenso rápido de la presión. Esto es normal en el primer uso debido al ingreso del aire en el depósito de vapor.
6. Al cabo de unos pocos minutos, se encenderá la luz indicadora de vapor disponible (A), la cual señala que la unidad se encuentra presurizada y lista para ser usada.
7. Con las cuatro posiciones que se encuentran en el asa de la manguera de vapor (17) usted puede regular la potencia y la cantidad de vapor.

8. Las posiciones del 1 al 3 en el asa son únicamente para regular el vapor (cada una ofrece el doble de la potencia y la presión que la anterior).
9. La posición 4 del asa activa la inyección de agua caliente. Esta función mezcla el vapor y el agua caliente para producir un chorro limpiador muy potente.
- 10 Durante el uso de la limpiadora, la luz verde (A) se enciende o se apaga de forma alternativa. Esto es normal e indica que en la cámara correspondiente se está generando vapor.
11. Para apagar el equipo, lleve el interruptor principal (1) a la posición 0. Es recomendable desenchufar el equipo si no está en uso. Antes de guardarlo, deje que el equipo se enfríe durante aproximadamente 30 minutos. El agua restante en el generador de vapor puede permanecer allí de 1 a 3 meses. Nunca guarde el equipo en un lugar donde la temperatura sea bajo cero, sin antes vaciar el depósito de agua, ya que este último puede dañarse.
12. NOTA: recomendamos vaciar el depósito sólo cuando la caldera esté fría. Con la ayuda de una moneda, retire el tapón de drenaje ubicado en la base de la máquina; desenrosque por completo el tapón de drenaje de la caldera con una llave hexagonal de 20 mm (19). Luego de drenar, vuelva a colocar la tuerca y el tapón.
13. La frecuencia del drenaje depende de la dureza del agua. Como mínimo, debe hacerse cada 1 a 3 meses. Para conocer las instrucciones de limpieza, consulte a la página 8.

## *ESTE MODELO CUENTA LAS SIGUIENTES FUNCIONES*

### *LUZ INDICADORA DE VAPOR DISPONIBLE (A)*

La luz verde señala que el vapor ha alcanzado la presión máxima de trabajo y que el equipo está listo para ser utilizado.

### *LUZ TESTIGO DE BAJO NIVEL DE AGUA (B)*

La luz roja de bajo nivel de agua advierte sobre la necesidad de volver a llenar el depósito de agua. Si usted desea continuar limpiando con vapor, desenrosque el tapón del depósito de agua (4) y complete el nivel de agua en el depósito.

### *LUCE INDICADORAS DE LA REGULACIÓN DEL VAPOR Y CONTROL EN EL ASA*

Las dos luces amarillas indican las tres posibles regulaciones en cuanto a cantidad y potencia del vapor. La primera luz encendida que señala la regulación del vapor (C) corresponde a la cantidad mínima de vapor, posición 1 en el asa (G). La segunda luz reguladora (D) corresponde a la cantidad media de vapor, posición 2 en el asa (H). Ambas luces encendidas (C + D) indican la cantidad máxima de vapor, posición 3 en el asa (I).

### *LUZ INDICADORA DE INYECCIÓN DE AGUA CALIENTE Y CONTROL EN EL ASA*

Esta luz amarilla indica la activación de la función de inyección de agua caliente. Cuando esta luz (E) se enciende, posición 4 en el asa (J), el vapor se mezcla con agua caliente y se convierte en un elemento ideal para realizar enjuagues.

# USO DE LOS ACCESORIOS

## CONEXIÓN DE LOS ACCESORIOS

Levante la tapa articulada (7) ubicada al frente y en la parte inferior del generador de vapor. Para acoplar el conector de la manguera (17), pulse el botón rojo y manténgalo presionado con fuerza hasta escuchar un "clic", sonido que indica que el conector fue colocado correctamente. La manguera DEBE quedar conectada adecuadamente, de lo contrario la válvula de solenoide no funcionará y el vapor no será conducido por la manguera o los accesorios. Para liberar el vapor, active el botón ubicado en la parte inferior del asa.

## CEPILLO RECTANGULAR GRANDE PARA PISOS

En el caso de limpiar pisos, acople los tubos de extensión (15) al adaptador angular para utilizar el cepillo grande rectangular (8). Coloque un paño seco en el cepillo para lograr una limpieza más efectiva de pisos y superficies alfombradas.

## CEPILLO TRIANGULAR/PARA TAPICERÍA

El cepillo triangular (9) se usa cuando resulta imposible o incómodo utilizar el cepillo grande.

*TAPICERÍA, CORTINADOS, ROPA DE CAMA, ETC.*

Cubra el cepillo con un paño limpio y seco, sujete este último con la ayuda de la pieza elástica. Aplique un movimiento rápido de atrás hacia adelante y asegúrese de no sobresaturar el material con vapor.

*IMPORTANTE: antes de limpiar, realice primero una prueba de color en un área poco visible para corroborar que no haya daño. Reliable Corporation no se hace responsable cuando no se siguen por completo estas pautas.*

## ESCOBILLA DE GOMA

La escobilla de goma (10) facilita la limpieza y el desengrase de las ventanas. Conecte la escobilla a la limpiadora a vapor y elimine la suciedad con la parte de goma del accesorio. Para ventanas más grandes, se proporciona una pieza más ancha (22).

*PRECAUCIÓN: en clima frío, antes de comenzar con la limpieza (a fin de evitar posibles daños en la ventana), aumente la temperatura de los vidrios utilizando el limpiador de ventanas, desde una distancia de 2 a 4 pulgadas y un flujo de vapor bajo.*

## *BOQUILLA DE ALTA PRESIÓN CON CEPILLO REDONDO PEQUEÑO (NYLON, BRONCE, ACERO INOXIDABLE)*

La boquilla para alta presión puede utilizarse con o sin uno de los pequeños cepillos redondos que se proporcionan con la limpiadora a vapor. Para piezas que puedan rayarse fácilmente, lo mejor es usar la boquilla sin cepillo. En el resto de las áreas, comience con el cepillo de nylon (menos abrasivo) y trabaje con cuidado, cambie por el de bronce y luego por el de acero inoxidable (opcional). Siempre es mejor ser cuidadoso al emplear los cepillos, para evitar daños o rayado.

El uso de la boquilla de vapor sola, es muy bueno para limpiar y desengrasar varias superficies de trabajo, campanas de ventilación, puertas transparentes de hornos, rejillas de ventilación, muebles de cocina, fregaderos de acero inoxidable o esmaltados, lavatorios, bañeras, grifos (para eliminar sarro y sedimentos), puertas, marcos metálicos, llantas de automóviles, espacios ocupados por mascotas, etc.

El cepillo de nylon, por su suavidad, es ideal, ya que elimina la suciedad de lechadas de cemento, sumideros y otras superficies donde usted necesita lavar suavemente el área, pero con el cuidado de no rayarla.

En los casos de lavados más difíciles, puede ser necesario utilizar el cepillo de bronce que se provee. Asegúrese de tomar los recaudos para evitar rayar la superficie con esta herramienta. El bronce es más duro que el nylon, pero más suave que el acero inoxidable. Para las superficies (por ejemplo, en lechadas de cemento) donde el cepillo de nylon no logra levantar la suciedad en forma adecuada, el uso cuidadoso del cepillo de bronce puede ofrecer mejores resultados.

Para las tareas de limpieza más difíciles (grandes acumulaciones de grasa, óxido, parrillas, lechadas de cemento muy sucias), le recomendamos adquirir el cepillo de acero inoxidable opcional, que está disponible a través de su distribuidor.

Cuando utilice la boquilla de vapor con o sin los cepillos, usted necesitará un paño para secar la humedad y la suciedad que se desprende al limpiar.

## *BOQUILLA DE ALUMINIO*

Esta boquilla es una herramienta que tolera presiones muy altas (23), con un largo tubo de aluminio (extremadamente caliente). Esta herramienta suministra una presión más elevada y un chorro de vapor más caliente que cualquier otra boquilla. Sus propiedades la convierten en una herramienta muy adecuada para eliminar la suciedad rebelde sin necesitar cepillos.

## *UNIONES DE LOS ACCESORIOS*

Si las conexiones de los accesorios se secan luego de un uso intensivo, aplique una cantidad pequeña de lubricante (Vaselina) en las juntas tóricas de la conexión macho.

## LLENADO DEL DEPÓSITO

Si durante el uso se enciende en el panel de control (2) la luz indicadora de bajo nivel de agua (B) y si desea continuar limpiando con vapor, deberá seguir los siguientes pasos:

1. Destornillar el tapón negro del depósito de agua (4).
2. Llenar con agua el depósito (ver instrucciones respecto del agua para obtener más detalles).
3. Volver a colocar el tapón en el depósito (4).

Si usted está utilizando el carro con el tubo de agua externo conectado al tapón del depósito de agua, siga los mismos pasos enumerados arriba pero en el tubo de agua.

## MANTENIMIENTO DE LA CALDERA

Para mantener en buenas condiciones su limpiadora a vapor y con el propósito de asegurar un rendimiento constante, le recomendamos limpiar la caldera una o dos veces al año, según la dureza del agua.

### INSTRUCCIONES DE LIMPIEZA

*ATENCIÓN: antes de vaciar la caldera, asegúrese de que la máquina esté a temperatura ambiente y desconectada de la fuente de energía.*

1. Con la ayuda de una moneda, retirar el tapón de drenaje que se encuentra en la base de la máquina.
2. Destornillar por completo la tuerca de drenaje de bronce de la caldera, con una llave hexagonal de 20 mm (19).
3. Después de limpiar, enroscar y cerrar la tuerca de drenaje y volver a colocar el tapón.

NOTA: si usted nota que el agua que sale de la caldera está llena de suciedad o piedra caliza, le sugerimos repetir esta operación con más frecuencia, quizá tres a cuatro veces al año.

## DESCRIPCIÓN TÉCNICA

120 V ~ de Potencia	1750 W
Capacidad del depósito de agua fría	3.1 L
Capacidad de la caldera	1.6 L
Presión de trabajo	6 bares
Sistema de vapor continuo (CSS)	Sí
Opciones para regular el vapor	3
Válvula de seguridad	Sí
Inyección de agua caliente	Sí
Filtro magnético para piedra caliza	Sí
Certificaciones	cETLus

## DETECCIÓN Y RESOLUCIÓN DE PROBLEMAS

No ponga en funcionamiento la limpiadora a vapor si el cable o el enchufe están dañados o si el equipo ha sufrido una caída o está dañado. Para evitar el riesgo de sufrir una descarga eléctrica, no desarme o intente reparar el equipo sin ayuda. Regrese el equipo a Reliable Corporation (consulte la garantía) para su examen, reparación o reemplazo.

PROBLEMA	CAUSAS POSIBLES	SOLUCIÓN
Los accesorios correspondientes no están liberando vapor.	<ol style="list-style-type: none"> <li>1. El equipo de vapor no está encendido.</li> <li>2. El depósito de agua está vacío.</li> <li>3. El equipo no está enchufado.</li> <li>4. El generador no se ha calentado por completo.</li> </ol>	<ol style="list-style-type: none"> <li>1. Encienda el interruptor principal (1).</li> <li>2. Si la luz roja (B) se enciende y apaga en forma intermitente y usted escucha un sonido, llene el depósito de agua.</li> <li>3. Enchufe el equipo a un tomacorriente.</li> <li>4. Espere que la luz verde (A) se encienda.</li> </ol>
Gotea agua de las conexiones.	<ol style="list-style-type: none"> <li>1. El equipo no se ha calentado por completo.</li> <li>2. Se produjo condensación debido a la falta de uso.</li> </ol>	<ol style="list-style-type: none"> <li>1. Espere que la luz (A) se encienda.</li> <li>2. Deje correr agua por el sistema hasta que salga vapor.</li> </ol>
Sale agua sucia.	<ol style="list-style-type: none"> <li>1. Puede existir acumulación de sarro.</li> </ol>	<ol style="list-style-type: none"> <li>1. Siga las instrucciones de limpieza consignadas en el manual.</li> </ol>
La presión de vapor es insuficiente.	<ol style="list-style-type: none"> <li>1. La configuración del selector ubicado en el asa puede estar demasiado baja.</li> </ol>	<ol style="list-style-type: none"> <li>1. Gire el selector hasta alcanzar la presión deseada.</li> </ol>
<p>(PROBLEMA) No hay vapor, todas las luces siguen encendidas y la bomba funciona en forma continua.            (CAUSAS POSIBLES) 1. Usted está utilizando demasiado vapor (posición 4). 2. La bomba de agua está dañada.            (SOLUCIÓN) 1. Apague el interruptor principal (1), aguarde 1 minuto; luego, vuelva a encender el equipo y espere a que se encienda la luz verde (A). 2) Comuníquese con Reliable Corporation para solicitar un servicio de mantenimiento.</p>		

## INSTRUCCIONES DE MONTAJE DEL CARRO EP1000

1. Base del carro
2. Bandeja para el transporte de accesorios
3. Asa del carro
4. Ruedas giratorias (2)
5. Ruedas traseras (2)
6. Tapas cromadas traseras (4)
7. Tuercas autobloqueantes (2)
8. Arandelas (4)
9. Tapa de bronce de las ruedas (2)
10. Tapón de fijación (4)
11. Recipiente de agua y tapa
12. Manguera transparente de silicona
13. Tapón
14. Llave inglesa

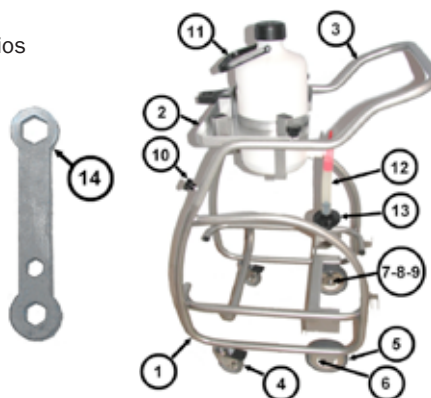






Fig. 1

1. Coloque el carro cabeza abajo para atornillar con facilidad las ruedas giratorias traseras dentro de los orificios roscados (fig. 1).



Fig. 2

2. Arme la rueda respetando el siguiente orden: arandela, tapa cromada trasera, rueda trasera, tapa de bronce, tapa cromada trasera, arandela; y fíjelos al eje utilizando una tuerca autobloqueante (fig. 2). Atornille con la llave; tenga cuidado de no ajustar demasiado.



Fig. 3

3. Ponga el carro de pie y coloque dentro la limpiadora a vapor. Incline la máquina hacia adelante para colocar las ruedas delanteras en su sitio. Esto también permitirá un posicionamiento correcto de las ruedas traseras (fig. 3).



Fig. 4

4. Coloque la bandeja de accesorios en la base del carro y atornille los dispositivos de fijación (fig. 4).



5. Ajuste los dispositivos de fijación hasta que la estructura del carro quede firme (fig. 5).



Fig. 6

6. Atornille la sujeción al depósito de la limpiadora a vapor. (fig. 6)



7. Abra el grifo del depósito en APAGADO y llene con agua el depósito (fig. 7). Coloque el depósito de agua en la bandeja de accesorios y conecte la manguera de silicona en el tapón de la máquina, y asegúrese de que quede bien conectado para evitar escapes de agua.

NOTA: Es importante cerrar el golpecito cuando se apaga la máquina.



Fig. 8

8. Abra el grifo.

Observe: si el grifo vuelve a la posición de APAGADO o si gira, rote la manguera de silicona que se encuentra cerca de la sujeción de goma como si fuese a abrir el grifo.

## *INFORMACIÓN ADICIONAL*

EL SISTEMA DE CARRO DE AGUA NO EXIGE RETIRAR EL TUBO PARA LLENARLO.

Durante su uso, NO jale con FUERZA de la manguera de vapor; esto podría mover la máquina sobre el carro.

Si necesita colocar el TUBO DE AGUA sobre una superficie PLANA, gire el grifo a una posición horizontal (fig. 8).

Reliable Corporation (“Reliable”) garantiza al comprador original de sus productos que todas las unidades vendidas por Reliable (un “Producto Reliable”) se encuentran libres de defectos de material y de mano de obra durante el período de un año a partir de la fecha de compra, si son utilizadas correctamente y han recibido el mantenimiento adecuado. En virtud de las condiciones y limitaciones establecidas a continuación, Reliable reparará o reemplazará la pieza de un Producto Reliable que demuestre estar defectuosa a causa de material o fabricación inadecuadas. Si el Producto Reliable defectuoso deja de estar disponible y no puede ser reparado efectivamente o reemplazado por un modelo idéntico, Reliable cambiará el Producto Reliable defectuoso por un Producto Reliable vigente de igual o mayor valor. Las piezas de recambio o repuestos serán suministrados por Reliable a cambio de las piezas originales, y serán piezas nuevas o piezas que estarán reacondicionadas para convertirse en productos funcionalmente equivalentes a piezas nuevas. Si Reliable no puede reparar o reemplazar un Producto Reliable, la compañía reembolsará el valor del Producto Reliable que esté vigente al momento de reclamar la garantía.

Esta garantía limitada no cubre los daños que sufra un Producto Reliable como resultado de una instalación inadecuada, accidente, abuso, uso incorrecto, desastre natural, suministro de energía eléctrica insuficiente o excesivo, condiciones mecánicas o ambientales anormales, desgaste provocado por el uso normal del producto, o cualquier desarme, reparación o modificación no autorizada. Esta garantía limitada no se extiende a ningún daño indirecto, resultante o accidental que el usuario pueda sufrir o que pueda causar el uso de un Producto Reliable, incluyendo, entre otros, la responsabilidad ante los reclamos presentados por terceros; y se limita al monto pagado por el comprador original del Producto Reliable respecto del cual tiene aplicación esta protección de garantía limitada. Esta garantía limitada no es válida para los productos que hayan sido modificados o que no tengan número de serie, o para los productos que no hayan sido comprados directamente a Reliable o a través de un vendedor certificado que cuente con nuestra autorización para comerciar los Productos Reliable.

Esta garantía limitada es la única garantía que tiene aplicación a todos los Productos Reliable, reemplaza todos los términos que puedan estar contenidos en cualquier otro documento u orden de compra, y no puede ser alterada o modificada excepto que Reliable así lo haya autorizado expresamente por escrito.

Para obtener la reparación o cambio según los términos de esta garantía, comuníquese con nuestro grupo de servicio al cliente al 1-800-268-1649 o escriba a [support@reliablecorporation.com](mailto:support@reliablecorporation.com). Usted deberá presentar, por fax o correo electrónico, el comprobante original. Este comprobante debe demostrar que usted es el comprador original, que el producto fue adquirido directamente de nuestras oficinas o de un vendedor de Reliable autorizado y que el reclamo de la garantía se realiza dentro del período correspondiente. Usted recibirá un número de autorización (RA#) y deberá enviar el producto defectuoso, junto con el comprobante de compra, el RA# y seguros pagados por adelantado, a la siguiente dirección:

Reliable Corporation, 5-100 Wingold Avenue, Toronto, ON M6B 4K7. Los costos de envío por cobrar serán rechazados. El riesgo de sufrir una pérdida o daño en tránsito será asumido por el cliente. Una vez que Reliable reciba el producto defectuoso, la compañía iniciará el proceso de reparación o reemplazo.



1 800 268 1649  
[www.reliablecorporation.com](http://www.reliablecorporation.com)