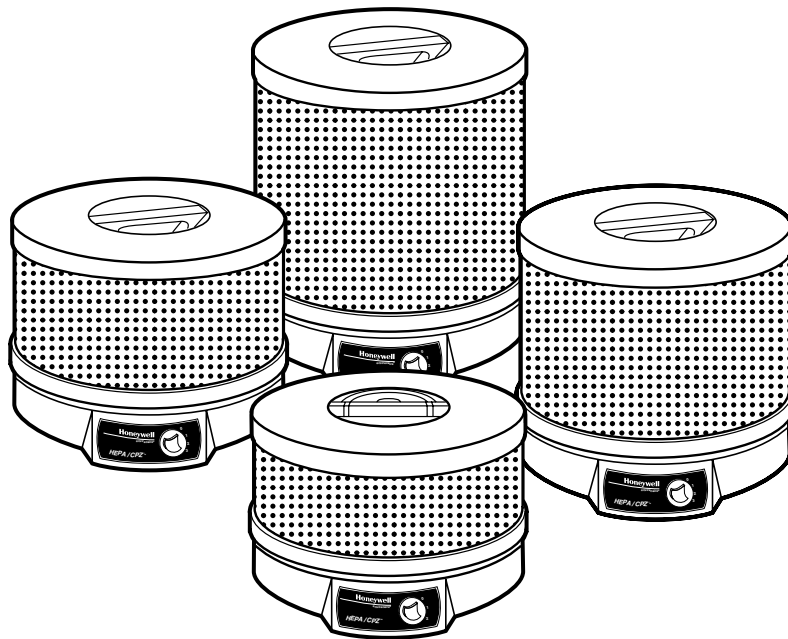


Honeywell

enviraire®

Portable Air Cleaners

READ AND SAVE THESE INSTRUCTIONS



Owner's Guide

For Air Cleaner Models

41000 • 42000 • 43000 and 44000 Series

The Science of Clean Air

Important Safety Instructions ...

Please read all instructions before using this product. Save these instructions for easy reference.

When using electrical appliances, basic precautions should always be followed to reduce breakage, risk of fire, electric shock and injury to persons including the following:

1. Read all instructions before operating the air cleaner.
2. Place air cleaner where it is not easily knocked over by persons in the household.
3. Always unplug when not in use. It is recommended that the air cleaner be attended while in use.
4. Do not use any product with a damaged cord or plug or if product malfunctions, is dropped or damaged in any manner. Keep the cord away from heated surfaces.
5. Do not use air cleaner outdoors.
6. Never use air cleaner unless it is fully assembled.
7. **Warning:** To reduce the risk of fire or overheating of the electrical cord, do not run power cord under carpets, and do not cover with throw rugs. Arrange cord such that it will not be tripped over.
8. Do not use air cleaner where combustible gases or vapors are present.
9. Do not expose the air cleaner or CPZ™ Filter to rain, or use near water, in a bathroom, laundry area or other damp location.
10. To disconnect the air cleaner, first turn speed control to OFF position and remove plug from the outlet.
11. The air cleaner must be used in its upright position.
12. Do not allow foreign objects to enter ventilation or exhaust opening as this may cause electric shock or damage to the air cleaner. Do not block air outlets or intakes.
13. Locate air cleaner near power outlet and avoid using an extension cord.
14. The air cleaner has a polarized plug (one blade is wider than the other). To reduce risk of shock, this plug is intended to fit in a polarized outlet only one way. If the plug does not fit fully in the outlet, reverse the plug. If it still does not fit, contact a qualified electrician. **DO NOT** attempt to defeat this safety feature.
15. **Caution:** a loose fit between the plug and the AC outlet (receptacle) may cause overheating and a distortion of the plug. Contact a qualified electrician to replace loose or worn receptacles.
16. Do not sit, stand or place heavy objects on the air cleaner.
17. Disconnect power supply before servicing.
18. **Warning:** To reduce the risk of fire or electric shock, do not use this product with any solid-state speed control device.
19. Do not wash the filters. The filters are not washable and doing so will cause damage.

Congratulations...

You now own a powerful and highly efficient portable air cleaner.

Our customer service center representatives will be pleased to help with any questions or concerns you may have about your Honeywell air cleaner. Please call our Consumer Relations Dept. at (800) 332-1110 for assistance.

Quality/Reliability...

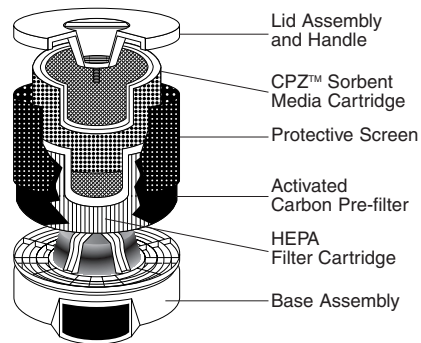
Your air cleaner is quality engineered for simplicity and reliability and is manufactured with durable, high impact plastic housings which are scratch, stain, and corrosion resistant. With reasonable care and replacement of filters as recommended, it will give you years of trouble free performance.

Before Operating Your Air Cleaner...

- Read this manual and follow all safety instructions.
- Carefully remove the plastic bag which protects the CPZ™ Filter cartridge during shipment. Your air cleaner will not operate properly with the plastic bag in place, and it may damage the air cleaner. The plastic bag may contain small particles and dust caused by vibration of the CPZ™ cartridge during shipment. Use care to avoid soiling clothing, carpets, and other furnishings with the particles or dust. See the "How to Change the Filters..." section of this owners manual for filter removal instructions.

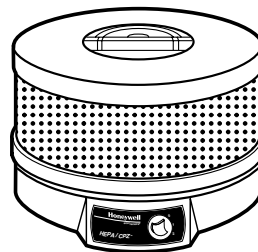
Construction ...

Your **Honeywell** air cleaner has six basic components: lid assembly and handle, the CPZ™ odor and gas adsorbing filter, the HEPA filter, the activated carbon pre-filter, the protective screen and the base assembly (with controls and motor).



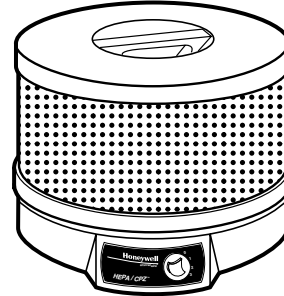
41000 Series...

The **Honeywell** 41000 Series air cleaner is a 2 speed air cleaner operated by moving the speed control from the off ("0") position to the High ("2") position. Allow the unit to operate for a few seconds at high speed, then leave the control knob in the high position for faster, powerful room cleaning, or move the knob to the lower setting for quieter operation.



42000, 43000 and 44000 Series...

The **Honeywell** 42000, 43300 and 44000 Series air cleaners are 3 speed air cleaners operated by moving the speed control knob on the base from the Off ("0") position to the high ("3") position. Allow the unit to operate for a few seconds at high speed, then leave the control knob in the high position for faster, powerful room cleaning, or move the knob to a lower setting for quieter operation.



For Best Performance ...

We recommend that you operate your **Honeywell** air cleaner 24 hours a day because indoor air can be quickly contaminated by activity in a room, infiltration of outside air, and generation by sources of contamination. Portable air cleaners will be much more effective in rooms where all doors and windows are closed.

The **Honeywell** air cleaner is ready to begin cleaning air as soon as it is removed from the carton, and the protective bag on the CPZ™ Filter cartridge is removed. **See "Before Operating Your Air Cleaner.."** For best performance the air outlet slot should not be blocked for at least three feet in all directions.

Replacement Filters...

Select the proper replacement filter for your **Honeywell** Two Stage HEPA Air Cleaner with CPZ™ Odor and Gas Adsorbing Filtration from the chart below:

<u>Model No.</u>	<u>HEPA Filter Part Number</u>	<u>CPZ™ Filter Kit</u>
41000 Series	28720	21200
42000 Series	28725	22200
43300 Series	28725	22200
43000 Series	28730	23200
44000 Series	29200	24200

The CPZ™ Filter Kit should last up to 6 months. It contains one CPZ™ filter, which should be replaced at least every six months, and two activated carbon pre-filters which should be replaced at least every three months. See "Filter Replacement..." for further guidelines.

Replacement Filters (cont'd.)...

Replacement filters may be purchased from the retail store or ordered from the dealer where you purchased the product. If you cannot locate one in your area, please call our Consumer Relations Dept. at (800) 332-1110 for assistance.

Filter Replacement...

CAUTION: Do not attempt to wash either the activated carbon pre-filter, the HEPA filter or the CPZ™ filter. They are not washable and washing will damage the filters.

With proper maintenance, your **Honeywell** air cleaner is designed to provide years of high efficiency air cleaning. Your Honeywell air cleaner contains three filters: a activated carbon pre-filter, a primary HEPA filter, and a CPZ™ odor and gas adsorbing filter.

The activated carbon pre-filter captures lint and other large particles and protects and helps extend the life of the HEPA filter. It also helps reduce common household odors. The pre-filter should be replaced at least every 3 months. You may need to replace the pre-filter more often if the unit is used in a smoking environment or if unpleasant odors persist. We **DO NOT** recommend operating the air cleaner without the activated carbon pre-filter. The HEPA filter may become contaminated and begin to emit any odors captured.

The primary HEPA filter should remain effective for 1 to 3 years, depending upon the environment in which the air cleaner is operating. Honeywell recommends changing the HEPA filter based upon these general guidelines—every 3 years for light usage, 2 years for normal usage and 1 year for heavy usage.

The CPZ™ Filter Cartridge should be replaced at least every 6 months. Filter life depends upon condition of use.

Our recommendations regarding filter replacement intervals are intended as guidelines only. Life expectancy of any filter media is dependent on the concentration of the contaminants to which the system is exposed. If there are sources of large amounts of contaminant generation (such as woodworking or heavy smoking) the useful life of the filter media in your air cleaner may be reduced.

Whenever the combined air resistance of the filtering system becomes excessive due to the amount of contaminants they have captured, the air cleaner may begin to audibly pulsate. Instead of a steady stream of air, rapid "puffs" of air may be felt at the outlet slot. When this occurs, one of two conditions exists:

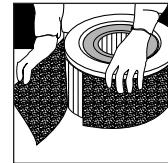
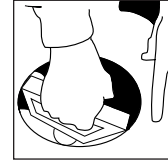
1. The activated carbon pre-filter is clogged and must be replaced.
2. If the unit continues to pulsate after a new pre-filter is installed, the useful life of the HEPA filter or CPZ™ filter has been reached and must be replaced.

How to Change the Filters...

CAUTION: DISCONNECT FROM POWER SUPPLY BEFORE SERVICING

The only three parts requiring any service are the activated carbon pre-filter, the CPZ™ filter and the HEPA filter. No tools are needed. To change either filter, disassemble the unit as shown.

1. Loosen the carrying handle by turning it counterclockwise and lift filter cage cover from unit.
2. Lift HEPA filter, CPZ™ filter and activated carbon pre-filter from the base.
3. Remove the fasteners from the activated carbon pre-filter and remove it from the HEPA filter cartridge.
4. Replace filter(s) as needed, and discard used filters.
5. Wrap the activated carbon pre-filter around the HEPA filter cartridge and secure it with the fasteners provided.



Reassemble your **Honeywell** air cleaner as described below:

1. Place the assembled HEPA filter, CPZ™ filter and the activated carbon pre-filter on the base.
2. Replace the protective screen and lid.
3. Reattach the carrying handle and turn it clockwise until securely tightened.

If the Air Cleaner Does Not Operate...

- Check to make sure that the power cord is correctly connected to the outlet.
- Test the outlet with another appliance or lamp.
- Check the fuse or circuit breaker. The outlet may be overloaded if other appliances are also in use. Determine and correct the cause of the overload.
- If none of the above procedures restore operation, return your unit to the store or if the store's return policy does not allow, return the complete unit per the instructions in the warranty section of this owner's guide. **Do not attempt to repair the unit yourself.**

Storage...

If you store your **Honeywell** HEPA/CPZ™ Air Cleaner for more than 30 days, we recommend:

- Remove the primary HEPA filter, the CPZ™ filter and the activated carbon pre-filter from the unit.
- Discard the pre-filter and CPZ™ filter.
- Wrap the HEPA filter in an air-tight plastic bag or plastic wrap. Be sure that the filter is totally sealed.
- To restore the air cleaner to service, unwrap the HEPA filter, install a new activated carbon pre-filter and CPZ™ filter, reassemble in the air cleaner. (See "How to Change the Filters..." section for proper installation.)

Limited Warranty...

Honeywell HEPA Air Cleaner

Model No. 41000, 42000, 43000, and 44000 Series

This product has been engineered and crafted with great care for your satisfaction. **Be sure to fill out and return the enclosed card within 7 days of purchase.**

A. This 5 year limited warranty applies to repair or replacement of product found to be defective in material or workmanship. This warranty does not apply to damage resulting from commercial, abusive, unreasonable use or supplemental damage. Defects that are the result of normal wear and tear will not be considered manufacturing defects under this warranty. HONEYWELL IS NOT LIABLE FOR INCIDENTAL OR CONSEQUENTIAL DAMAGES OF ANY NATURE. ANY IMPLIED WARRANTY, INCLUDING MERCHANTABILITY OR FITNESS FOR A PARTICULAR PURPOSE, ON THIS PRODUCT IS LIMITED IN DURATION TO THE DURATION OF THIS WARRANTY. Some jurisdictions do not allow the exclusion or limitation of incidental or consequential damages or limitations on how long an implied warranty lasts, so the above limitations or exclusions may not apply to you. This warranty gives you specific legal rights, and you also may have other rights which vary from jurisdiction to jurisdiction. This warranty applies only to the original Purchaser of this product.

B. At its option, Honeywell will repair or replace this product if it is found to be defective in material or workmanship. Defective product should be returned to the place of purchase in accordance with store policy or to Honeywell.

C. This warranty does not cover damage resulting from unauthorized attempts to repair or from any use not in accordance with this manual.

D. This warranty **DOES NOT** cover the pre-filter, CPZ™ filter or the HEPA filter except for material or workmanship defects.

E. Return defective product to the following address with a brief description of the problem. Include proof-of-purchase and a U.S. \$10.00/Can \$13.00 check or money order for handling, return packing and shipping charges. Please include your name, address and daytime phone number. You must prepay shipping charges. Mark carton "**Attention Repair Department**"

Ship to:

Honeywell Inc.
4755 Southpoint Drive
Southpoint Distribution Center
Memphis, TN 38118
U.S.A.

If you experience a problem with your Air Cleaner, please see owner's guide for instructions. Please do not attempt to repair the air cleaner yourself. Doing so may void the warranty and could cause damage or personal injury. If the problem still persists, please call:

Honeywell Inc.
Consumer Relations Dept.
Toll Free 1-800-332-1110.

Mail Questions or Comments to:

Honeywell Inc.
Consumer Relations Dept.
250 Turnpike Road
Southborough, MA 01772
U.S.A.