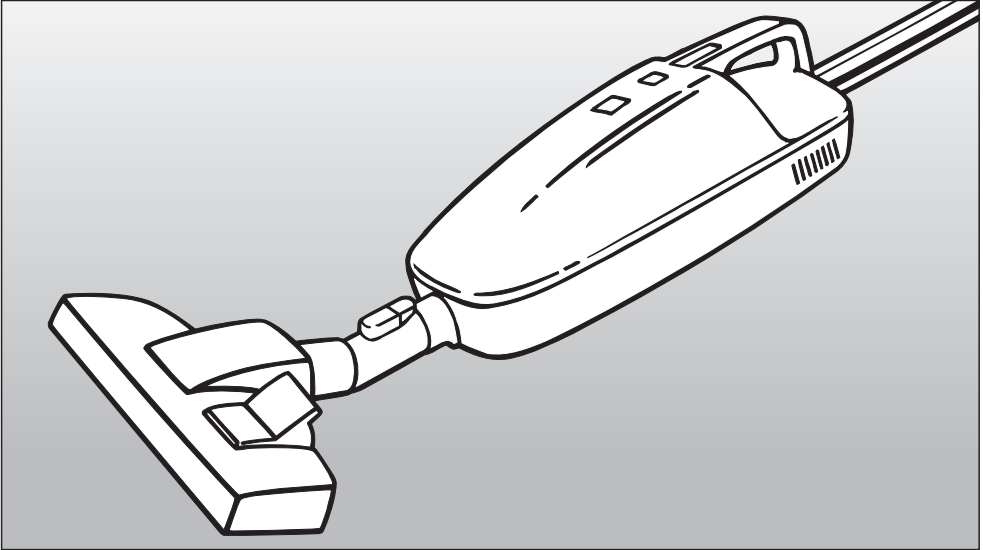


Miele

Operating instructions



Vacuum cleaner

S 140

S 160

To prevent accidents
and appliance damage,
read these instructions

before

installation and use.

HS07

en - US, CA

M.-Nr. 07 145 800

IMPORTANT SAFETY INSTRUCTIONS	4
Guide to the vacuum cleaner	8
Assembling the vacuum cleaner	10
Connecting the extension / telescopic wand	10
Connecting the handle	10
Connecting the rug and floor tool	11
Winding up the power cord	11
Included accessories	12
Accessory clip	12
Crevice nozzle	13
Upholstery nozzle	13
Use	14
Unwinding the power cord	14
Adjusting the telescopic wand	14
Plugging the vacuum cleaner in	14
Turning the vacuum cleaner on and off	15
Adjusting the suction	16
Adjusting the rug and floor tool to the floor type	16
Parking and storing the vacuum cleaner	17
Maintenance and care	18
Purchasing new dustbags and filters	18
Which dustbags and filters are the right ones?	18
When to change the dustbag	19
How to change the dustbag	20
Replacing the dust compartment filter (motor protection)	21
Replacing the "Air Clean" filter	22
Replacing the "Active Air Clean" filter or the "HEPA" filter	23
When to change the thread catcher	24
Changing the thread catcher	24
Exchanging exhaust filters	25
Cleaning and care	26
Frequently asked questions	27
Technical service	28
Optional accessories	29
Caring for the environment	36

IMPORTANT SAFETY INSTRUCTIONS

When using an electrical appliance, basic precautions should always be followed, including the following:

READ ALL INSTRUCTIONS BEFORE USING THIS APPLIANCE

WARNING-

To reduce the risk of fire, electric shock or injury:

Before using

▶ Check the voltage rating of the vacuum cleaner before connecting the power cord to an electrical outlet. Your power source should correspond with the voltage rating plate located on the underside of the vacuum. Use only household AC outlets. Never use DC power sources. If you are not sure of your home's voltage supply, consult a qualified electrician. Connecting the vacuum cleaner to a higher voltage than indicated in these instructions may result in damage to the vacuum cleaner or injury.

▶ To reduce the risk of electric shock, this appliance has a polarized plug (one blade is wider than the other.) This plug will fit in a polarized outlet only one way. If the plug does not fit fully in the outlet, reverse the plug. If it still does not fit, contact a qualified electrician to install the proper outlet. Do not alter the plug in any way.

▶ A damaged vacuum cleaner can be dangerous. Check the packaging, vacuum cleaner and accessories for any signs of damage. Do not use a damaged appliance.

▶ Do not use with a damaged cord or plug. If the appliance is not working as it should, has been dropped, damaged, left outdoors or submerged in water, bring it to a service center.

▶ The electrical outlet must be fitted with a 15 A fuse.

IMPORTANT SAFETY INSTRUCTIONS

Use

- ▶ Do not use on people or on animals.
- ▶ Do not use outdoors or on wet surfaces. Only **dry** surfaces should be vacuumed.
- ▶ Use only as described in this manual. Use only Miele recommended accessories.
- ▶ This appliance is intended for household use only.
- ▶ Do not allow the vacuum cleaner to be used as a toy. Close attention is necessary when used near children.
- ▶ Never use the vacuum cleaner without the dustbag or filters in place. It may be damaged.
- ▶ If a dustbag is not inserted, the dust compartment lid will not close. Do not force it shut.
- ▶ Do not leave the vacuum plugged in. Unplug it from the outlet when not in use and before servicing.
- ▶ Persons which lack physical, sensory or mental abilities or experience with the machine should not use it without supervision or instruction by a responsible person.
- ▶ This vacuum should not be used to entrap or retain any hazardous materials.
- ▶ Do not use the vacuum cleaner to pick up liquids or damp dirt. This could impair the electrical safety of the vacuum cleaner. Wait for freshly shampooed carpets to dry.
- ▶ Do not vacuum anything that is burning or smoking such as cigarettes, matches or hot ashes. The vacuum cleaner could catch fire.
- ▶ Do not vacuum flammable or combustible liquids, such as gasoline, or use in areas where they may be present.
- ▶ Do not vacuum toner dust. Toner, such as that used in printers and photocopiers can conduct electricity.
- ▶ Do not vacuum items which are heavy, hard or have sharp edges. They could cause a blockage and damage the appliance.
- ▶ Do not pull or carry by the cord, use the cord as a handle, close a door on the cord, or pull the cord around sharp edges or corners. Do not run the appliance over the cord. Keep the cord away from heated surfaces.

IMPORTANT SAFETY INSTRUCTIONS

- ▶ Do not unplug by pulling on the cord. To unplug, grasp the plug, not the cord.
- ▶ Do not handle the plug or vacuum cleaner with wet hands.
- ▶ Keep the power cord, hair, loose clothing, fingers and all parts of the body away from openings and moving parts.
- ▶ Do not place anything into the openings of the vacuum cleaner. Do not use if any openings are blocked; keep them free of dust, lint, hair, or anything that may reduce air flow.
- ▶ Turn off all controls before unplugging.
- ▶ Use extra care when cleaning on stairs.
- ▶ Do not use a damaged vacuum cleaner, especially with a damaged cord. A damaged vacuum cleaner can be dangerous.
- ▶ Monitor the dustbag change indicator and inspect all filters regularly. For best performance, the dustbag and filters should be replaced when necessary. A full bag or blocked filter will reduce the vacuum cleaner's suction power. A temperature limiter automatically switches the vacuum cleaner off if it gets too hot, see "Frequently asked questions".

Using accessories

- ▶ Unplug the vacuum cleaner when changing accessories, especially the Turbobrush and Powerbrush.
- ▶ Floor attachments, accessories and wands must not be used at head level to avoid injury to eyes and ears.
- ▶ The socket on the vacuum cleaner (depending on model) must only be used for the Miele Powerbrush specified for use with this appliance.
- ▶ To avoid the risk of injury when vacuuming with a Miele Power or Turbobrush do not touch the rotating roller brush. Danger of injury.
- ▶ Danger of injury. The Miele Powerbrush is a motor driven accessory for use only with Miele vacuum cleaners. The vacuum cleaner must not be used with another manufacturer's powerbrush.
- ▶ Miele dust bags are disposable and intended to be used only once. Do not attempt to reuse them. An overstuffed dustbag will reduce the efficiency of the vacuum cleaner.
- ▶ Only use genuine Miele dustbags with the Miele quality signet and original Miele filter and accessories. Only then can the manufacturer guarantee its safety.

IMPORTANT SAFETY INSTRUCTIONS

Cleaning, maintenance and repairs

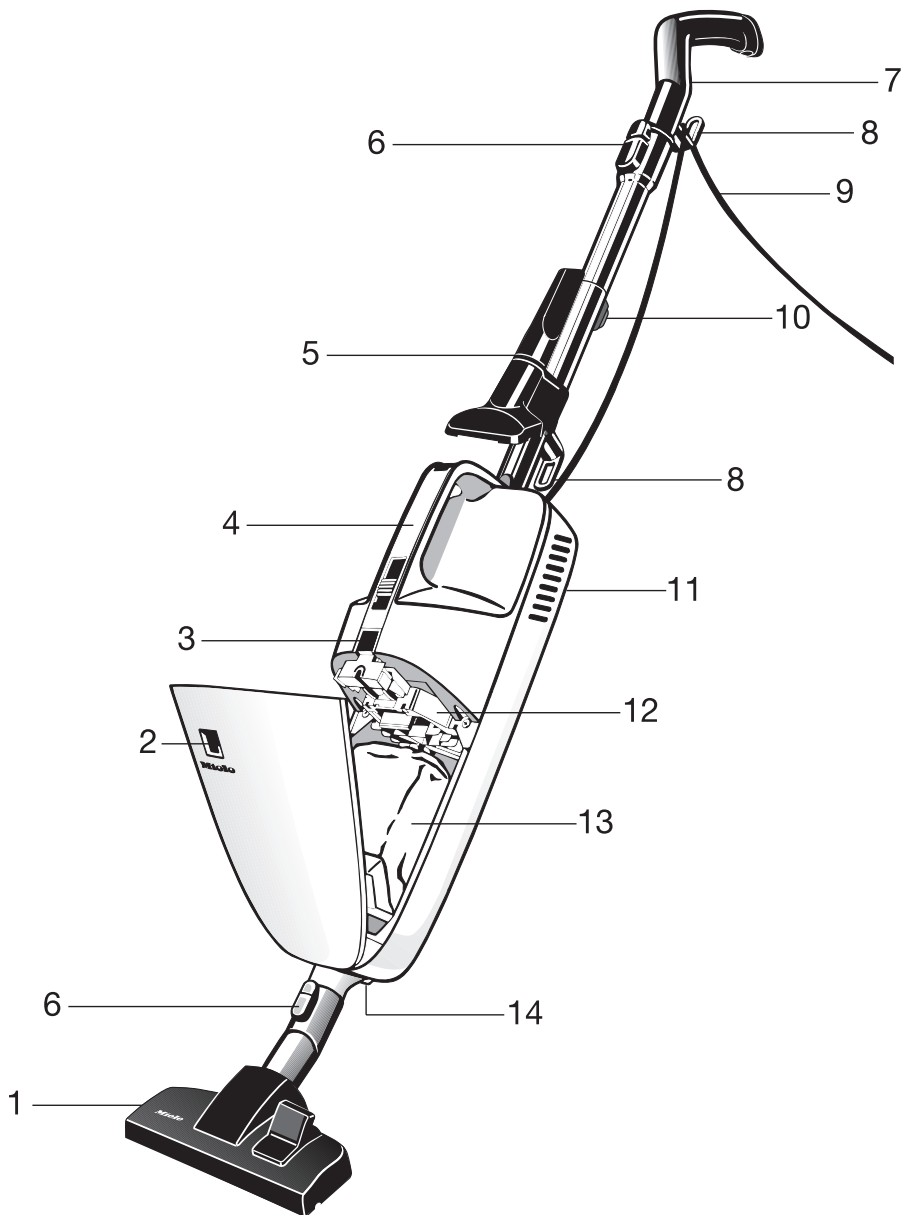
- ▶ Turn the vacuum cleaner off after each use and before every cleaning / maintenance. Unplug the vacuum cleaner from the outlet.
- ▶ Never submerge the vacuum cleaner in water. Clean only with a dry or slightly damp cloth when disconnected from the power supply. If moisture gets into the appliance there is a risk of electric shock.
- ▶ Repairs may only be performed by an authorized service agent in accordance with national and local safety regulations. Repairs by unqualified persons could be dangerous.
- ▶ A damaged power cord must only be replaced with a genuine Miele cord which can be obtained by Miele technical service.

Disposing of an old appliance

- ▶ Before discarding an old vacuum cleaner, please cut off the power cord and render the plug useless. Ensure the appliance presents no danger to children while being stored for disposal.

SAVE THESE INSTRUCTIONS

Guide to the vacuum cleaner



Guide to the vacuum cleaner

- 1 Rug and floor tool brush
- 2 Dustbag change indicator
- 3 Dust compartment release button
- 4 Carrying handle with On/Off switch
- 5 Accessory clip *
- 6 Locking buttons
- 7 Handpiece with anti-slip grip and hook
- 8 Power cord hook
- 9 Power cord
- 10 Telescopic wand adjustment button *
- 11 Exhaust filter compartment (on rear)
- 12 Dust compartment filter (motor protection)
- 13 Dustbag
- 14 Powerbrush outlet*

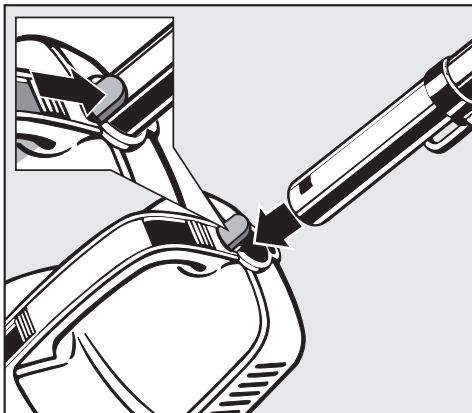
The illustration shows all possible features available on Miele vacuum cleaners.

Features marked with * do not come standard with all vacuum cleaners and may not be included with your model.

Assembling the vacuum cleaner

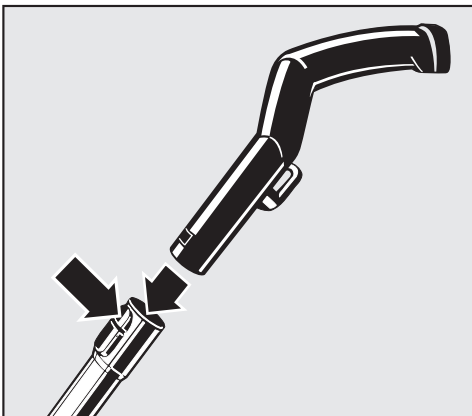
Connecting the extension / telescopic wand

- With the square hole facing the carrying handle, insert the respective wand into the top of the vacuum cleaner body. Gently turn the tube until it locks in place.
- To remove the wand, press down on the locking button (see inset) and pull slightly twisting the tube.



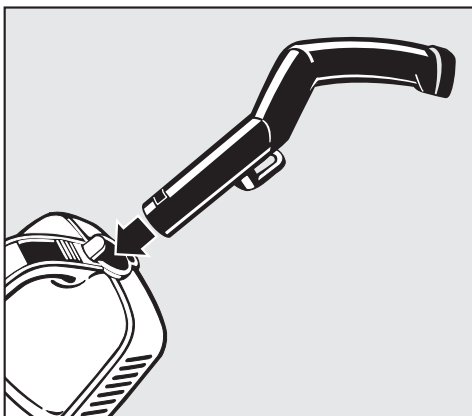
Connecting the handle

- Line up the square hole and the locking button, insert the handle into the extension / telescopic wand. Gently turn the handle until it locks in place.
- To detach the two parts, press and hold the release button (see arrow) while gently turning and pulling off the handle.



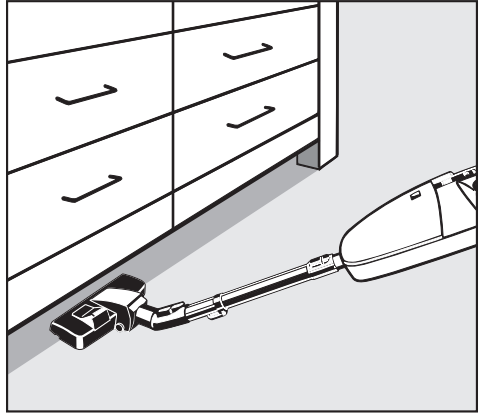
The handle can also be fitted directly to the vacuum cleaner housing.

This allows for easier vacuuming of upholstered furniture, mattresses, etc.



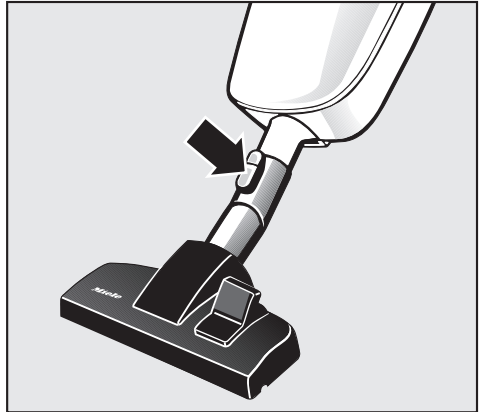
Assembling the vacuum cleaner

The extension / telescopic wand can also be used as a suction wand to extend the reach of the vacuum cleaner, making it easier to clean under furniture.



Connecting the rug and floor tool

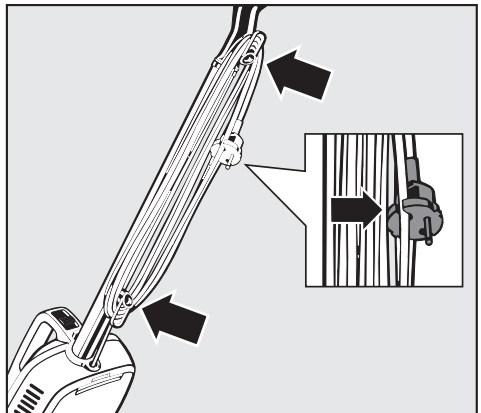
- Insert the lower tube of the vacuum cleaner into the rug and floor tool and gently turn until it locks into place.
- To remove the floor brush press and hold the release button (see arrow) while gently pulling the rug and floor tool off.



Winding up the power cord

When the vacuum cleaner is not in use the power cord can be wound around the two cord hooks.

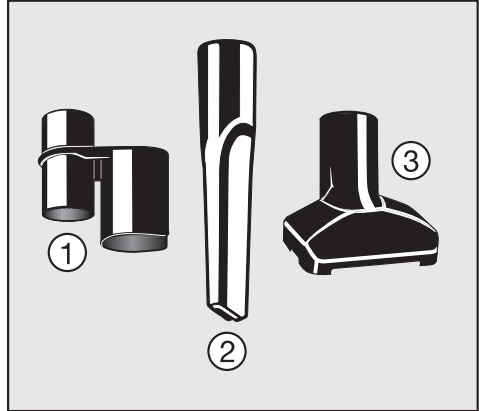
- To prevent the cord from unwinding, press the cord into the locking groove of the plug (see insert).



Included accessories

The vacuum cleaner includes the following accessories:

- ① Accessory clip
(depending on model)
- ② Crevice nozzle
- ③ Upholstery nozzle

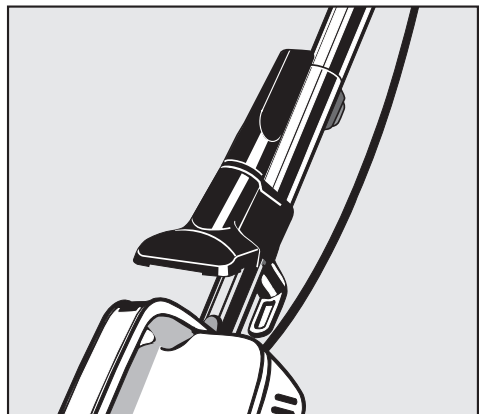
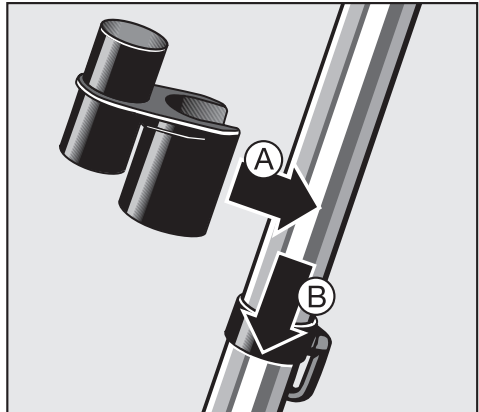


Accessory clip

(standard on some models)

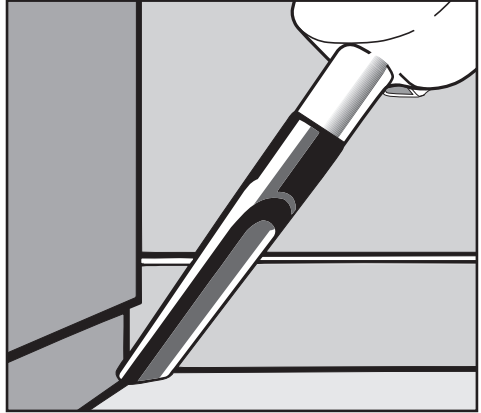
- If needed attach the accessory clip to the extension / telescopic wand, **(A)**.
- Push the accessory clip over the cord hook ring, **(B)**, until it clicks.

The accessory clip stores the supplied crevice nozzle and upholstery nozzle.



Crevice nozzle

For cleaning in folds, crevices and corners.



Upholstery nozzle

For cleaning upholstery, mattresses, cushions, curtains, covers, etc.

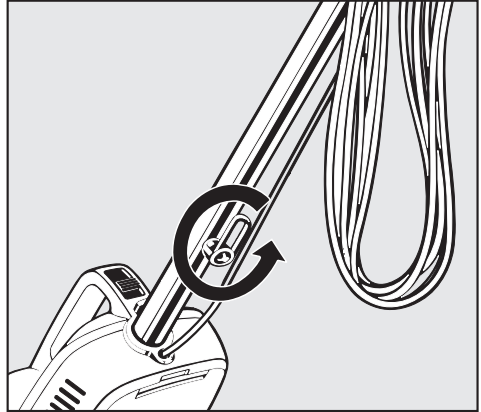


Use

Unwinding the power cord

The lower cord hook rotates.

- Turn the cord hook so that the lower portion of the cord hangs free. The cord can now be easily removed and unwound.

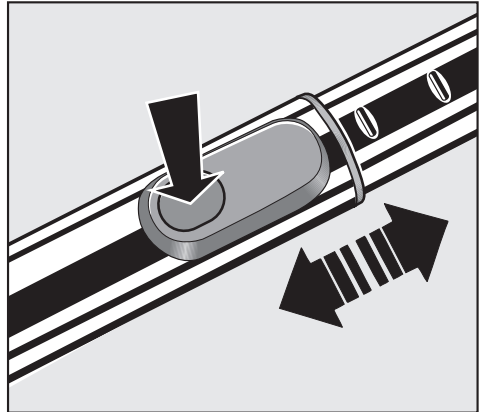


Adjusting the telescopic wand

(depending on model)

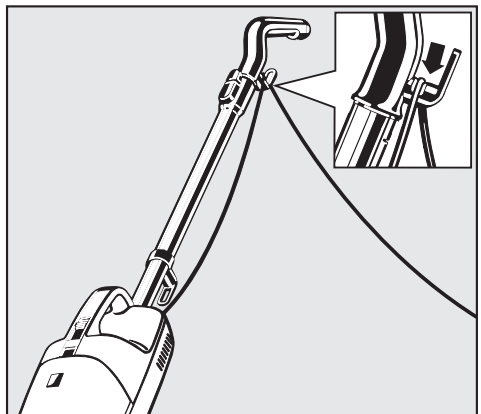
One piece of the telescopic wand is stored inside the other and can be adjusted to suit your height for comfortable vacuum cleaning.

- Press the telescopic wand release button (see arrow) to release the tubes and adjust to the required height.



Plugging the vacuum cleaner in

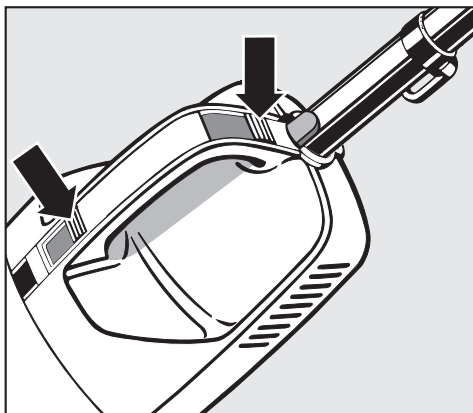
- Plug the vacuum cleaner in.
- To prevent the power cord from getting in the way or kinking while vacuuming, hang the cord over the hook on the handle (see insert). The power cord will be guided so that it does not hinder vacuuming.



Turning the vacuum cleaner on and off

There are two slide switches located on the handle to turn the vacuum cleaner on and off easily whether the vacuum cleaner is used upright or horizontally.

Either of these slide switches can be used to operate the vacuum cleaner.



Double slide switch

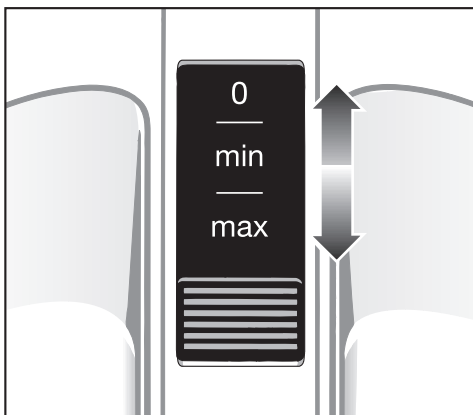
0 = vacuum cleaner is off

min = minimum suction

max = maximum suction

- To turn the vacuum cleaner on, slide either switch to **min** or **max**.
- To turn the vacuum cleaner off, pull the slide switch to **0**.

Select **min** for vacuuming light weight items such as throw rugs or curtains.



Use

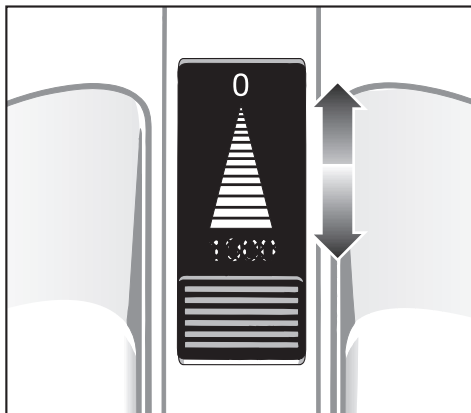
Adjusting the suction

(depending on model)

Some models have an adjustable suction control that allows you to optimize the vacuum cleaner's performance to meet different cleaning needs.

The suction can be adjusted to the amount of dirt and the type of material that will be vacuumed.

Lightly soiled or smooth flooring can be vacuumed at a middle setting. Carpets or heavy mats can be vacuumed at the highest setting in order to remove deep seated dirt.




The highest setting should also be used if a Turbobrush is connected to the vacuum cleaner.


Adjusting the rug and floor tool to the floor type

The rug and floor tool has been designed to give excellent cleaning results on either carpeted or smooth floors.

For vacuuming carpets and rugs:

- Press the foot switch to the  position.

For vacuuming smooth floors:

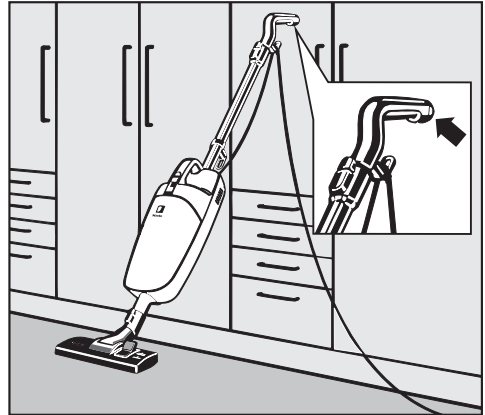
- Press the foot switch to the  position.



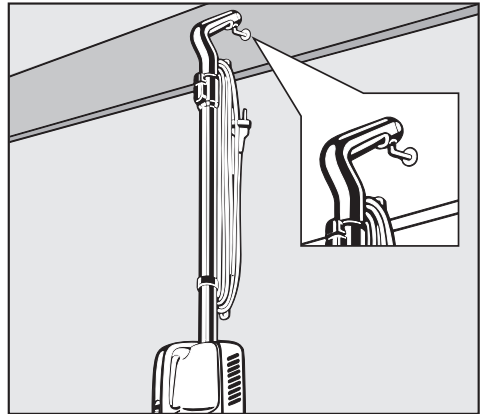
Parking and storing the vacuum cleaner

There is a non-skid rubber bumper on the vacuum cleaner handle. This allows the vacuum cleaner to be leaned upright against a wall if desired.


Before leaving the vacuum cleaner make sure it is turned off and leaning against a wall at a safe angle.



To protect the bristle rings on the rug and floor tool, we suggest hanging the vacuum cleaner on a wall hook by using the hole located on the bottom of the handle.



Maintenance and care


 Turn off and unplug the vacuum cleaner before performing any maintenance work.

The Miele filter system consists of the following three components.

- Dustbag
- Exhaust filter
- Dust compartment filter

Each of these components must be changed periodically to maintain the vacuum cleaner's efficiency.

Only use Miele dustbags, filters and accessories with the "Original Miele" logo. Only then can the suction power of the vacuum cleaner reach its optimum potential creating the best possible cleaning results.

 The use of dustbags made of paper or a similar material, or dustbags with a cardboard retaining plate can lead to serious damage to the vacuum cleaner and possibly voiding the warranty, just as with the use of dustbags without the "Original Miele" logo.

Purchasing new dustbags and filters

Original Miele dustbags and filters can be purchased from an authorized Miele vacuum dealer or by visiting the Miele store at <http://store.miele.com>.

Which dustbags and filters are the right ones?

This vacuum cleaner uses Original Miele dustbags Type **K/K** and an Original Miele filters, the "Original Miele" Logo will appear on the packaging or directly on the dustbag.



An "Air clean" exhaust filter and a dust compartment filter are supplied with every box of Miele dustbags. If you would like to purchase additional Miele filters separately, contact your vacuum dealer or Miele, please quote the model number of your Miele vacuum cleaner to ensure correct parts are ordered. These parts are also available to order from the online Miele store.

The exhaust filter supplied with the vacuum cleaner can be exchanged with another type of Original Miele filter (see "Exchanging exhaust filters").

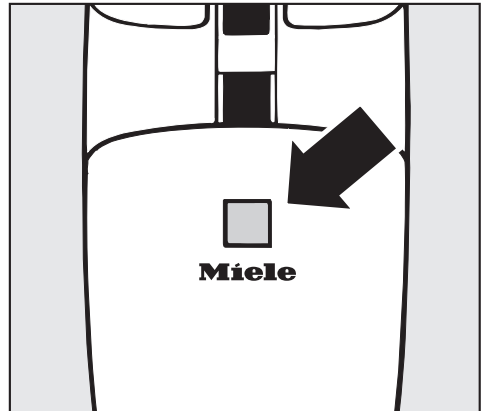
When to change the dustbag

Change the dustbag when the colored marker in the dustbag change indicator fills the display.

Miele dust bags are disposable and made to be used only once. Do not attempt to reuse.

Checking the dustbag change indicator

- Attach the floor tool to the vacuum cleaner. Perform this test with the floor tool only, since other attachments can affect the function of the dustbag change indicator.
- Turn the vacuum cleaner on and select the highest power setting.
- Lift the floor brush slightly off the floor. If the marker completely fills the indicator window, the dust bag needs to be changed.



How the dustbag change indicator works

The dustbag change indicator is designed to show when the bag is full of common household dust and measures the amount of air flow through the dustbag. Normal household dust is a mixture of dust, hair, carpet fluff, threads, sand, etc.

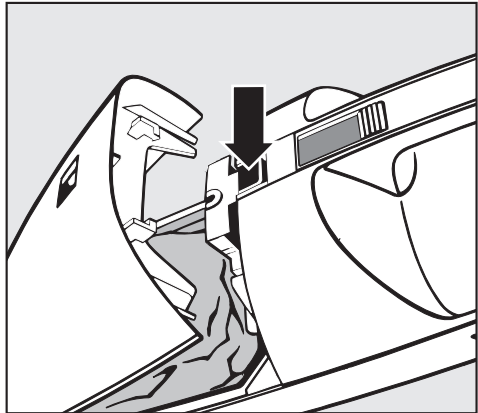
However, if fine dust, such as drill dust, sand, plaster or flour is vacuumed, the pores of the dustbag may become blocked. The marker will indicate that the bag is "full" even when it is not. The dustbag should be changed as the suction power is greatly reduced.

- If the bag is bulging with pet fur, hair, carpet fluff, etc. the indicator may not register "full". This is because the air flow of the dustbag may still be high enough not to activate the marker to show maximum. The dustbag should still be changed.

Maintenance and care

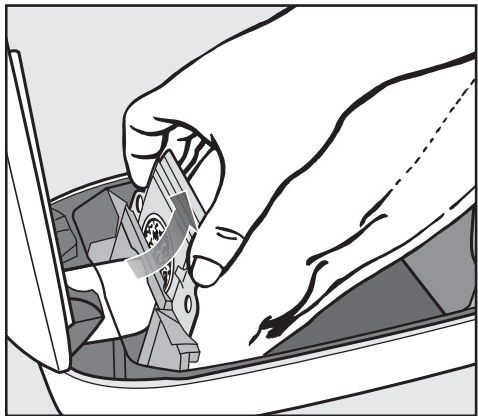
How to change the dustbag

- Press the dust compartment release button, raise the lid until it clicks into place.



- Grasp the collar by the two finger holes and pull it out from the dustbag holder.

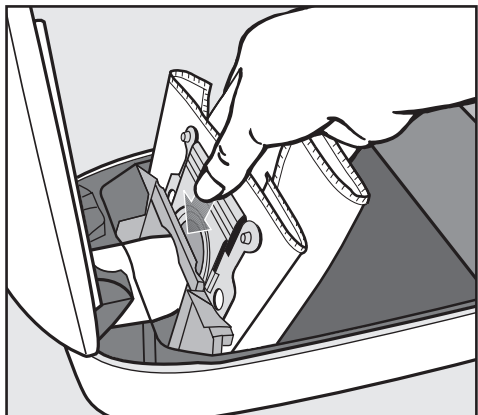
The dustbag has a flap which closes automatically to prevent dust from escaping when the dustbag is removed.




- Insert the new dustbag as far as it will go into the dustbag holder. Do not unfold the dustbag when taking it out of the box.

- Unfold the dustbag in the dust compartment.

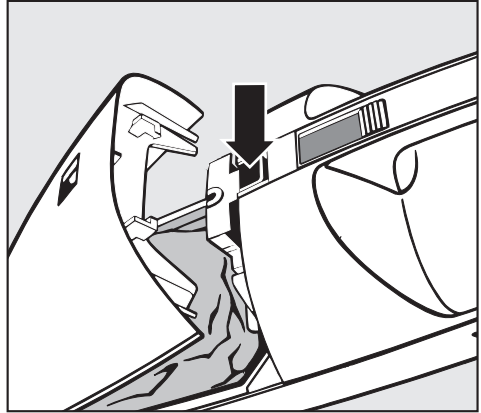
- Close the dust compartment lid until it clicks into place. Take care not to jam the dustbag in the lid.



 An empty-operation-barrier blocks the dust compartment lid from closing if no dustbag is inserted or if it is not inserted all the way. Do not force it closed.

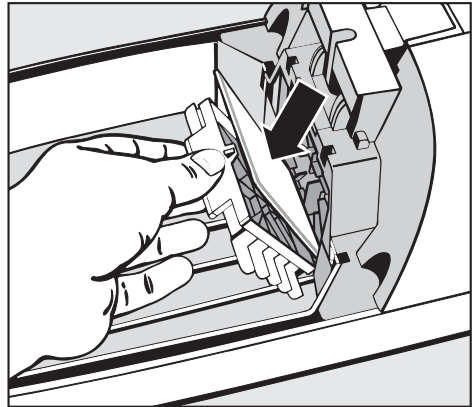
Replacing the dust compartment filter (motor protection)

- Press the dust compartment release button and open the compartment lid.



A dust compartment filter is included in every box of genuine Miele dustbags.

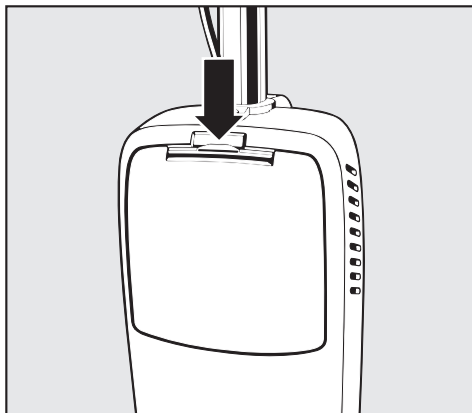
- Open the filter frame, remove the old filter and replace with a new one.
- Snap shut the filter frame and close the dust compartment lid firmly.



Maintenance and care

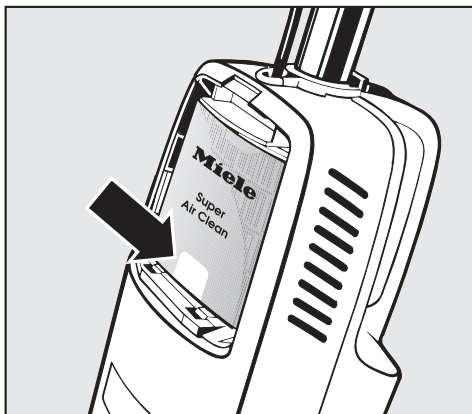
Replacing the "Air Clean" filter

- Press the release button for the exhaust filter compartment on the rear of the vacuum cleaner and remove the lid.

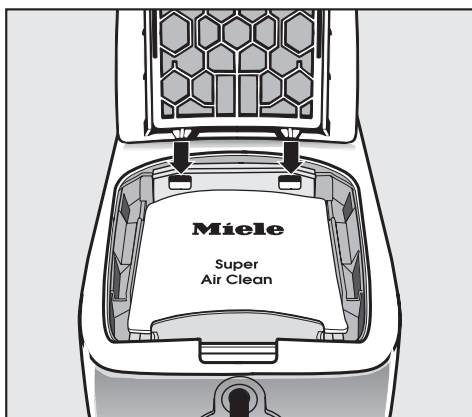


- Remove the filter at the clean space (see arrow) and replace it with a new one.

If you would like to use an Active Air Clean or HEPA filter, see "Exchanging exhaust filters".



- Place the locator pins on the bottom of the lid into their respective notches and close the lid.

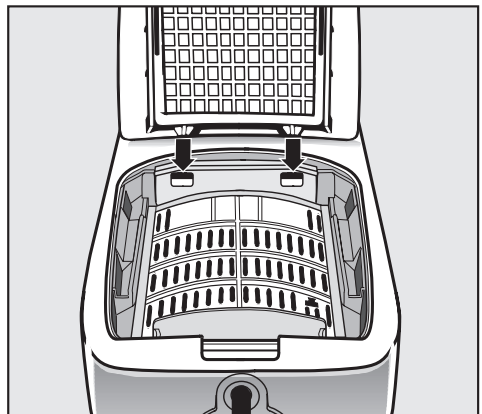
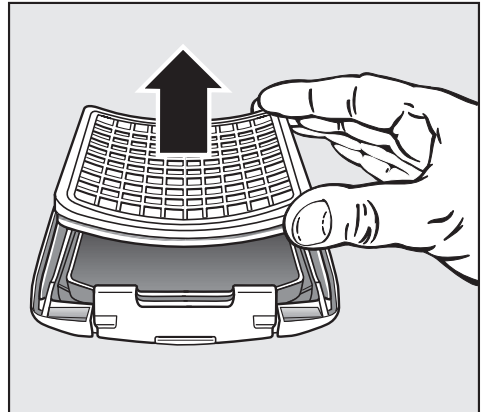
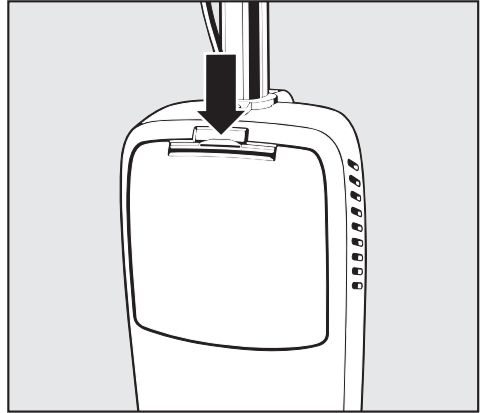


Replacing the "Active Air Clean" filter or the "HEPA" filter

- Press the release button for the exhaust filter compartment lid on the rear of the vacuum cleaner and remove the lid.
- Remove the used filter and replace it with a new one.
- Write the date of the next scheduled filter change on the label of the new filter.

If you would like to use a Air Clean filter, see "Exchanging exhaust filters".

- Place the locator pins on the bottom of the lid into their respective notches and close the lid.



Maintenance and care

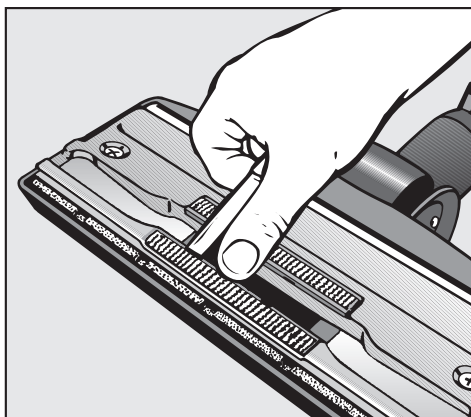
When to change the thread catcher

The thread catcher pads on the bottom of the rug and floor tool and the upholstery tool should be replaced as soon as they appear worn.

Changing the thread catcher

- Use a knife or similar object to remove the thread catcher pads from the slots.

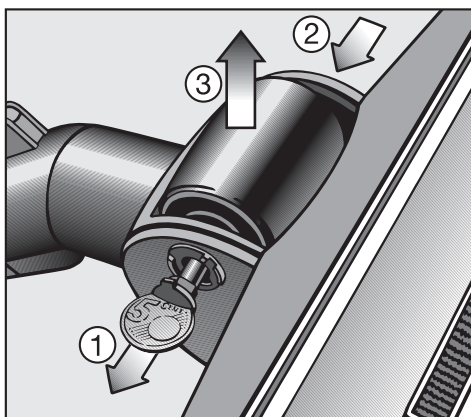
Press the new thread catcher into the slots.



Servicing the floor roller

- Use a coin to release the roller pin and pull it out.
- Push and take out the roller axle.
- Take out the roller.
- Remove all threads, hair, etc. and reassemble the parts.

New thread catcher pads can be purchased from any authorized Miele vacuum dealer or Miele.



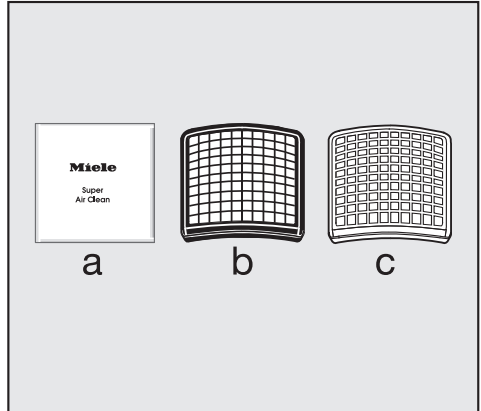
Exchanging exhaust filters

Depending on your model the vacuum cleaner is fitted with one of the following exhaust filters.

- a** Air Clean
- b** Active Air Clean
- c** HEPA

All of the above filters are interchangeable.

The filters have different features, see "Optional accessories".



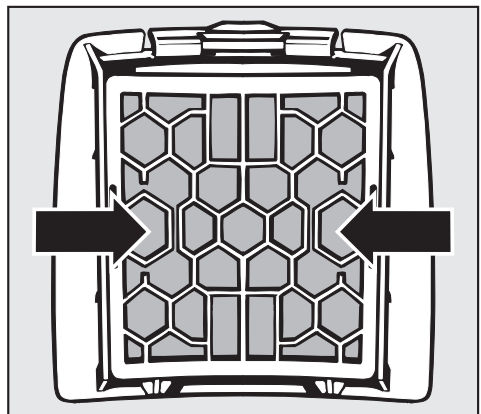
When changing the filter

1. If you would like to replace filter **a** with filter **b** or **c** it is essential that you remove the filter frame before inserting the new type of filter.
2. If you would like to replace filter **b** or **c** with filter **a**, a filter frame* must be installed at the rear of the exhaust filter compartment lid.


* see "Optional accessories"

Removing or inserting the filter frame

- Grasp the sides of the filter frame at the locations shown in the picture and squeeze. The frame can now be inserted or removed.




Cleaning and care

 Turn off the vacuum cleaner and unplug it from the outlet before performing any maintenance work.

Vacuum cleaner and accessories


The vacuum cleaner and other plastic accessories can be cleaned with a damp cloth or a cleaner suitable for plastics.

 Do not use abrasive, glass or all purpose cleaners! They will damage the surface.

Dust compartment

The dust compartment can, if necessary, be cleaned using a **dry** cloth, dusting brush or a second vacuum cleaner to remove any dust.

Monitor the dustbag change indicator and inspect all filters regularly. Clean or replace them when necessary according to these Operating Instructions.

 Do not submerge the vacuum cleaner in water. If moisture gets into the appliance there is the risk of an electric shock.

Overheating

If the vacuum cleaner has overheated the temperature limiter will automatically turn the vacuum cleaner off.

This can occur if, for instance, large articles block the suction tube or when the filter bag is full or contains particles of fine dust.

A heavily soiled exhaust or dust compartment filter can also be the cause of overheating. In this case, please turn the vacuum cleaner off. Check for any blockages and allow the vacuum cleaner to cool down for 30 minutes.

Technical service

In the event of a fault which you cannot fix yourself please contact the Miele Service Department at the phone number listed on the back of this booklet.

- Please quote the model type of your appliance.

This can be found on the data plate on the bottom of the vacuum cleaner.

Some models are equipped with one or more of the following accessories.

Power brush

The powerbrushes can only be connected to a vacuum cleaner having a powerbrush outlet.

Observe the cleaning instructions of the floor manufacturer.

Powerbrush SEB 217 (EB02)

The Powerbrush is recommended for cleaning and restoring crushed pile on medium-nap carpeting. It is particularly suitable for cleaning and restoring crushed carpet pile of floor coverings subject to hard wear, especially in high traffic areas.

Powerbrush SEB 236 (EB01)

In comparison to the SEB 217 this powerbrush is 2 3/8" (60 mm) wider, more powerful and recommended for cleaning large areas.

It is also equipped with :

- a height adjustment
- a headlight
- a multifunction indicator.

Powerbrush SEB 228 (EB03)

The Powerbrush is particularly suitable for cleaning and restoring crushed carpet pile of wall to wall carpeting and floor coverings subject to hard wear, especially in high traffic areas.

The Powerbrush can also be used on smooth floor surfaces.



Optional accessories

Turbobrush - Turbo Comfort

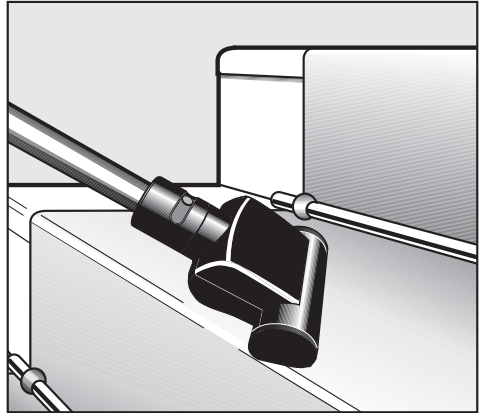
Observe the cleaning instructions of the floor manufacturer.

The Turbobrush is recommended for cleaning short to medium pile carpeting. It is mechanically driven by the suction power of the vacuum cleaner. In addition to dust particles it also removes stubbornly adhered threads, hairs and carpet fluff.



Hand Turbobrush - Turbo Mini

The Hand Turbobrush is intended for vacuuming upholstery, mattresses, car seats, carpeted stairs and other areas inaccessible with the standard Turbobrush.



Floor brush - Hardfloor

To vacuum sturdy hard floors, e.g. tiles and stone floors.



Floor brush - Parquet

(standard on some models)

Special brush with natural bristles intended for cleaning parquet and laminate floors, especially those susceptible to scratching.

The parquet floor brush can be cleaned with the vacuum cleaner using the crevice nozzle if necessary.

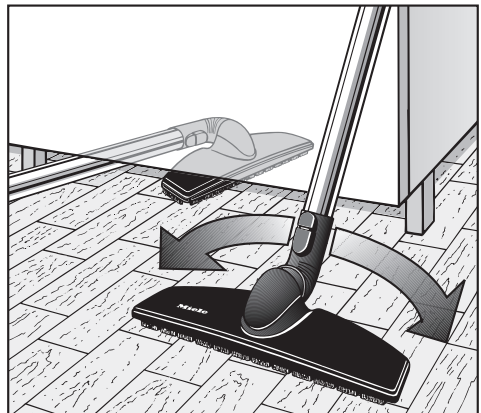


Floor brush - Parquet Twister with swiveling head

For cleaning all hard flooring, e.g. parquet and tiles. Especially suitable for vacuuming niches and tight spaces.

Floor brush - Parquet Twister XL with swiveling head

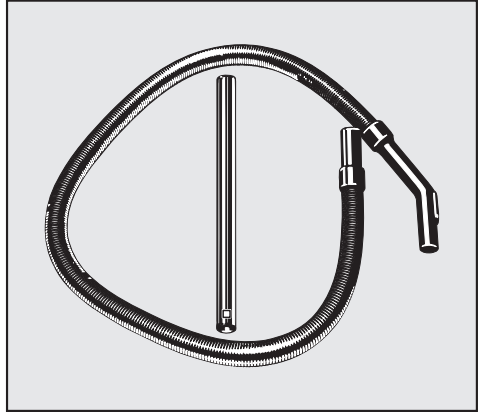
Similar to the Parquet Twister except it is 3 9/16" (90 mm) wide, making it ideal for cleaning large spaces.



Optional accessories

Canister vacuum cleaner accessories

By attaching a hose to the extension tube of the vacuum cleaner, the upright vacuum can be used as a canister vacuum.

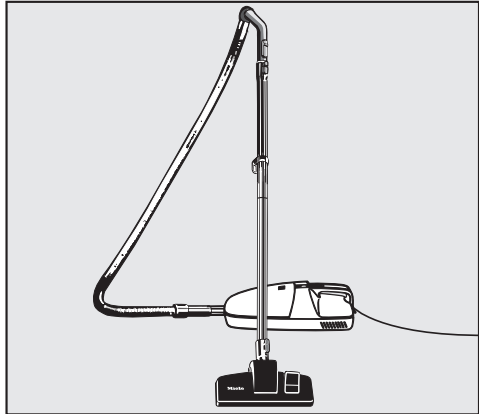


This allows easy cleaning of taller items such as bookshelves, furniture, blinds, etc.

Vacuuming inside closets or under beds is also made easier.

Important

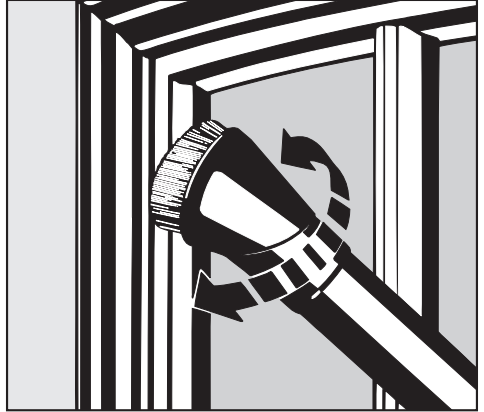
When buying canister accessories for your vacuum cleaner, be sure to have the model number accessible.



Dusting brush

For cleaning moldings, ornate or carved articles, etc.

The head of the dusting brush swivels and can be turned to attain the best cleaning position.



Universal brush

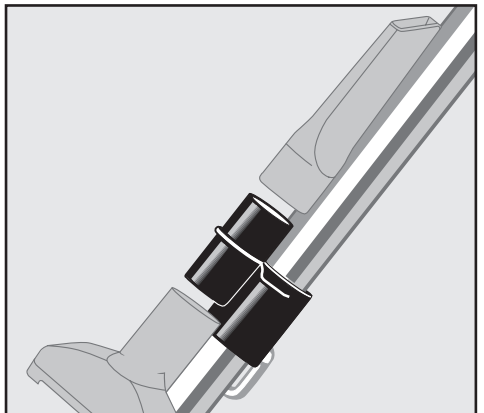
For dusting books, shelves, etc.



Accessory clip

(standard on some models)

For storing the supplied crevice nozzle and upholstery brush.

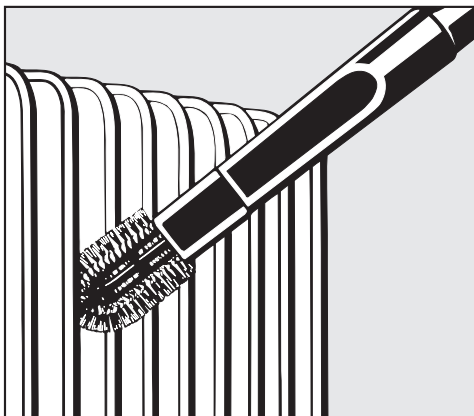


Optional accessories

Radiator brush

For cleaning radiators, narrow shelves or crevices.

Use only in connection with the crevice nozzle.



Mattress tool

For cleaning deep crevices, mattresses and upholstery.

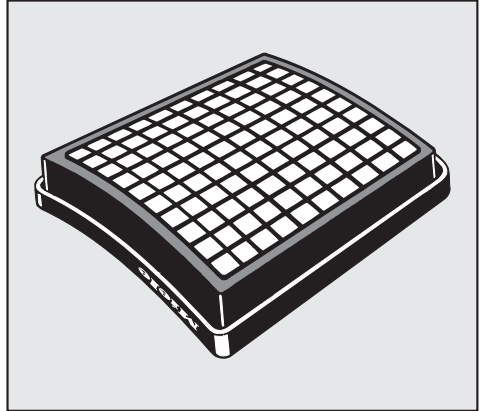


Active Air Clean filter

(standard on some models)

A special active charcoal filter which absorbs odors from dust in the dustbag, helping to prevent odors.

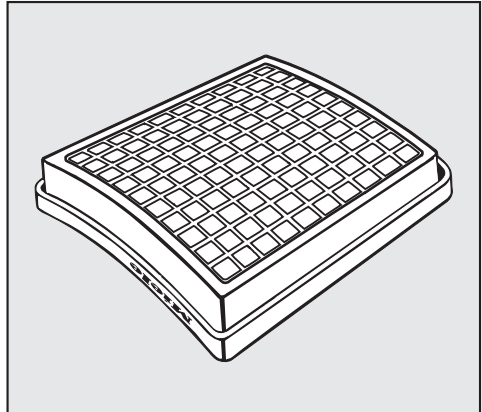
The "Active Air Clean filter" can be inserted in place of the "Air Clean filter". There is no difference in the fine dust performance of the "Active Air Clean" and the "Air Clean" filter.



HEPA Filter

(standard on some models)

The "HEPA" filter combines activated charcoal and HEPA filtration in one. The active charcoal layer absorbs odors from the dust collected in the dustbag. Vacuum cleaners equipped with this exhaust filter are particularly suitable for allergy sufferers and those concerned with a high level of hygiene because of its ability to trap respirable particles and allergens. The "HEPA filter" can be inserted instead of the existing exhaust filter.



Filter frame

The filter frame is needed if you would like to exchange a Air Clean filter with an Active Air Clean or HEPA filter, see "Exchanging exhaust filters".

Caring for the environment

Disposal of the packing materials

The cardboard box and packing materials protect the appliance during shipping. They have been designed to be biodegradable and recyclable.

Ensure that any plastic wrappings, bags, etc. are disposed of safely and kept out of the reach of children. These items pose a danger of suffocation.

Disposing of the dustbag and filters

Genuine Miele dustbags and filters are made of environmentally friendly materials. They can be thrown out with the household trash provided the vacuum cleaner has been used only for normal household dust.

**Please have the model and serial number
of your appliance available before
contacting Technical Service.**



U.S.A. Miele, Inc.

National Headquarters

9 Independence Way
Princeton, NJ 08540
Phone: 800-843-7231
609-419-9898
Fax: 609-419-4298
www.mieleusa.com

Technical Service & Support Nationwide

Phone: 800-999-1360
Fax: 888-586-8056

TechnicalService@mieleusa.com

Canada Miele Limited

Headquarters and Showroom

161 Four Valley Drive
Vaughan, ON L4K 4V8
Phone: 800-643-5381
905-660-9936
Fax: 905-532-2290
www.miele.ca
professional@miele.ca
(commercial enquiries)

MieleCare National Service

Phone: 800-565-6435
905-532-2272
Fax: 905-532-2292
customercare@miele.ca
(general and technical enquiries)

Germany

Miele & Cie. KG
Carl-Miele-Straße 29
33332 Gütersloh

