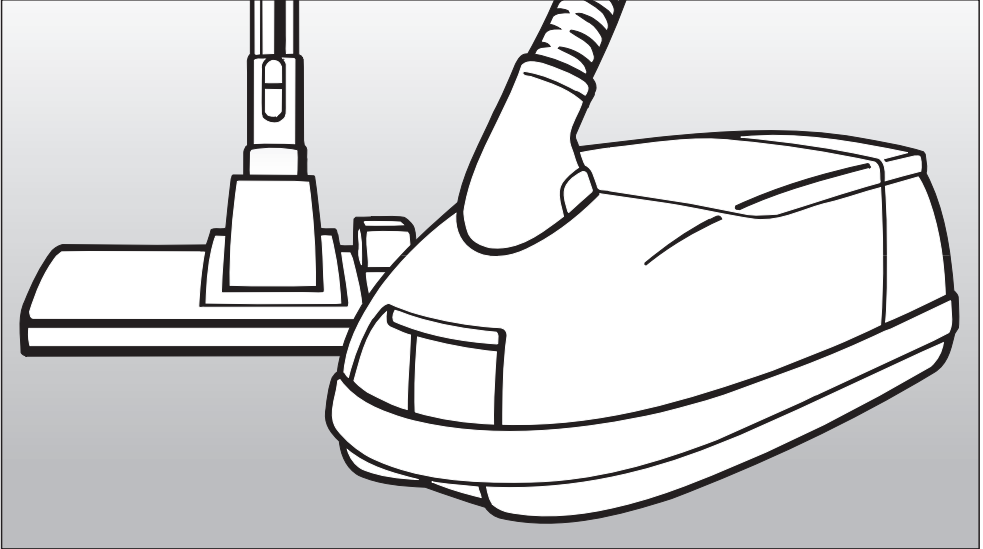


Miele

Operating Instructions



Vacuum cleaner S 246i - S 252i

To prevent accidents
and appliance damage,
read these instructions

before

installation or use.

en - US, CA

M.-Nr. 07 190 270

IMPORTANT SAFETY INSTRUCTIONS	4
Guide to the vacuum cleaner	8
Before using the vacuum cleaner	10
Included accessories	13
Use	15
Power cord	15
Turning the vacuum On and Off	16
Adjusting the suction	17
Opening the air inlet valve	17
Transport and storage	18
Maintenance and care	19
Purchasing new dustbags and filters	19
Which dustbags and filters are the right ones?	19
When to change the dustbag	20
How to change the dustbag	21
When to change the thread catcher	23
Changing the thread catcher	23
Cleaning and care	24
Frequently asked questions	25
Technical Service	26
Optional accessories	27
Caring for the environment	32

IMPORTANT SAFETY INSTRUCTIONS

When using an electrical appliance, basic precautions should always be followed, including the following:

READ ALL INSTRUCTIONS BEFORE USING THIS APPLIANCE

WARNING-

To reduce the risk of fire, electric shock or injury:

Before using

▶ Check the voltage rating of the vacuum cleaner before connecting the power cord to an electrical outlet. Your power source should correspond with the voltage rating plate located on the underside of the vacuum cleaner. Use only household AC outlets. Never use DC power sources. If you are not sure of your home's voltage supply, consult a qualified electrician. Connecting the vacuum cleaner to a higher voltage than indicated in these instructions may result in damage to the vacuum cleaner or injury.

▶ To reduce the risk of electric shock, this appliance has a polarized plug (one blade is wider than the other.) This plug will only fit in a polarized outlet one way. If the plug does not fit fully in the outlet, reverse the plug. If it still does not fit, contact a qualified electrician to install the proper outlet. Do not alter the plug in any way.

▶ A damaged vacuum cleaner can be dangerous. Check the packaging, the vacuum cleaner and accessories for any signs of damage. Do not use a damaged appliance.

▶ Do not use with a damaged cord or plug. If the appliance is not working as it should, has been dropped, damaged, left outdoors or submerged in water, bring it to a service center.

▶ The electrical outlet must be fitted with a 15 A fuse.

IMPORTANT SAFETY INSTRUCTIONS

Use

- ▶ Do not use the vacuum cleaner on people or animals.
- ▶ Do not use outdoors or on wet surfaces. Only **dry** surfaces should be vacuumed.
- ▶ Use only as described in this manual. Use only Miele recommended accessories.
- ▶ This appliance is intended strictly for household use only.
- ▶ This vacuum cleaner should not be used to entrap or retain any hazardous materials.
- ▶ Do not allow the vacuum cleaner to be used as a toy. Close attention is necessary when used by or near children.
- ▶ Do not use without dustbag and filters in place. Otherwise it may be damaged.
- ▶ If a dustbag is not inserted the dust compartment lid will not close. Do not force it shut.
- ▶ Do not leave the vacuum cleaner plugged in. Unplug from the outlet when not in use and before servicing.
- ▶ On the underside of the vacuum cleaner handpiece is a metal insert designed to absorb electrostatic charge. Please make certain that your hand remains around this metal insert.
- ▶ Persons which lack physical, sensory or mental abilities or experience with the machine should not use it without supervision or instruction by a responsible person.
- ▶ Unwind the cord completely to aid the vacuum cleaner in dissipating heat.
- ▶ This vacuum cleaner should not be used to entrap or retain any hazardous materials.
- ▶ Do not use the vacuum cleaner to pick up liquids or damp dirt. This could impair the electrical safety of the vacuum cleaner. Wait for freshly shampooed carpets to dry.
- ▶ Do not vacuum anything that is burning or smoking such as cigarettes, matches or hot ashes. The vacuum cleaner could catch fire.
- ▶ Do not vacuum toner dust. Toner, such as that used in printers and photocopiers can conduct electricity.
- ▶ Do not use to pick up any flammable or combustible liquids, such as gasoline, or use in areas where they may be present. The vacuum cleaner could explode.
- ▶ Do not vacuum up items which are heavy, hard or have sharp edges. They could cause a blockage and damage the appliance.
- ▶ Do not pull or carry by the cord, use the cord as a handle, close a door on the cord, or pull the cord around sharp edges or corners. Do not run the appliance over the cord. Keep the cord away from heated surfaces.

IMPORTANT SAFETY INSTRUCTIONS

▶ Do not unplug by pulling on the cord. To unplug, grasp the plug, not the cord.

▶ Do not handle the plug or vacuum with wet hands.

▶ Keep the power cord, hair, loose clothing, fingers and all parts of the body away from openings and moving parts.

▶ Do not place anything into the openings of the vacuum cleaner. Do not use if any openings are blocked; keep them free of dust, lint, hair, or anything that may reduce air flow.

▶ This appliance is equipped with a power cord reel. Hold plug when rewinding onto cord reel. Do not allow plug to whip when rewinding.

▶ Turn off all controls before unplugging.

▶ Use extra care when cleaning on stairs.

▶ Floor attachments, accessories and wands must not be used at head level to avoid injury to eyes and ears.

▶ Monitor the dustbag change indicator and inspect all filters regularly. For best performance, the dustbag and filters should be replaced when necessary. A full bag or blocked filter will reduce the vacuum cleaner's suction power. A temperature limiter automatically switches the vacuum cleaner off if it gets too hot, see "Frequently asked questions".

Using accessories

▶ The hose and the wand contain electrical wires. Do not use the vacuum cleaner if these parts are damaged, cut or punctured. Avoid picking up sharp objects. Danger of electric shock!

▶ Unplug the vacuum cleaner when changing accessories, especially the Turbobrush, and Powerbrush.

To avoid the risk of injury when vacuuming with a Miele Power or Turbobrush do not touch the rotating roller brush. Danger of injury.

IMPORTANT SAFETY INSTRUCTIONS

▶ The socket on the vacuum cleaner (depending on model) must only be used for the Miele Powerbrush specified for use with this appliance.

▶ Danger of injury. The Miele Powerbrush is a motor driven accessory for use only with Miele vacuum cleaners. The vacuum cleaner must not be used with another manufacturer's powerbrush.

▶ Do not use the vacuum cleaner without an accessory attached. The rim could be damaged and injuries could result from sharp edges.

▶ Miele dustbags are disposable and intended to be used only once. Do not attempt to reuse. An over stuffed dustbag will reduce the efficiency of the vacuum cleaner.

▶ Only use genuine Miele dustbags with the Miele quality signet and original Miele filters and accessories. Only then will the manufacturer guarantee its safety.

Cleaning, maintenance and repairs

▶ Turn the vacuum cleaner off after each use and before every cleaning / maintenance. Pull the plug from the outlet.

Never submerge the vacuum cleaner in water. Clean only with a dry cloth or slightly damp cloth when disconnected from the mains supply. If moisture gets into the appliance there is a risk of electric shock.

▶ The electro-suction hose and the wand contain electrical wires. The plug connectors must not come in contact with water. These items may only be cleaned with a dry cloth, no moisture can touch them. Danger of electric shock.

▶ Monitor the dustbag change indicator and inspect all filters regularly. For best performance, the dustbag and filters should be replaced when necessary. A full bag or blocked filter will reduce the vacuum cleaner's suction power. A temperature limiter automatically switches the vacuum cleaner off if it gets too hot, see "Frequently asked questions".

▶ Repairs must only be performed by an authorized service agent in accordance with national and local safety regulations. Unauthorized repairs could cause injury or machine damage.

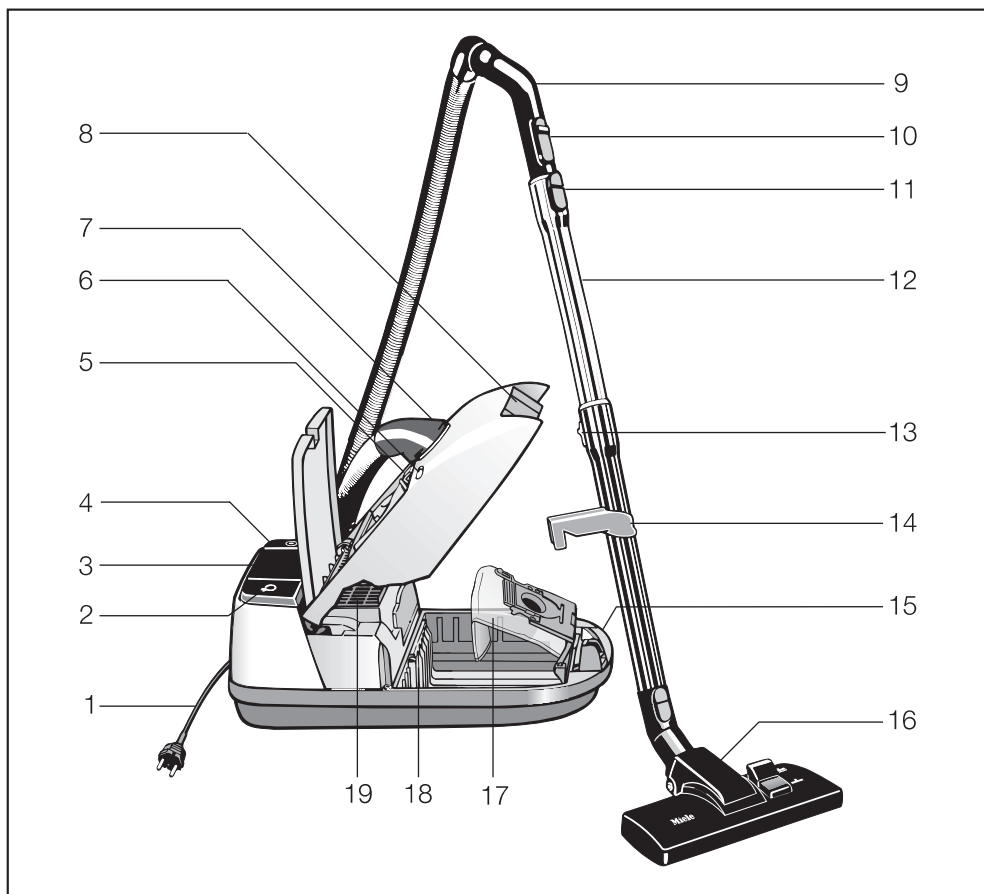
▶ If the power cord is damaged it should be replaced along with a new cable reel by Miele Technical Service.

Disposing of an old appliance

▶ Before discarding an old vacuum cleaner, please cut off the power cord and render the plug useless. Ensure the appliance presents no danger to children while being stored for disposal.

SAVE THESE INSTRUCTIONS

Guide to the vacuum cleaner



Guide to the vacuum cleaner

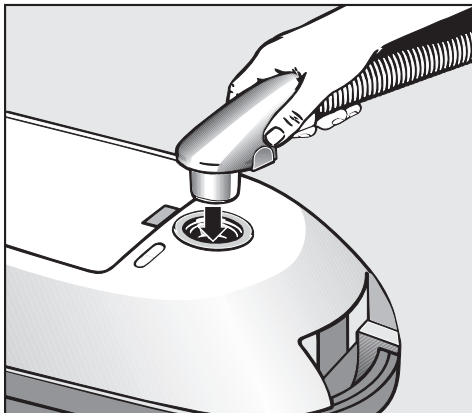
- ① Power cord
- ② Cord rewind switch
- ③ Suction power selector *
- ④ On-Off switch
- ⑤ Release button for accessories compartment
- ⑥ Airflow indicator
- ⑦ Elbow
- ⑧ Dust compartment lid release
- ⑨ Handpiece
- ⑩ Air inlet valve
- ⑪ Release button
- ⑫ Telescopic wand *
- ⑬ Telescopic wand release button *
- ⑭ Fold-out wand bracket *
- ⑮ Carrying handle
- ⑯ Floor brush
- ⑰ Dustbag
- ⑱ Dust compartment filter
(motor protection)
- ⑲ Exhaust filter
(Air Clean filter)

The features marked * may vary or not be available depending on your model.

Before using the vacuum cleaner

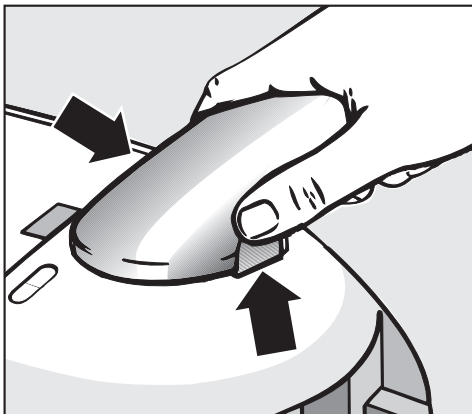
Attaching the suction hose

- Insert the elbow into the suction socket.



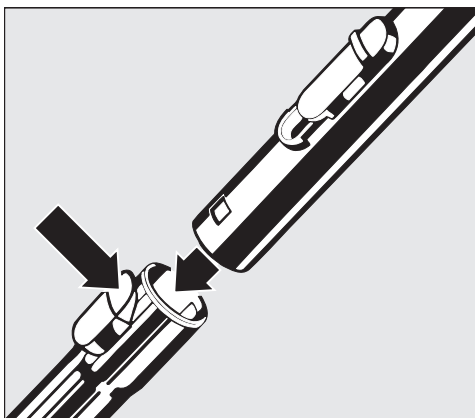
Removing the suction hose

- Press the release buttons at the side of the elbow and lift the hose from the socket.



Connecting the suction hose and the wand

- Fit the handpiece of the suction hose firmly into the wand. (Ensure that the plug connectors line up.) Turn the handpiece and wand in opposite directions until they lock with a click.
- To release the hand piece from the wand press the locking piece (see arrow) and pull apart.



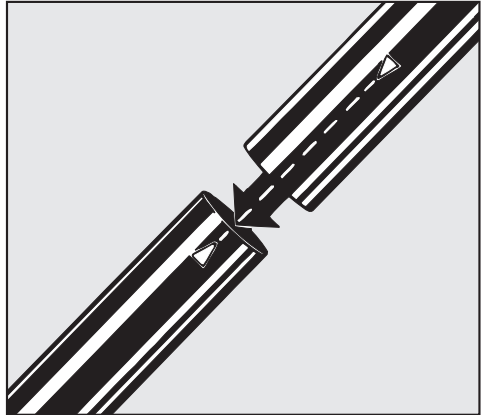
Before using the vacuum cleaner

Inserting the fitted wand

(depending on model)

Both sections of the wand have locating arrows.

- When connecting the two tubes, ensure that the two arrows point to each other.

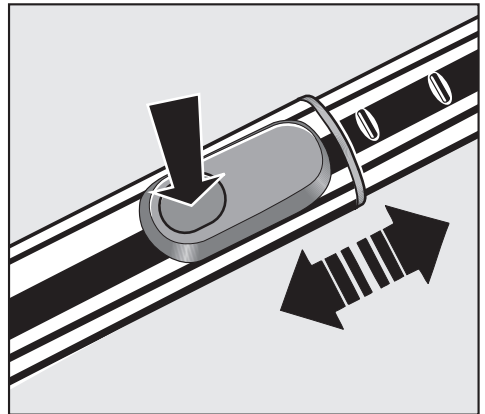


Adjusting the telescopic wand

(depending on model)

One part of the telescopic wand is inside the other and can be adjusted to your height for comfortable vacuum cleaning.

- Press the telescopic tube release button (see arrow) to release the tubes and adjust to the required height.

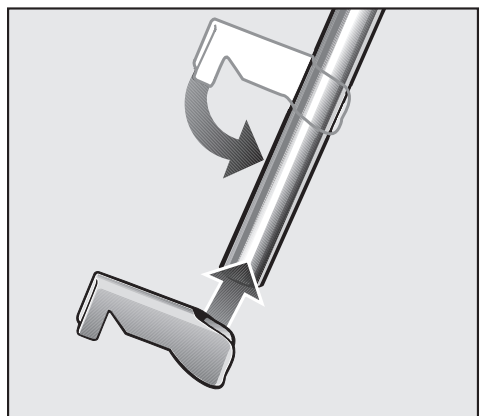


Attaching the wand bracket

(depending on model)

- Attach the wand bracket onto the telescopic wand and fold it inwards.

When the wand bracket is folded out the telescopic wand with suction hose and floor brush can be attached to the handle of the vacuum.



Before using the vacuum cleaner

Attaching the floor brush

(depending on model)

- Insert the telescopic wand into the floor brush and turn in either direction until it locks with a click.
- To release the floor brush from the wand, press the locking button (see arrow) and pull the wand out of the floor brush.

The floor brush is suitable for cleaning carpets, rugs, and hard surfaces. For flooring susceptible to scratches, use one of the special Miele floor brushes (see "Optional accessories").

Observe the cleaning instructions of the floor manufacturer.

Adjusting the floor brush

Vacuum carpets and rugs with the brush retracted:

To clean carpets and area rugs

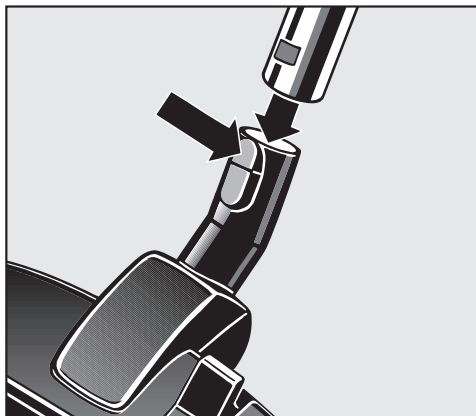
- Press the foot switch marked .

To clean hard flooring

Press the foot switch marked .

Electrobrush / Turbobrush

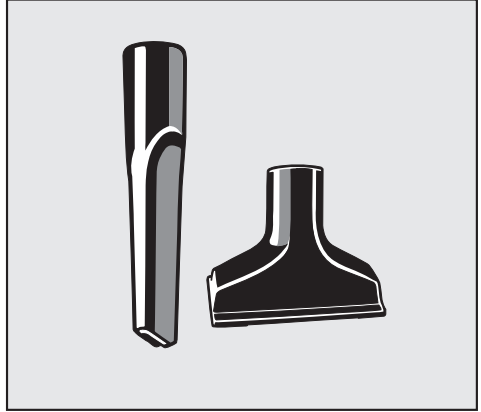
Some models may be supplied with an Electrobrush or a Turbobrush as a standard accessory (see "Optional accessories"). Please refer to the separate operating instructions supplied with these brushes for instructions on use and maintenance.



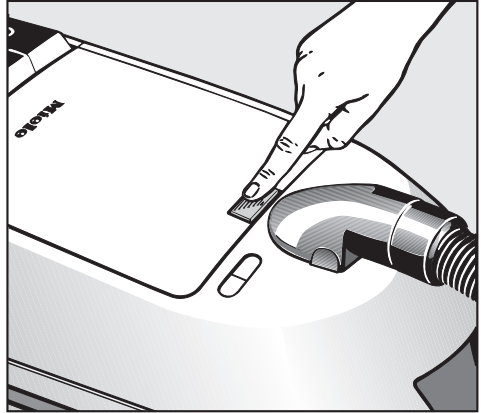
Included accessories

The accessory tools for cleaning tough to reach areas are located in the accessory compartment.

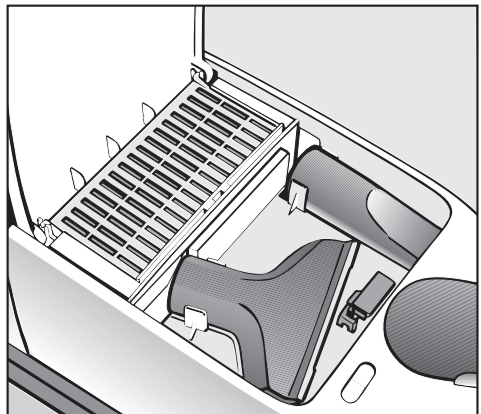
- Crevice nozzle
- Upholstery tool



- Press the release button to open the accessories compartment lid.



- Remove the accessory tool.
- Close the lid.



Included accessories

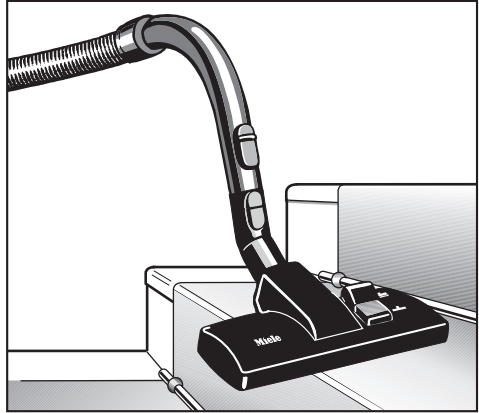
The different tools can either be fitted to the handpiece or to the telescopic wand.

Standard floor brush

(depending on model)

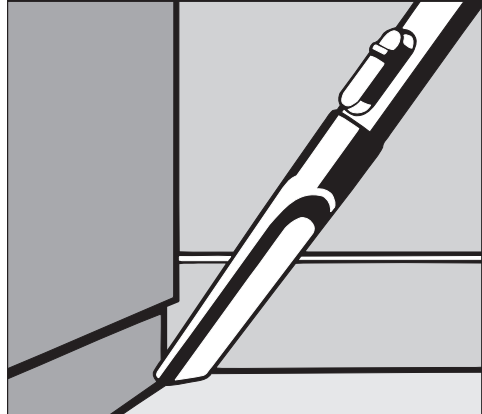
The standard floor brush can be used for normal cleaning of carpets, rugs, hard surfaces, carpeted stairs, etc.

For safety when vacuuming stairs it is best to start at the bottom of the stairs and move upwards.



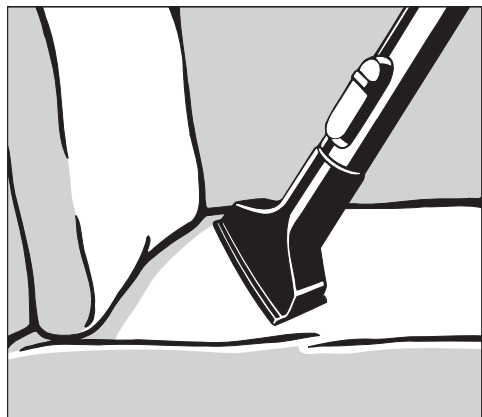
Crevice nozzle

For cleaning in folds, crevices or corners.



Upholstery tool

For cleaning upholstery, mattresses, cushions, curtains, covers, etc.




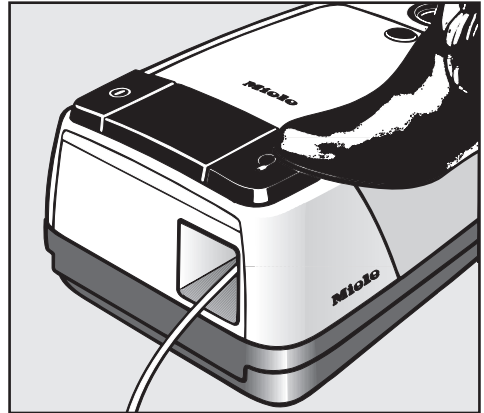
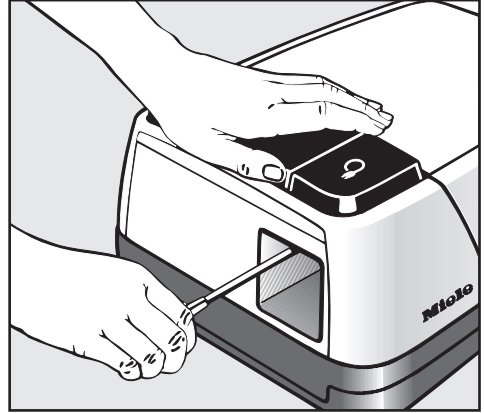
Power cord

Unwind the cable completely to aid the vacuum in dissipating heat.

Unwinding

- Hold the plug and pull out the power cord to its full length.

 To reduce the risk of electric shock, the vacuum has a polarized plug (one blade is wider than the other). This plug will fit in a polarized outlet only one way. If the plug does not fit fully in the outlet, reverse the plug. If it still does not fit, contact a qualified electrician. Do not alter the plug in any way. Danger of overheating and damage.



Rewinding

- Unplug the vacuum from the outlet.
- Step on the rewind switch to automatically rewind the power cord. Lightly hold the plug so that it does not whip around when rewinding.

Use


Turning the vacuum On and Off

To turn the vacuum cleaner on or off:

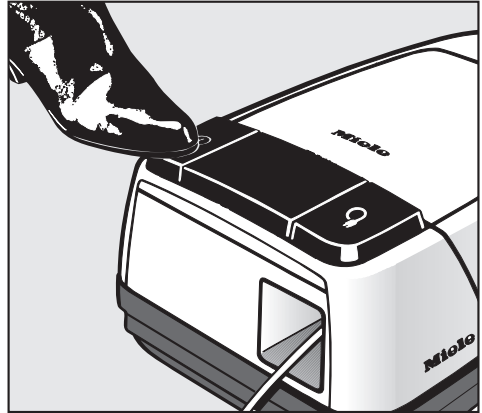
- Step on the On-Off foot switch.

While vacuuming

- The vacuum cleaner can also stand on its end for vacuuming stairs, drapes, etc.

 To prevent static discharge, your hand must touch the metal inlay on the underside of the vacuum handpiece. Be certain to continuously touch this inlay when vacuuming fine dust, flour, or saw dust as these materials are most likely to create static discharge.

To further prevent static discharge, pull the vacuum along by the hose with one hand while holding the handpiece in the other.




Adjusting the suction

(models with suction power selector)

The suction power can be regulated to suit the type of flooring.

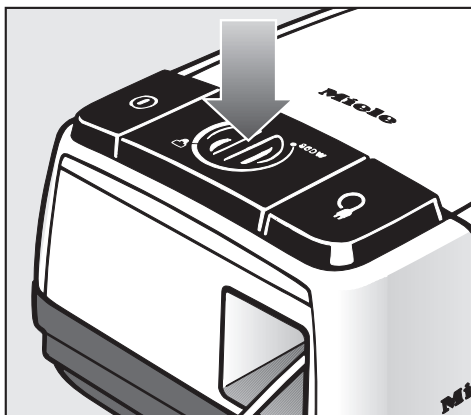
Reducing the suction power will allow the floor tool to slide across the floor more smoothly.

Select the middle suction setting (symbol ) for smooth and hard floors and a higher setting for carpets.

Rotary selector

(depending on model)

- Turn the suction power selector to the appropriate setting.

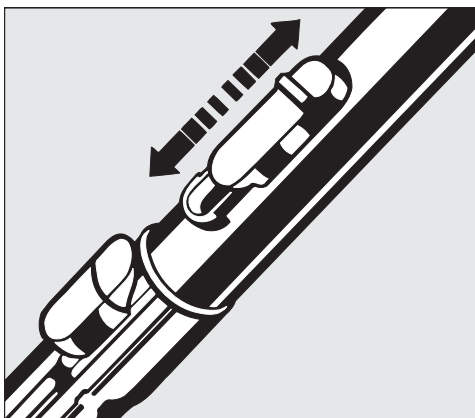


Opening the air inlet valve

The air inlet valve can be opened for a quick reduction of suction, e.g. when moving from a carpet to an area rug.

- Slide open the air inlet valve just enough for the floor brush to move easily.

By opening the air inlet valve the strength of the nozzle used is reduced.



Use

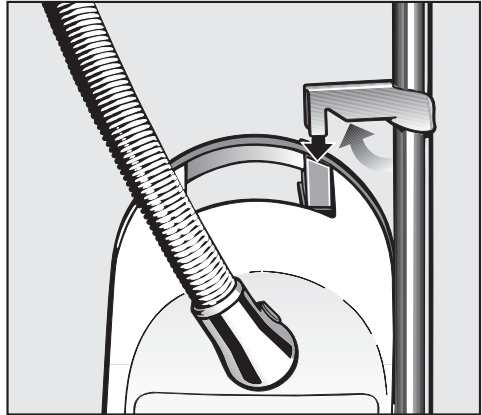
Transport and storage


(models with wand bracket)

For easier transport and storage, the telescopic wand can be attached to the vacuum handle.

- Stand the vacuum cleaner vertically.
- Unfold the wand bracket and hang it on the handle of the vacuum.

The wand bracket can be turned to hang off either side of the vacuum handle.




 Turn off and unplug the vacuum cleaner before performing any maintenance work.

The Miele filter system consists of the following three components.

- Dustbag
- Exhaust filter
- Dust compartment filter

Each of these components must be changed periodically to maintain the vacuum cleaner's efficiency.

Only use Miele dustbags, filters and accessories with the "Original Miele" logo. Only then can the suction power of the vacuum cleaner reach its optimum potential creating the best possible cleaning results.

 The use of dustbags made of paper or a similar material, or dustbags with a cardboard retaining plate can lead to serious damage to the vacuum cleaner and possibly voiding the warranty, just as with the use of dustbags without the "Original Miele" logo.

Purchasing new dustbags and filters

Original Miele dustbags and filters can be purchased from an authorized Miele vacuum dealer or by visiting the Miele store at <http://store.miele.com>.

Which dustbags and filters are the right ones?

This vacuum cleaner uses Original Miele dustbags Type **F/J/M** and an Original Miele filters, the "Original Miele" Logo will appear on the packaging or directly on the dustbag.



An "Air clean" exhaust filter and a dust compartment filter are supplied with every box of Miele dustbags. If you would like to purchase additional Miele filters separately, contact your vacuum dealer or Miele, please quote the model number of your Miele vacuum cleaner to ensure correct parts are ordered. These parts are also available to order from the online Miele store.

The exhaust filter supplied with the vacuum cleaner can be exchanged with another type of Original Miele filter (see "Exchanging exhaust filters").

Maintenance and care

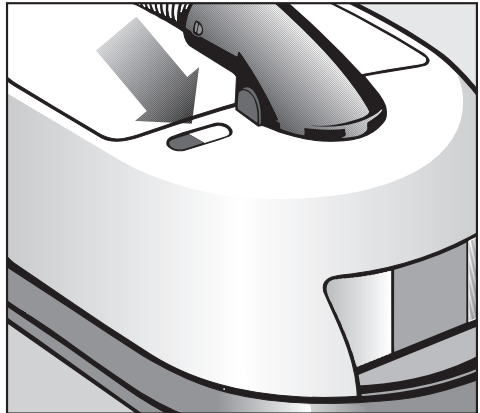
When to change the dustbag

Change the dustbag when the colored marker in the dustbag change indicator fills the display.

Miele dust bags are disposable and made to be used only once. Do not attempt to reuse.

Checking the airflow indicator

- Attach the standard floor brush (depending on model) to the vacuum cleaner. Perform this test with the floor tool only, since other attachments can affect the function of the dustbag change indicator.
- Turn the vacuum cleaner on and select the highest power setting.
- Lift the floor brush slightly off the floor. If the marker completely fills the indicator window, the dust bag needs to be changed.




How the airflow indicator works

The airflow indicator is designed to show when the bag is full of common household dust and measures the amount of air flow through the dustbag. Normal household dust is a mixture of dust, hair, carpet fluff, threads, sand, etc.

However, if fine dust, such as drill dust, sand, plaster or flour is vacuumed, the pores of the dustbag may become blocked. The marker will indicate that the bag is "full" even when it is not. The dustbag should be changed as the suction power is greatly reduced.

If the bag is bulging with pet fur, hair, carpet fluff, etc. the indicator may not register "full". This is because the air flow of the dustbag may still be high enough not to activate the marker to show maximum. The dustbag should still be changed.

 Always turn off and unplug the vacuum cleaner before performing maintenance or cleaning.


How to change the dustbag

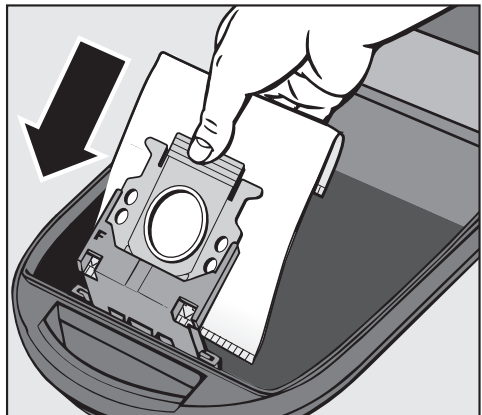
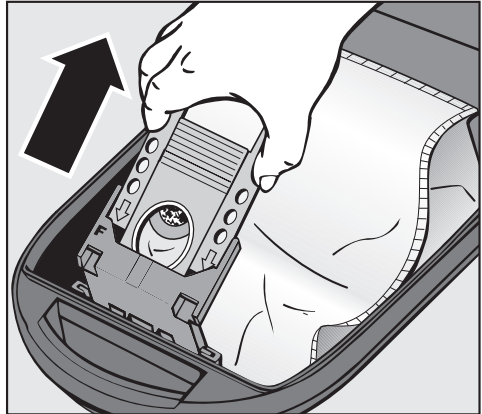
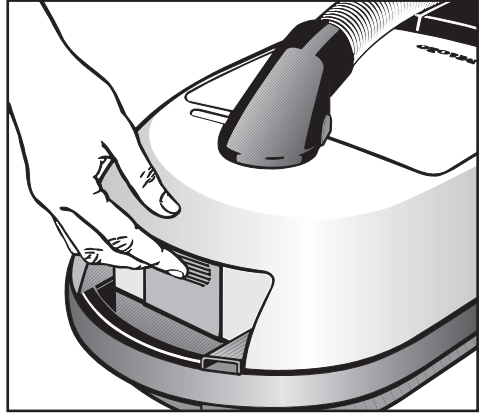
- Lift the release button for the dust compartment, raise the lid until it clicks into place.
- Grasp the collar by the two finger holes and pull it out from the dustbag holder.

The dustbag has a flap which closes automatically to prevent dust from escaping when the dustbag is removed.

It can be thrown out with the normal household trash as long as it has only been used for vacuuming household dust.

- Insert the new dustbag as far as it will go into the dustbag holder. Do not unfold the dustbag when taking it out of the box.
- Unfold the dustbag in the dust compartment.
- Close the dust compartment lid until it clicks into place. Take care not to jam the dustbag in the lid.

 An empty-operation-barrier blocks the dust compartment lid from closing if no dustbag is inserted or if it is not inserted all the way. Do not force it closed.



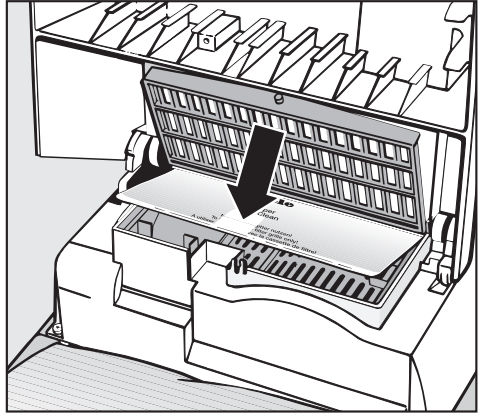
Maintenance and care

Replacing the Air Clean exhaust filter

The Air Clean filter is a fine filter capable of trapping microscopic dust particles.

Replace the Air Clean filter whenever you start a new box of Miele dustbags.

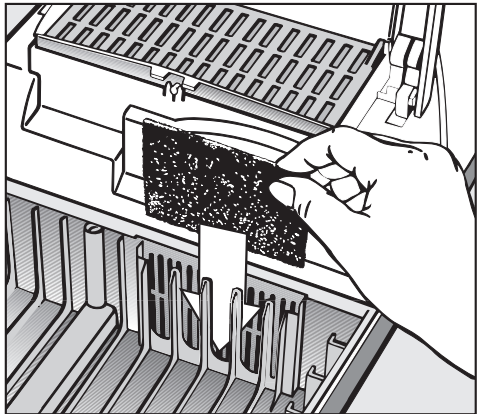
- Open the dust compartment lid.
- Lift the filter frame and remove the used exhaust filter at the clean side.
- Insert the new filter.
- Close the filter frame.



Dust compartment filter (Pre-motor filter)

Change the filter each time you open a new box of Miele dustbags.

- Open the dust compartment lid.
- Exchange the filter.
- Close the lid.



When to change the thread catcher

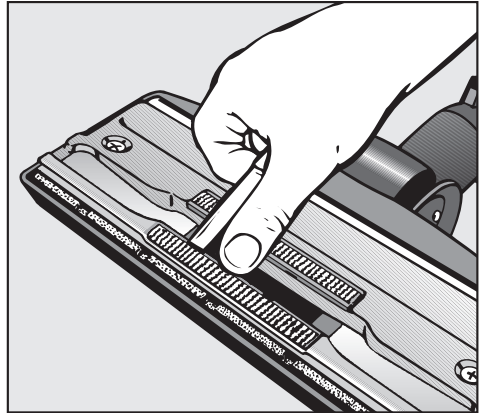
The thread catcher pads on the bottom of the standard floor brush and the upholstery tool should be replaced as soon as they appear worn.

New thread catcher pads may be purchased from Miele.

Changing the thread catcher

The thread catcher pads on the bottom of the rug and floor tool should be checked occasionally. Replace the pads if they appear worn.

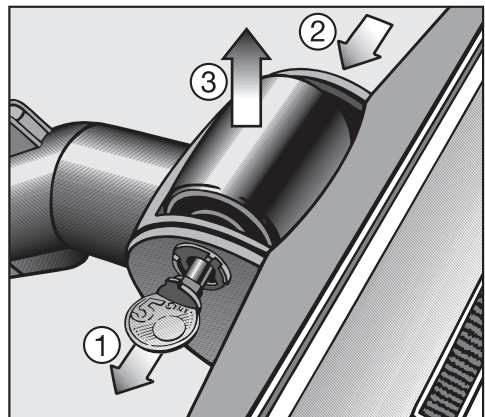
- Use a screwdriver as shown to remove the thread catcher from the slot.
- Press the new thread catcher into the slot.




Servicing the floor roller

1. Unlock the axle lever.
2. Pull out the roller axle.
3. Remove the roller.

Remove all threads or hair and reassemble in the reverse order.




Cleaning and care

 Turn off the vacuum and unplug it from the outlet before performing any maintenance work.

Vacuum cleaner and accessories


The vacuum cleaner and other plastic accessories can be cleaned with a damp cloth or a cleaner suitable for plastics.

 Do not use abrasive, glass or all purpose cleaners! They will damage the surface.

Dust compartment

The dust compartment can, if necessary, be cleaned using a **dry** cloth, dusting brush or a second vacuum to remove any dust.

Monitor the dustbag change indicator and inspect all filters regularly. Clean or replace them when necessary according to these Operating Instructions.

 Do not submerge the vacuum in water. If moisture gets into the appliance there is the risk of an electric shock.

Frequently asked questions

What if the vacuum cleaner turns off while vacuuming?	
Possible fault	Solution
The vacuum has overheated. The temperature limiter switched off the vacuum automatically.	Turn off the vacuum at the On - Off switch. Check the wand and the suction hose for blockages. Replace the dustbag or filters if necessary. Unwind the full length of the power cord. Allow the vacuum to cool down for 30 minutes.
What if the suction of the vacuum is not strong enough?	
Possible fault	Solution
The suction power selector is set too low.	Increase the suction level.
The dustbag is full or clogged with fine dust particles.	Replace the dustbag.

Technical Service

In the event of a fault which you cannot fix yourself please contact the Miele Service Department at the phone number listed on the back of this booklet.

- Please quote the model type of your appliance.

This can be found on the data plate on the bottom of the vacuum.

Some models come equipped with one or more of the following accessories.

Observe the cleaning instructions of the floor manufacturer.

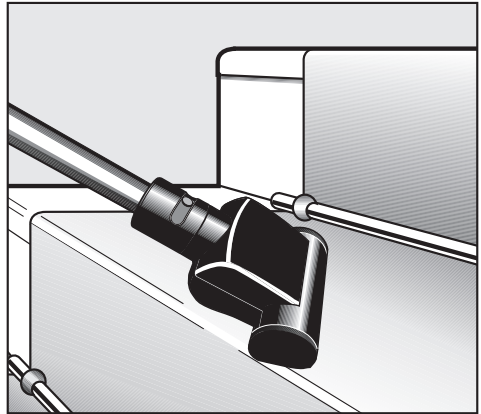
Turbobrush - Turbo Comfort-3

The Turbobrush is recommended for cleaning short to medium pile carpeting. It is mechanically driven by the suction power of the vacuum. In addition to dust particles it also removes stubbornly adhered threads, hairs and carpet fluff.



Hand Turbobrush - Turbo Mini

The Hand Turbobrush is intended for vacuuming upholstery, mattresses, car seats, carpeted stairs and other areas inaccessible with the standard Turbobrush.



Optional accessories

Floor brush - Hardfloor-3

To vacuum sturdy hard floors, e.g. tiles and stone floors.



Floor brush - Parquet-3

Special brush with natural bristles intended for cleaning parquet and laminate floors, especially those susceptible to scratching.

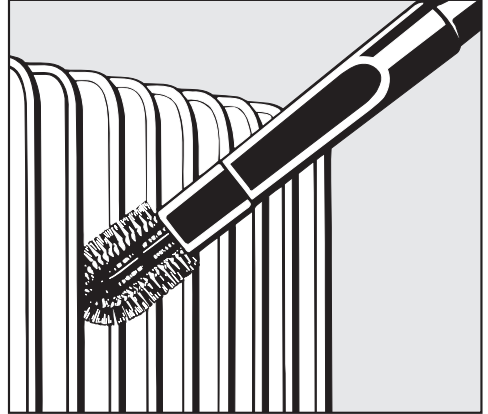
The parquet floor brush can be cleaned with the vacuum cleaner using the crevice nozzle if necessary.



Radiator brush

(only usable with the crevice nozzle)

For cleaning radiators, narrow shelves and crevices.



Dusting brush

For dusting delicate objects, woodwork such as base boards and window sills.

The head of the dusting brush can be swivelled for easier cleaning.



Universal brush

For dusting books, shelves, etc.



Optional accessories

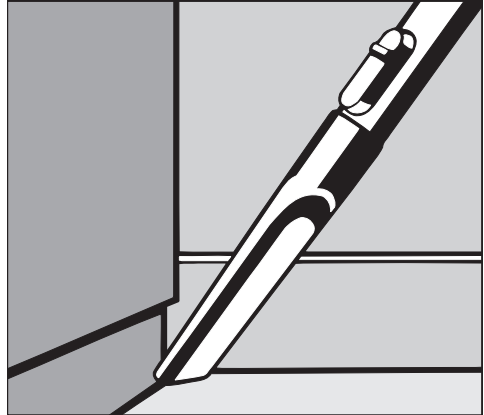
Mattress tool

For vacuuming mattresses and upholstery. Even deep crevices of a mattress can be vacuumed easily.



Crevice nozzle 12" (300 mm)

For cleaning in folds, crevices and corners.



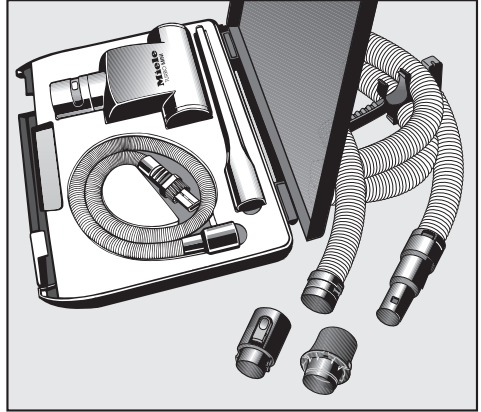
Optional accessories

CarClean Set Plus

Specially designed for cleaning car interiors.

Accessory set consists of:

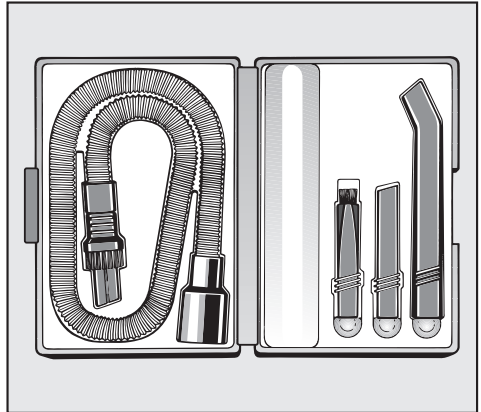
- Hand Turbobrush
- Micro hose with combi nozzle
- Crevice tool 12" (300 mm)
- Accessory carrying case, 10 ft (3 m) long suction hose and holder.



MicroSet

This set is specially designed for cleaning small objects and difficult to reach areas (such as PC keyboards, stereo equipment, carved furniture and ornaments, models, etc). Contents:

- Micro hose with combi nozzle (crevice nozzle and dust brush)
- Micro dust brush
- Micro crevice nozzle
- Extension



Caring for the environment

Disposal of packing materials

The cardboard box and packing materials protect the appliance during shipping.

Ensure that any plastic wrappings, bags, etc. are disposed of safely and kept out of the reach of children. These items pose a danger of suffocation.

Disposing of the dustbag and filters

These are made from environmentally friendly materials and can be placed in the regular household garbage. However, if the dustbag contains prohibited waste, contact your local waste collection center for disposal instructions.

Please have the model and serial number of your appliance available before contacting Technical Service.



U.S.A. Miele, Inc.

National Headquarters

9 Independence Way
Princeton, NJ 08540
Phone: 800-843-7231
609-419-9898
Fax: 609-419-4298
www.miele.com

Technical Service & Support Nationwide

Phone: 800-999-1360
Fax: 888-586-8056

TechnicalService@mieleusa.com

Canada Miele Limited

Headquarters and Showroom

161 Four Valley Drive
Vaughan, ON L4K 4V8
Phone: 800-643-5381
905-660-9936
Fax: 905-532-2290
www.miele.ca
professional@miele.ca
(commercial enquiries)

MieleCare National Service

Phone: 800-565-6435
905-532-2272
Fax: 905-532-2292
customercare@miele.ca
(general and technical enquiries)

Germany

Miele & Cie. KG
Carl-Miele-Straße 29
33332 Gütersloh

