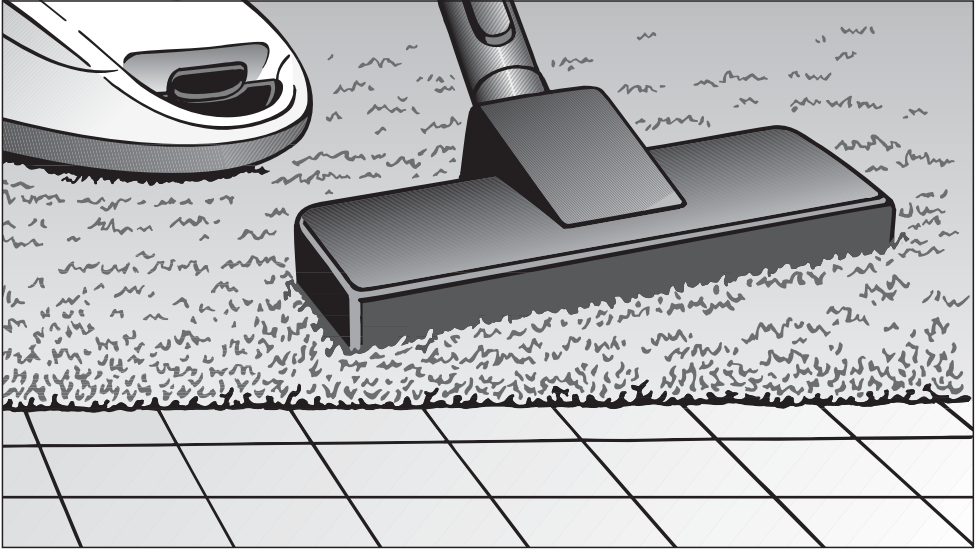


Miele

Operating instructions



Vacuum cleaner S 4002

**ONLY MIELE DUSTBAGS, FILTERS AND ACCESSORIES
WITH THE "ORIGINAL MIELE" LOGO CAN BE USED
WITH THIS VACUUM CLEANER.
USE OF NON-MIELE COMPONENTS MAY VOID THE WARRANTY.**

To prevent accidents
and appliance damage,
read these instructions
before
installation and use.


HS10

en - US, CA

M.-Nr. 09 406 840

Only Miele dustbags, filters and accessories with the "Original Miele" logo can be used with this vacuum. Only then can the suction power of the vacuum cleaner reach its optimum potential creating the best possible cleaning results.

USE OF NON-MIELE COMPONENTS MAY VOID THE WARRANTY.

 The use of dustbags made of paper or a similar material, or dustbags with a cardboard retaining plate can lead to serious damage to the vacuum cleaner and may void the warranty, just as with the use of dustbags without the "Original Miele" logo.

The "Original Miele" Logo will appear on the packaging or directly on the dustbag.



Purchasing new dustbags and filters

Original Miele dustbags and filters can be purchased from an authorized Miele vacuum dealer or by visiting the Miele store at www.mieleusa.com.

Contents

IMPORTANT SAFETY INSTRUCTIONS	5
Guide to the machine	10
Before using the vacuum cleaner	12
Using the included accessories	15
Operation	16
Power cord	16
Turning the vacuum on and off	17
Adjusting the suction	19
Opening the air inlet valve	21
Transport and storage	22
Maintenance and care	23
Purchasing new dustbags and filters	23
Which dustbags and filters are the right ones?	23
When to change the dustbag	24
Replacing the dustbag	25
Replacing the exhaust filter	26
Exhaust filter change indicator	27
Replacing the "Air Clean" filter	28
Replacing the "Active Air Clean" filter and the "Active HEPA" filter	29
Exchanging exhaust filters	30
When to change the dust compartment filter (motor protection)	31
Replacing the dust compartment filter (motor protection)	31
When to change the radio handpiece battery	31
How to change the radio handpiece battery	31
When to change the thread catcher pads of the FiberTeQ and upholstery tool	32
Replacing the thread catchers	32
Cleaning and care	33
Frequently asked questions / Technical Service	34
Optional accessories	35
Caring for the environment	37

IMPORTANT SAFETY INSTRUCTIONS

When using an electrical appliance, basic precautions should always be followed, including the following:

READ ALL INSTRUCTIONS BEFORE USING THIS APPLIANCE

KEEP THESE OPERATING INSTRUCTIONS FOR FUTURE REFERENCE

WARNING-

To reduce the risk of fire, electric shock or injury:

This vacuum cleaner complies with all legal current safety requirements. Improper use can, cause both personal injury and property damage.

Before using the vacuum cleaner, read the Operating Instructions carefully. This will protect you and others and prevent damage to the vacuum cleaner.

Use

- ▶ This vacuum cleaner is intended for use in domestic households or in similar working and residential environments.
- ▶ Do not use on people or animals.
- ▶ Do not use outdoors or on wet surfaces. Only **dry** surfaces should be vacuumed.
- ▶ Other uses are not permitted and can be dangerous.
- ▶ Persons who lack physical, sensory or mental abilities, or experience with the appliance should not use it without supervision or instruction by a responsible person.
- ▶ Do not allow the vacuum cleaner to be used as a toy. Close attention is necessary when used near children.

IMPORTANT SAFETY INSTRUCTIONS

Technical Safety

- ▶ A damaged vacuum cleaner can be dangerous. Check the packaging, vacuum cleaner and accessories for any signs of damage. Do not use a damaged appliance.
- ▶ Check the voltage rating of the vacuum cleaner before connecting the power cord to an electrical outlet. Your power source should correspond with the voltage rating plate located on the underside of the vacuum. Use only household AC outlets. Never use DC power sources. If you are not sure of your home's voltage supply, consult a qualified electrician. Connecting the vacuum cleaner to a higher voltage than indicated in these instructions may result in damage to the vacuum cleaner or injury.
- ▶ To reduce the risk of electric shock, this appliance has a polarized plug (one blade is wider than the other.) This plug will fit in a polarized outlet only one way. If the plug does not fit fully in the outlet, reverse the plug. If it still does not fit, contact a qualified electrician to install the proper outlet. Do not alter the plug in any way.
- ▶ If the power cord is damaged it should be replaced along with a new cable reel by Miele Technical Service.
- ▶ The electrical outlet must be fitted with a 15 A fuse.
- ▶ On the underside of the vacuum handpiece is a metal insert designed to absorb static electricity. Please make certain that your hand remains around this metal insert when vacuuming.
- ▶ Do not leave the vacuum plugged in. Unplug it from the outlet when not in use and before servicing.
- ▶ Turn off all controls before unplugging.
- ▶ Never submerge the vacuum cleaner in water. Clean only with a dry cloth or slightly damp cloth when disconnected from the mains supply. If moisture gets into the appliance there is a risk of electric shock.
- ▶ Repairs must only be performed by an authorized service agent in accordance with national and local safety regulations. Unauthorized repairs could cause injury or machine damage. The manufacturer cannot be held responsible for unauthorized work.

IMPORTANT SAFETY INSTRUCTIONS

Use

- ▶ Never use the vacuum cleaner without the dustbag or filters in place. Otherwise it could be damaged.
- ▶ If a dustbag is not inserted, the dust compartment lid will not close. Do not force it shut.
- ▶ Do not vacuum anything that is burning or smoking, such as cigarettes, matches, or hot ashes. The vacuum cleaner could catch fire.
- ▶ Do not use the vacuum cleaner to pick up liquids or damp dirt. This could impair the electrical safety of the vacuum cleaner. Wait for freshly shampooed carpets to dry.
- ▶ Do not vacuum toner dust. Toner, such as that used in printers and photocopiers can conduct electricity.
- ▶ This vacuum should not be used to entrap or retain any hazardous materials.
- ▶ Do not use to pick up flammable or combustible liquids, such as gasoline, or use in areas where they may be present. The vacuum cleaner could explode.
- ▶ Turn the vacuum cleaner off after each use and before every cleaning / maintenance. Pull the plug from the outlet.
- ▶ Unwind the cord completely to aid the vacuum in dissipating heat.
- ▶ Do not vacuum items which are heavy, hard or have sharp edges. They could cause a blockage and damage the appliance.
- ▶ Do not pull or carry by the cord, use the cord as a handle, close a door on the cord, or pull the cord around sharp edges or corners. Do not run the appliance over the cord. Keep the cord away from heated surfaces.
- ▶ Do not unplug by pulling on the cord. To unplug, grasp the plug, not the cord.
- ▶ Do not handle the plug or vacuum with wet hands.
- ▶ Keep the power cord, hair, loose clothing, fingers and all parts of the body away from openings and moving parts.
- ▶ Do not place anything into the openings of the vacuum cleaner. Do not use if any openings are blocked; keep them free of dust, lint, hair, or anything that may reduce air flow.
- ▶ This appliance is equipped with a power cord reel. Hold the plug when rewinding onto cord reel. Do not allow the plug to whip when rewinding.
- ▶ Use extra care when cleaning on stairs.
- ▶ Turn off all controls before unplugging.

IMPORTANT SAFETY INSTRUCTIONS

Accessories

▶ Do not use the vacuum without an accessory attached. The rim could be damaged and injuries could result from sharp edges.

▶ Only use genuine Miele dustbags with the Miele quality signet and original Miele filters and accessories. Only then will the manufacturer guarantee its safety.

▶ Floor attachments, accessories and wands must not be used at head level to avoid injury to eyes and ears.

▶ Miele dust bags are disposable and intended to be used only once. Do not attempt to reuse. An over stuffed dustbag will reduce the efficiency of the vacuum cleaner.

▶ The hose and the telescopic wand contain electrical wires. Do not use the vacuum cleaner if these parts are damaged, cut or punctured. Avoid picking up sharp objects. Danger of electric shock!

▶ Unplug the vacuum when changing accessories, especially the Turbobrush, and Powerbrush.

▶ To avoid the risk of injury when vacuuming with a Miele Power or Turbobrush do not touch the rotating roller brush. Danger of injury.

▶ The socket on the vacuum cleaner (depending on model) must only be used for the Miele Powerbrush specified for use with this appliance.

▶ Danger of injury. The Miele Powerbrush is a motor driven accessory for use only with Miele vacuum cleaners. The vacuum cleaner must not be used with another manufacturer's powerbrush.

Disposal


▶ Remove the battery from the radio handpiece and recycle it.

▶ Before discarding an old vacuum cleaner, please cut off the power cord and render the plug useless. Ensure the appliance presents no danger to children while being stored for disposal.

IMPORTANT SAFETY INSTRUCTIONS

FCC and Industry Canada information:

This device complies with part 15 of the FCC Rules. Operation is subject to the following two conditions: (1) This device may not cause harmful interference, and (2) this device must accept any interference received, including interference that may cause undesired operation.

 Warning: Changes or modifications to this unit not expressly approved by the party responsible for compliance could void the user's authority to operate the equipment.

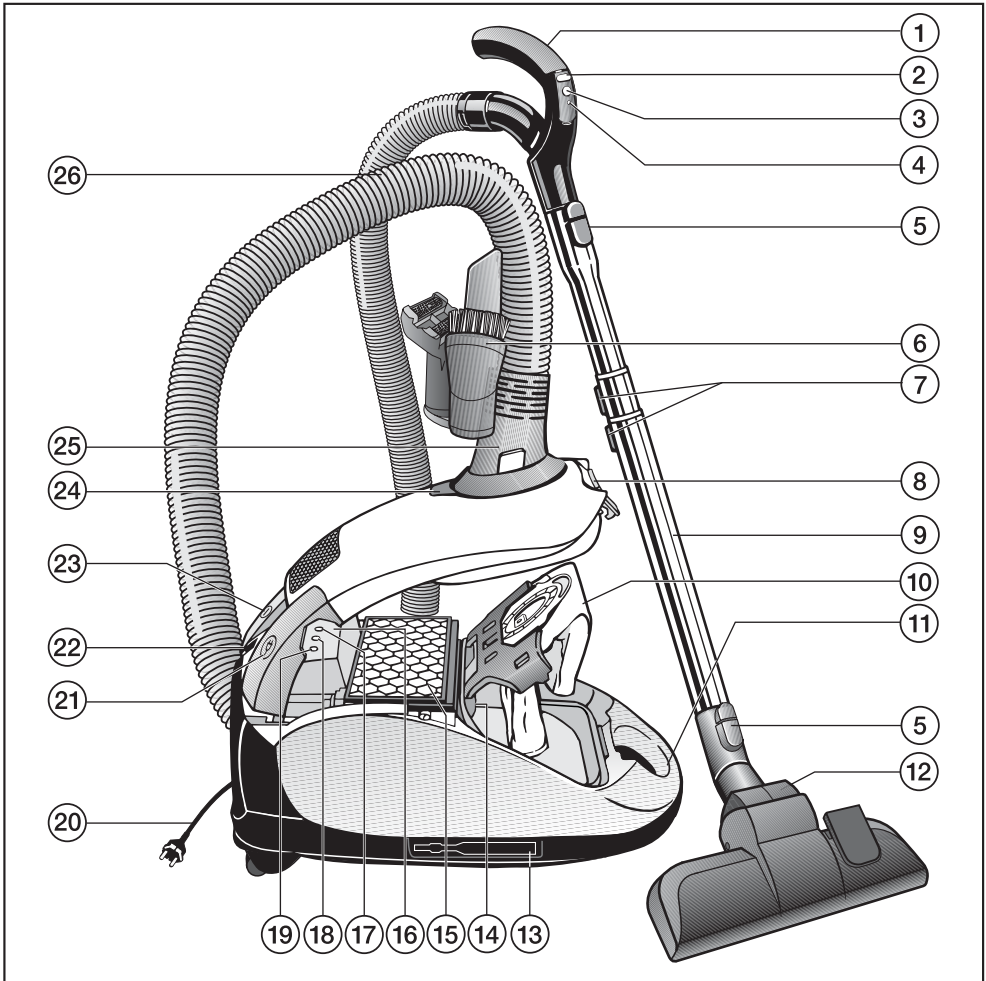
Note:

This equipment has been tested and found to comply with the limits for a Class B digital device, pursuant to Part 15 of the FCC Rules. These limits are designed to provide reasonable protection against harmful interference when the equipment is operated in a residential installation. This equipment generates, uses and can radiate radio frequency energy, and if not installed and used in accordance with the instructions, may cause harmful interference to radio communications. However there is no guarantee that interference will not occur in a particular installation. If this equipment does cause harmful interference to radio or television reception, which can be determined by turning the equipment off and on, the user is encouraged to try to correct the interference by one or more of the following measures:


- Reorient or relocate the receiving antenna
- Increase the separation between the equipment and receiver.
- Connect the equipment into an outlet on a circuit different from that to which the receiver is connected.
- Consult the dealer or an experienced radio/TV technician for help.

SAVE THESE INSTRUCTIONS

Guide to the machine



Some models come standard with a Turbobrush, which is not shown in this figure. A separate Operating manual is supplied with the vacuum.

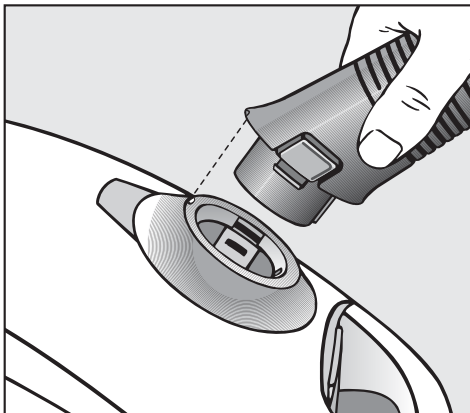
- ① Handpiece (some models may include an air inlet valve) *
- ② Suction power buttons + / - *
- ③ Standby switch *
- ④ LED *
- ⑤ Locking button
- ⑥ Accessory clip
- ⑦ Telescopic wand release button *
- ⑧ Dust compartment lid release
- ⑨ Telescopic wand *
- ⑩ Dustbag
- ⑪ Carrying handle
- ⑫ Floor brush *
- ⑬ Transport/storage holder
- ⑭ Dust compartment filter (motor protection)
- ⑮ Exhaust filter *
- ⑯ Suction power selector *
- ⑰ Standby indicator *
- ⑱ Thermo indicator  *
- ⑲ Exhaust filter change indicator (Reset button) *
- ⑳ Power cord with plug
- ㉑ Cord rewind switch
- ㉒ Park-System
- ㉓ On / Off switch
- ㉔ Airflow indicator
- ㉕ Elbow
- ㉖ Suction hose

The features marked * may vary or not be available depending on your model.

Before using the vacuum cleaner

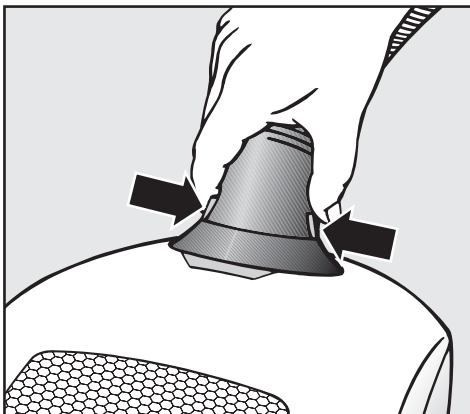
Attaching the suction hose

- Insert the elbow into the suction socket until it clicks. Use the inlet guides to direct insertion.



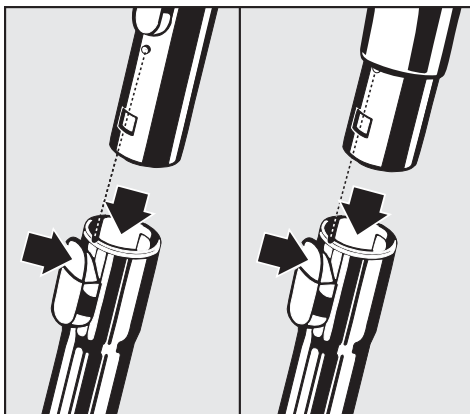
Removing the suction hose

- Press the release buttons at the sides of the elbow and lift the hose from the socket.



Connecting the handpiece and telescopic wand

- Insert the handpiece into the telescopic wand until it clicks. Use the inlet guides to direct insertion.
- To release the handpiece from the telescopic wand press the locking button (see arrow) and pull the handpiece away from the telescopic wand.



Before using the vacuum cleaner

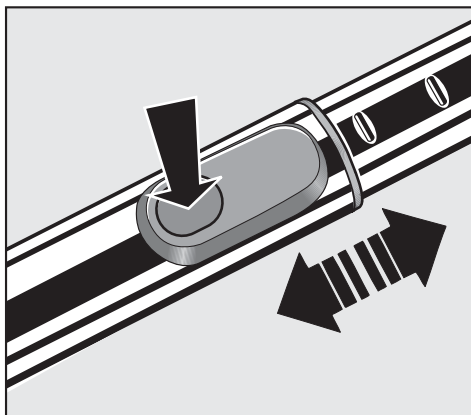
Depending on your model, the vacuum will include one of the following telescopic wands:

- Telescopic wand
- XXL telescopic wand

Adjusting the telescopic wand

One section of the telescopic wand is inside the other and can be adjusted for comfortable vacuuming.

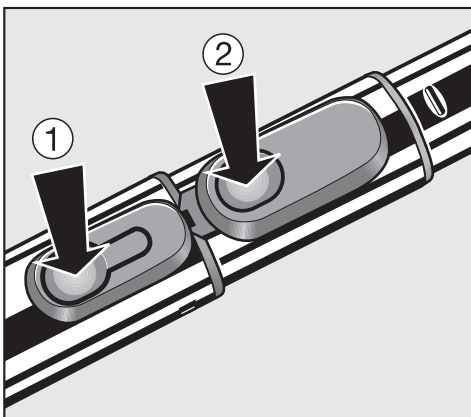
- Press the telescopic wand release button (see arrow) to release the tubes and adjust to the desired height.



Adjusting the XXL telescopic wand

This telescopic wand consists of three sections which are height-adjustable.

- Pull and extend the lower section of the wand, ①, until it clicks. Press the release button if you want to retract the lower section again.
- Press the adjustment button, ②, to release the tubes and adjust to the desired height.



Before using the vacuum cleaner

Attaching the floor brush

- Insert the wand into the floor brush and twist until it locks with a click.
- To release the floor brush from the telescopic wand, press the locking button (see arrow) and pull the wand out of the floor brush.

Observe the cleaning instructions of the floor manufacturer.

SBB -3 Smooth Floor Brush

The floor brush is suitable to vacuum sturdy hard floors, e. g. tiles and stone floors.

SBD 470-3 FiberTeQ Combination Floor Tool

The floor tool is suitable for cleaning carpets, rugs, and hard surfaces. For flooring susceptible to scratches, use one of the special Miele floor brushes (see "Optional accessories").

To clean carpets and area rugs:

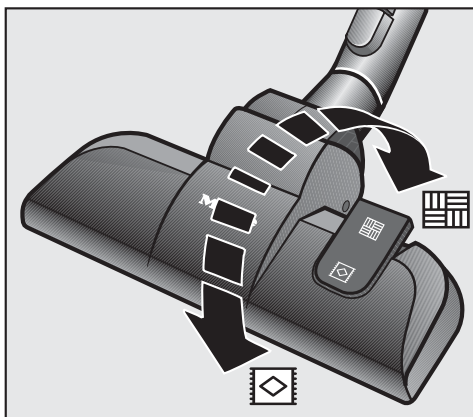
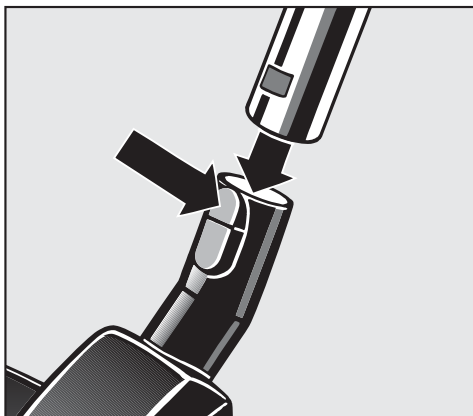
- Press the foot switch marked .

To clean hard flooring:

- Press the foot switch marked .

Turbobrush

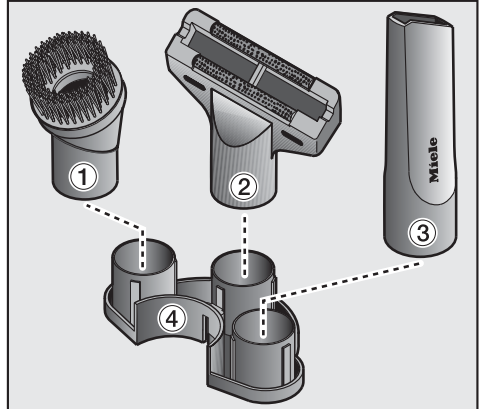
Some models come with a Turbobrush as an accessory. Please refer to the separate operating instructions for instruction on use and maintenance.



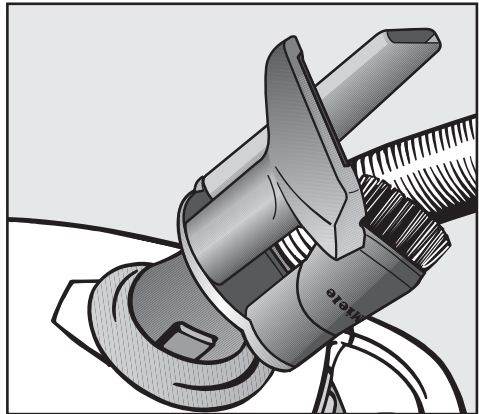
Using the included accessories

The following accessories are included:

- ① **Dust brush with natural bristles**
For cleaning moldings, decorative or carved items, etc.
The head of the dusting brush can be swivelled to attain the best cleaning position.
For dusting particularly delicate objects.
- ② **Upholstery tool**
For cleaning upholstery, mattresses, cushions, curtains, covers, etc.
- ③ **Crevice nozzle**
For cleaning in folds, crevices and corners.



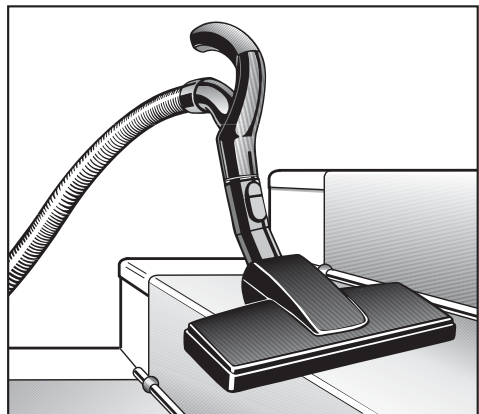
- ④ **Accessory clip for the included accessories**
Position the accessories as indicated with the symbols on the accessory holder.
- Insert the accessory holder either on the hand piece at the handle or on the hose connector of the vacuum cleaner.



Standard floor brush


(depending on model)

- For safety, when vacuuming stairs it is best to start at the bottom and move upwards.



Operation

Power cord

 Unwind the cord completely to aid the vacuum in dissipating heat.


Do not pull or carry by the cord, use the cord as a handle, close a door on the cord, or pull the cord around sharp edges or corners. Do not run the appliance over the cord. Keep the cord away from heated surfaces.

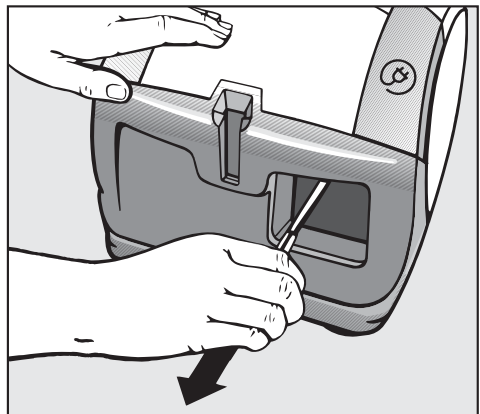
Do not unplug by pulling the cord. To unplug grasp the plug, not the cord.

This appliance is equipped with a power cord reel. Hold the plug when rewinding onto cord reel. Do not allow plug to whip when rewinding.

Unwinding

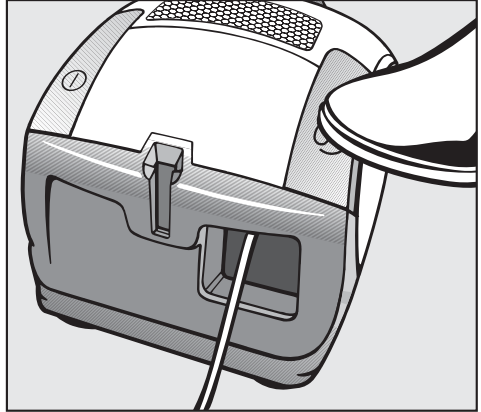
- Hold the plug and pull the power cord out to the required length (maximum 18 ft / 5.5 m).

 To reduce the risk of electric shock, the vacuum has a polarized plug (one blade is wider than the other). This plug will fit in a polarized outlet only one way. If the plug does not fit fully in the outlet, reverse the plug. If it still does not fit, contact a qualified electrician. Do not alter the plug in any way. Danger of overheating and damage.



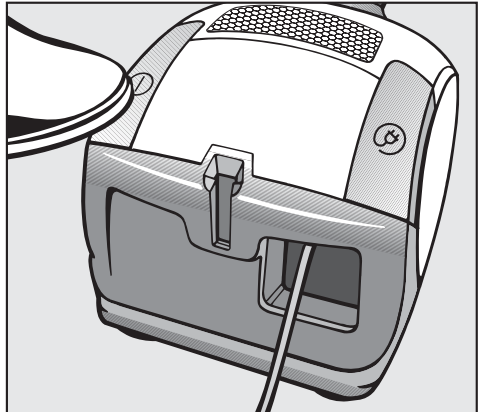
Rewinding

- Unplug the vacuum from the outlet.
- Press the rewind switch briefly and the power cord will rewind automatically.
- Press the rewind switch again to stop the rewinding.
- Hold the plug so that it does not whip around when rewinding.



Turning the vacuum on and off

- Press the On/Off switch.



Operation

Models with radio frequency controls

The operating state is shown by the Standby indicator on the vacuum.

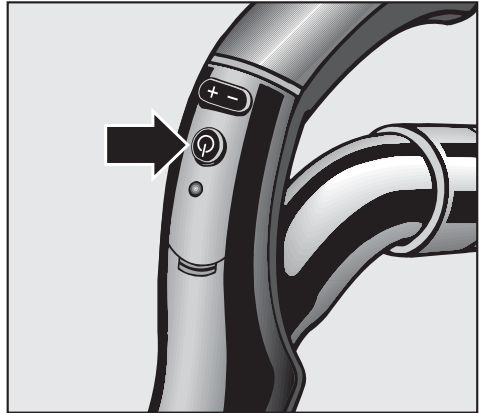
The vacuum can be switched to a standby mode during pauses.

- Press the Standby button on the handpiece.

To turn the vacuum on again:

- Press the Standby button on the handpiece. The vacuum cleaner turns on to the last selected power level.
- Press – to turn the vacuum cleaner on at the lowest power level.
- Press + to turn the vacuum cleaner on at the highest power level.

Every push of a button on the radio handpiece is displayed by the indicator light.



The vacuum can still be used if the battery in the radio handpiece is weak or not inserted at all.

- Turn the vacuum on with the foot switch.
- Press the Reset button.


The vacuum will operate continuously on the maximum suction power.

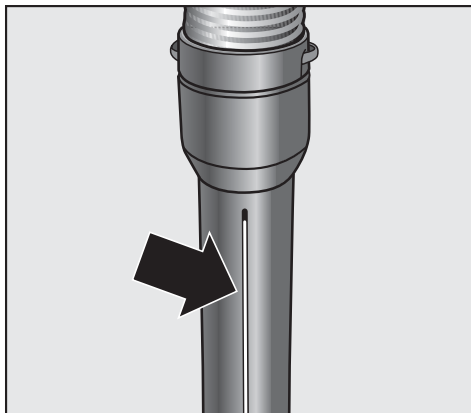
- Turn the vacuum off with the foot switch.

Only use the Standby mode for short pauses during vacuuming. Do not leave the vacuum in Standby mode, there is a danger of overheating and damage.

While vacuuming





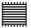

The vacuum cleaner can also stand on its end for vacuuming stairs, drapes etc.

 To prevent static electricity your hand must touch the metal inlay on the underside of the vacuum handpiece. Be certain to continuously touch this inlay when vacuuming fine dust, flour or sawdust as these materials are more likely to create a static discharge. To further prevent static discharge while vacuuming, pull the vacuum along by the hose with one hand while continuing to hold the handpiece in the other hand.



Adjusting the suction

The symbols on the controls indicate what each setting is suitable for.

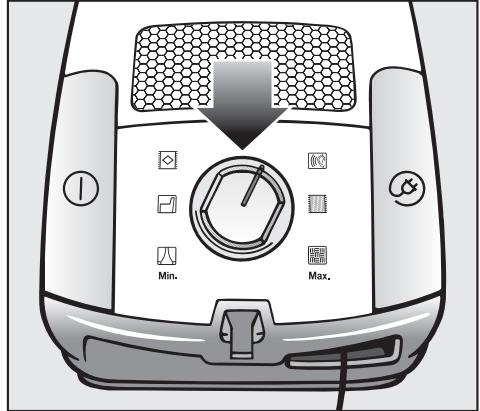
-  curtains, lightweight fabrics
-  upholstery, cushions
-  thick pile carpets, rugs and runners
-  energy-saving, daily vacuuming with low noise level
-  low pile carpets
-  hard flooring, and intensive cleaning of carpets

Operation

The controls vary from model to model, and are described as follows.

Rotary selector

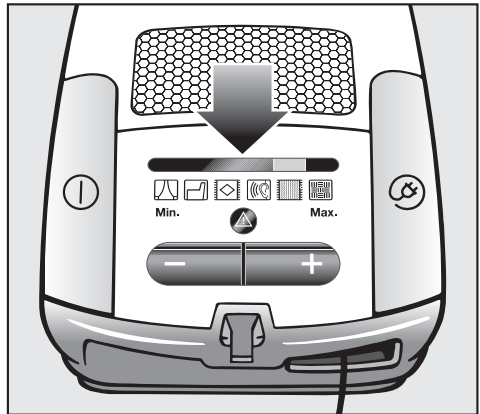
- Turn the rotary selector to the desired suction power setting.



+ / – controls

Press the controls until the light bar above the desired suction power setting is illuminated.

- Press the + control to select a higher setting.
- Press the – control to select a lower setting.

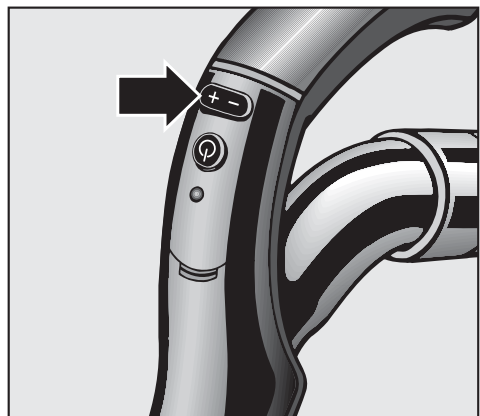


+ / – at the radio handpiece

Press the controls until the desired suction power is shown in the vacuum display on the canister.

- Press the + control to select a higher setting.
- Press the – control to select a lower setting.

Every push of a button at the handpiece is displayed by the indicator light.



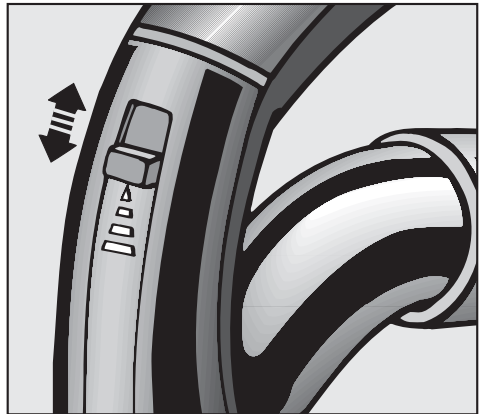
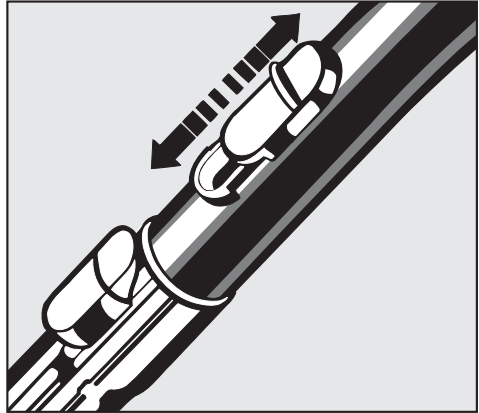
Opening the air inlet valve

(not available in models with radio handpiece)

The air inlet valve is designed to provide a quick, convenient reduction of suction power, e.g. when moving from a carpet to an area rug.

- Open the air inlet valve far enough to reduce the power.

Opening the air inlet valve reduces the power to the tool being used.

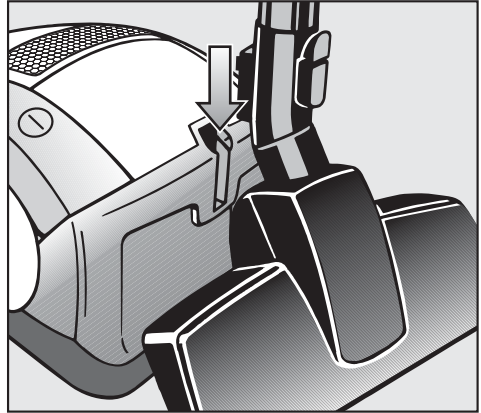


Transport and storage

Park-System

A Park-System has been designed to conveniently park the telescopic wand at the vacuum cleaner during pauses.

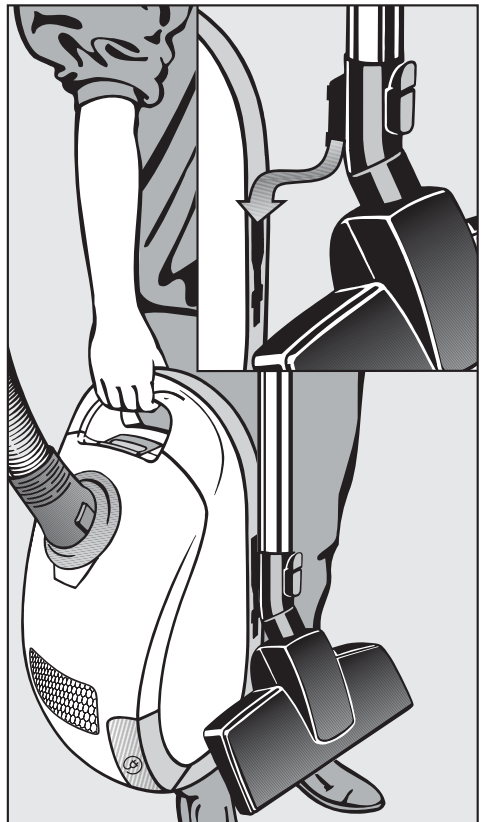
- A special parking attachment is fitted to all floor brushes. Insert the lower clip of the floor brush into the slot on the end of the vacuum cleaner from above.




When vacuuming on a sloping surface, e.g. on a ramp, push all telescopic tubing parts completely together.

Transport and storage

- For easier transportation and storage
 - stand the vacuum cleaner vertically.
 - insert both clips of the floor brush into the two point holder on the side of the vacuum.
 - insert one part of the telescopic wand into the other (depending on model).




 Turn off and unplug the vacuum cleaner before performing any maintenance work.

The Miele filter system consists of the following three components.

- Dustbag
- Exhaust filter
- Dust compartment filter

Each of these components must be changed periodically to maintain the vacuum cleaner's efficiency.

Only use Miele dustbags, filters and accessories with the "Original Miele" logo. Only then can the suction power of the vacuum cleaner reach its optimum potential creating the best possible cleaning results.

 The use of dustbags made of paper or a similar material, or dustbags with a cardboard retaining plate can lead to serious damage to the vacuum cleaner and possibly voiding the warranty, just as with the use of dustbags without the "Original Miele" logo.

Purchasing new dustbags and filters

Original Miele dustbags and filters can be purchased from an authorized Miele vacuum dealer or by visiting the Miele store at <http://store.miele.com>.

Which dustbags and filters are the right ones?

This vacuum cleaner uses Original Miele dustbags Type **F/J/M** and an Original Miele filters, the "Original Miele" Logo will appear on the packaging or directly on the dustbag.



An "Air clean" exhaust filter and a dust compartment filter are supplied with every box of Miele dustbags. If you would like to purchase additional Miele filters separately, contact your vacuum dealer or Miele, please quote the model number of your Miele vacuum cleaner to ensure correct parts are ordered. These parts are also available to order from the online Miele store.

The exhaust filter supplied with the vacuum cleaner can be exchanged with another type of Original Miele filter (see "Exchanging exhaust filters").

Maintenance and care

When to change the dustbag

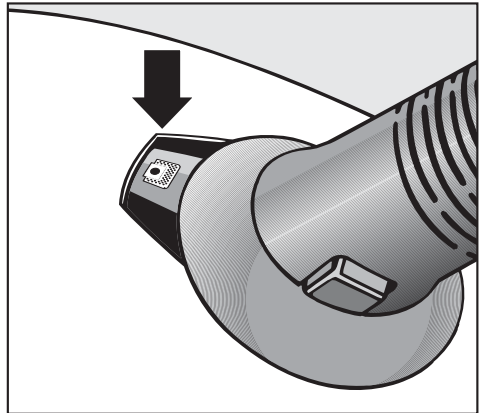
Change the dustbag when the colored marker in the airflow indicator fills the display.

The dust bags are disposable and intended to be used only once. Do not attempt to reuse.

Checking the airflow indicator

Perform this test with the SBD 470-3 FiberTeQ Floor Brush only, since other attachments can affect the function of the airflow indicator. If your vacuum cleaner is equipped with a SBB -3 Smooth Floor Brush, the test cannot be performed.

- Attach the floor tool to the vacuum cleaner.
- Turn the vacuum cleaner on and select the highest power setting.
- Lift the floor tool slightly off the floor. If the marker completely fills the indicator window, the dust bag needs to be changed.



How the airflow indicator works

The airflow indicator is designed to show when the bag is full of common household dust and to measure the amount of air flow through the dustbag. Normal household dust is a mixture of dust, hair, carpet fluff, threads, sand, etc.

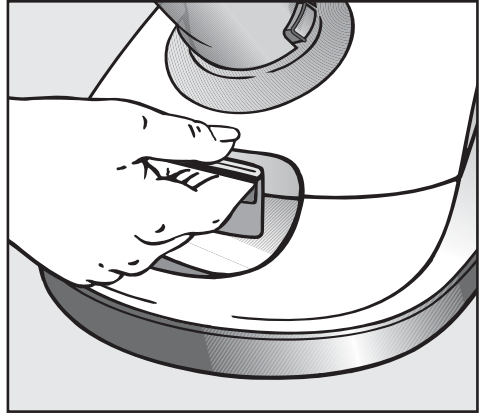
However, if fine dust, such as drill dust, sand, plaster or flour is vacuumed, the pores of the dustbag will become blocked. The marker will indicate that the bag is "full" even when it is not. The dustbag should be changed because the suction power is greatly reduced.

If the bag is bulging with pet fur, hair, carpet fluff, etc., the indicator may not register "full". This is because the air flow of the dustbag may still be high enough not to activate the marker to show maximum. The dustbag should still be changed.

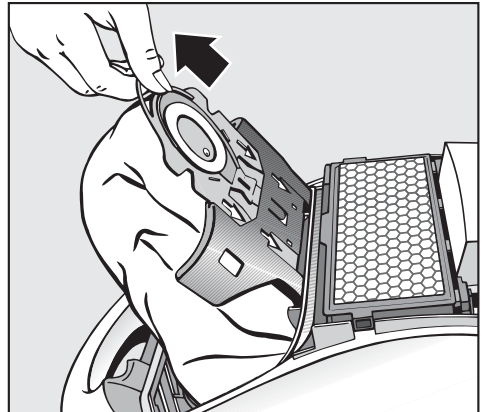
Replacing the dustbag

- Open the dust compartment lid.

The dustbag has a closing flap which closes automatically when the dust compartment lid is raised to prevent any dust from escaping.



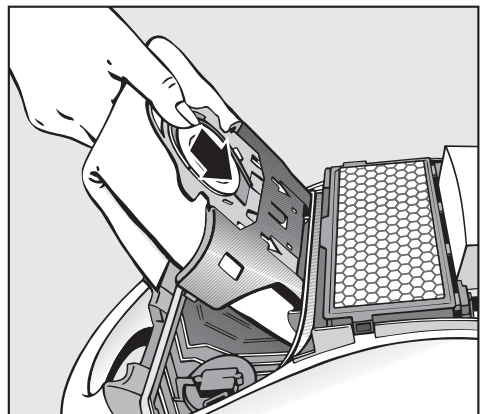
- Grasp the collar and remove the dustbag from the holder.




- Insert the new dust bag as far as it will go into the dustbag holder. Do not unfold the dustbag when taking it out of the box.

- Unfold the dustbag in the dust compartment.

- Close the dust compartment lid until it clicks into place. Take care not to catch the dust bag in the lid.



 A empty-operation-barrier will block the dust compartment lid from closing if no dustbag is inserted or if it is not inserted all the way. Do Not Use Force!

Maintenance and care

Replacing the exhaust filter

Depending on model, the vacuum cleaner will be equipped with one of the following exhaust filters:

- a** Air Clean filter
- b** Active Air Clean filter
- c** Active HEPA filter

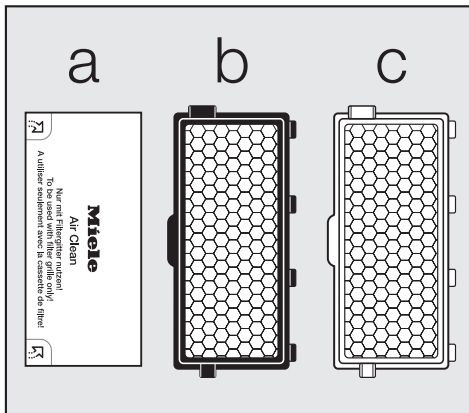
"Air Clean" filter

An "Air Clean" filter is supplied with every box of Miele dustbags. It should be replaced each time a new box of bags is started.

"Active Air Clean" or the "Active HEPA" filter

An "Active Air Clean" or "Active HEPA" filter should be changed approximately once a year. Change the filter sooner if it is obviously soiled or no longer effective.

It is helpful to note the date directly on the filter as a reminder for when to next change it. See "Optional Accessories" for filter descriptions.



Exhaust filter change indicator

Some models are equipped with an exhaust filter change indicator (Reset button) which is designed to alert the user when to change the "Active Air Clean" or "Active HEPA" filter.

The indicator will light after about 50 hours of operation which is equivalent to about a year of average use. The vacuum cleaner can still be used with the exhaust filter indicator lit. However, the suction power will be reduced as will the effectiveness of the filter if it is not replaced.

If an Air Clean filter, **a**, is being used, the filter change indicator can be disregarded but should be reset when it does light. The indicator goes out when the reset button is pressed.

You can replace the exhaust filter supplied with the vacuum cleaner with one of the other types of filters (see "Optional accessories").



Maintenance and care

Replacing the "Air Clean" filter

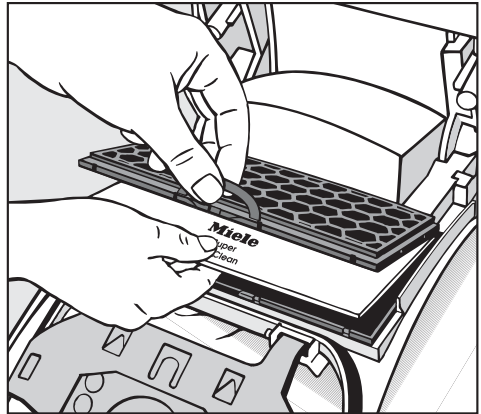
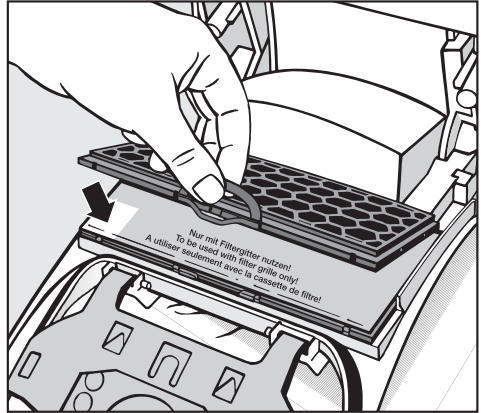
- Open the dust compartment lid.
- Open the filter frame and remove the used "Air Clean" filter with the clean corner (see arrow).

Do not use more than one filter at a time.

- Insert the new filter.
- Close the filter frame.

If you wish to replace the Air Clean filter with an Active Air Clean filter or Active HEPA filter see "Maintenance and care - Exchanging exhaust filters".

- Close the dust compartment lid firmly until it clicks into place.

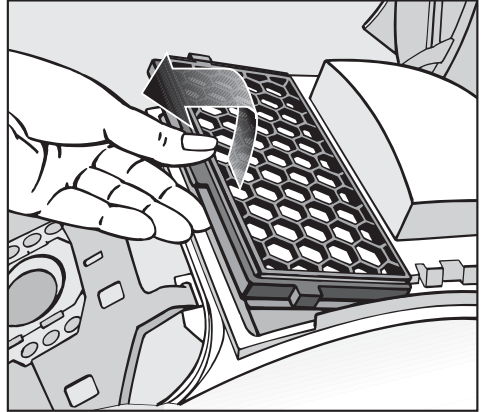


Replacing the "Active Air Clean" filter and the "Active HEPA" filter

- Open the dust compartment lid.

Do not use more than one filter at a time.

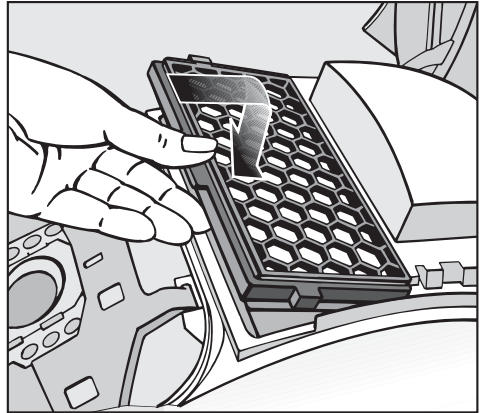
- Remove the exhaust filter.



- Insert the new filter.

If you wish to replace the Active Air Clean filter or the Active Hepa filter with an Air Clean filter see "Maintenance and care - Exchanging exhaust filters".

- Close the dust compartment lid firmly until it clicks into place.



Resetting the filter change indicator

The filter change indicator (Reset button) must be reset each time the filter is replaced. To do this, the vacuum cleaner must be plugged in.

- Press and hold the filter change indicator light until it goes out.

The display is now reset.



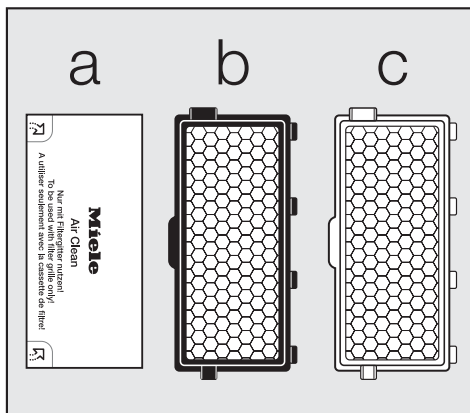
Maintenance and care

Exchanging exhaust filters

1. If you wish to replace the **a**n Air Clean filter with the **b** Active Air Clean filter or the **c** Active HEPA filter, you must remove the filter frame before inserting the new filter.

2. If you use an Air Clean filter **a** you must insert it into a filter frame.

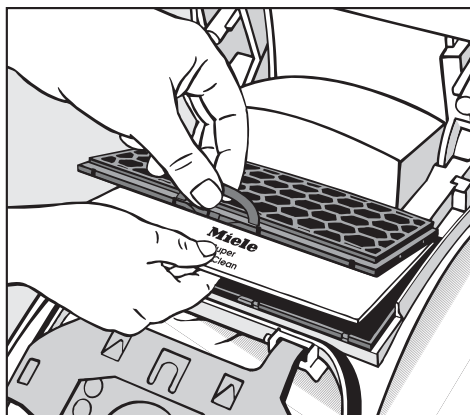
* Filter frame - see "Optional accessories".



Do not use more than one filter at a time.

The Active Air Clean filter can be used instead of the Active HEPA filter and vice versa without any changes.

Remember to reset the filter change indicator with the Reset button after every filter change. The indicator will go out when the reset button is pressed.



Reset

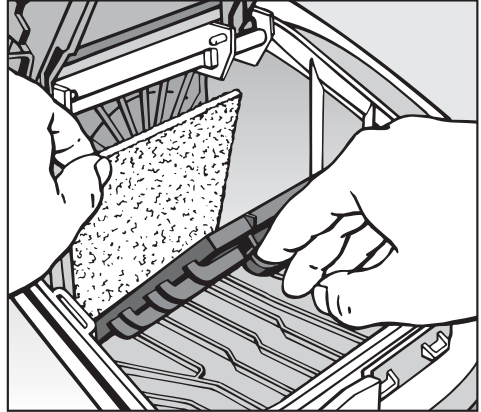


When to change the dust compartment filter (motor protection)

Replace the dust compartment filter every time you start a new box of dustbags. A dust compartment filter is supplied with each box of Miele dustbags.

Replacing the dust compartment filter (motor protection)

- Open the dust compartment lid.
- Open the filter frame, remove the old filter and replace with a new one.
- Close the filter frame.



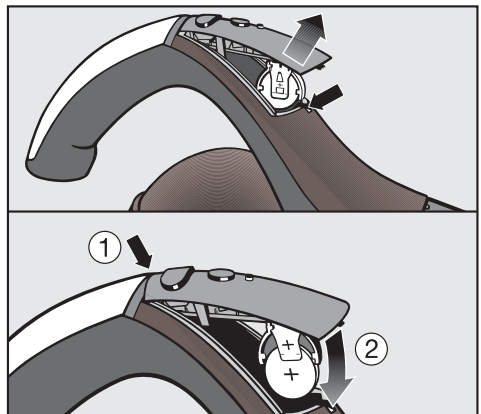
When to change the radio handpiece battery

Every 18 months

Keep a 3 V lithium (CR 2032) battery handy.

How to change the radio handpiece battery

- Release the battery compartment cover using a suitable tool, e. g. a screwdriver.
- Remove the cover.
- Push the battery forward to remove, replace with a new one.
- Close the battery compartment.



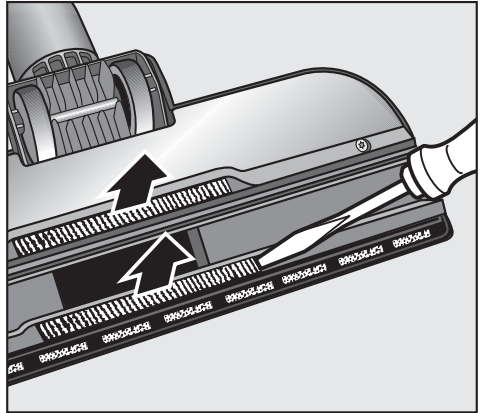
Maintenance and care

When to change the thread catcher pads of the FiberTeQ and upholstery tool


The thread catcher pads on the bottom of the FiberTeQ floor tool and the upholstery tool should be checked occasionally. Replace the pads if they appear worn.

Replacing the thread catchers

- Use a screwdriver or similar object to remove the thread catchers from the slots.
- Insert the new thread catchers.




Spare parts are available from your Miele dealer or from Miele.

 Turn off the vacuum and unplug it before performing any maintenance work.

Vacuum cleaner and accessories


External surfaces of the vacuum cleaner and accessories can be cleaned with a slightly damp cloth or with a cleaner suitable for plastics.

 Do not use abrasive, glass or all purpose cleaners, or oil-based conditioning agents! They will damage the surface.


Dust compartment


The dust compartment can, if necessary, be cleaned using a **dry** cloth, dusting brush or a second vacuum to suck out any

Monitor the change dustbag indicator and inspect all filters regularly. Clean or replace them when necessary according to these Operating Instructions.

 Do not submerge the vacuum in water! If moisture gets into the appliance there is the risk of an electric shock.

Frequently asked questions / Technical Service

Some models have a warning light  which comes on to indicate overheating.

If the vacuum has overheated the temperature limiter automatically turns the vacuum off. Some models also have a warning light  to indicate that the vacuum has overheated.

This can occur if, for instance, large articles block the suction tube or when the filter bag is full or contains particles of fine dust. A heavily soiled exhaust or dust compartment filter can also be the cause of overheating. Turn off the vacuum cleaner using the On/Off switch.

Unwind the full length of the power cord. Allow the vacuum to cool down for 30 minutes.

After sales service

In the event of a fault which you cannot fix yourself please contact the Miele Service Department at the phone number listed on the back of this booklet.

- Please quote the model type of your appliance.

This can be found on the data plate on the bottom of the vacuum.



Observe the cleaning instructions of the floor manufacturer.

Many of these accessories as well as other products can be purchased from the Miele Store at www.Mieleusa.com.

Some models come standard with one or more of the following accessories.

Turbo / Floor brushes

Turbobrush Turbo Comfort - 3

Intended for cleaning short to medium pile carpeting.

Hand Turbobrush Turbo Mini

Intended for vacuuming upholstery, mattresses, car seats, carpeted stairs and other areas inaccessible with the standard Turbobrush.

Floor brush Hard floor - 3

To vacuum sturdy hard floors, e.g. tiles and stone floors.

Floor brush Parquet - 3

Special brush with natural bristles intended for cleaning parquet and laminate floors, especially those susceptible to scratching.

Floor brush Parquet Twister with swiveling head

For cleaning all hard flooring, e.g. parquet and tiles. Especially suitable for vacuuming niches and tight spaces.

Floor brush Parquet Twister XL with swiveling head

For cleaning large areas of hard flooring, e.g. parquet and tiles.

Optional accessories

Other accessories

MicroSet

For cleaning small objects and difficult to reach areas (such as PC keyboards, stereo equipment, carved furniture and ornaments, models, etc).

CarCare accessory case

For cleaning car interiors.

Cat&Dog accessory case

For cleaning the homes of pet owners.

HomeCare accessory case

For cleaning your home.

Universal brush

For dusting bookshelves, mantles, molding, ceiling fans, sculptures, etc.

Dust brush with natural bristles

For dusting particularly delicate objects.

Radiator brush

For cleaning radiators, vents, refrigerator coils, air conditioners, decorative vases, etc.

Mattress tool

For cleaning deep crevices, mattresses and upholstery.

Crevice nozzle 12" (300 mm)

For cleaning in folds, crevices, corners, etc.

Crevice nozzle 22" (560 mm)

For cleaning hard to reach areas.

Upholstery tool 7 ½" (190 mm)

For cleaning upholstered furniture, mattresses and pillows.

Filters

Active Air Clean filter SF-AAC 50

This charcoal filter absorbs odors from the dust collected in the dustbag.

Active HEPA filter SF-AH 50

This filter are particularly suitable for allergy sufferers and those concerned with a high level of hygiene.

Filter frame

The filter frame is needed if you would like to exchange a Air Clean filter with an Active Air Clean or Active HEPA filter.

Disposal of the packing material

The cardboard box and packaging protect the vacuum cleaner during shipping. These materials are recyclable. Please recycle.

Ensure that any plastic wrappings, bags etc. are disposed of safely and kept out of the reach of children.
Danger of suffocation!

Disposal of an old machine

Old vacuum cleaners may contain materials that can be recycled. Please contact your local recycling authority about the possibility of recycling these materials.

Please have the model and serial number of your appliance available before contacting Technical Service.

The Miele logo is displayed in a bold, white, serif font against a solid black rectangular background.

**U.S.A.
Miele, Inc.**

National Headquarters

9 Independence Way
Princeton, NJ 08540
Phone: 800-843-7231
609-419-9898
Fax: 609-419-4298
www.mieleusa.com

**Technical Service & Support
Nationwide**

Phone: 800-999-1360
Fax: 888-586-8056
TechnicalService@mieleusa.com

**Canada
Miele Limited**

Headquarters and Showroom

161 Four Valley Drive
Vaughan, ON L4K 4V8
Phone: 800-643-5381
905-660-9936
Fax: 905-532-2290
www.miele.ca
professional@miele.ca
(commercial enquiries)

MieleCare National Service

Phone: 800-565-6435
905-532-2272
Fax: 905-532-2292
customercare@miele.ca
(general and technical enquiries)