

INSTRUCTIONS FOR USE

For single patient use (one person) only



INCLUDES INSTRUCTIONS FOR THE PARI LC® PLUS NEBULIZER

IMPORTANT: READ INSTRUCTIONS AND SAFETY PRECAUTIONS BEFORE USE



AEROSOL DELIVERY SYSTEM

READ ALL WARNINGS AND INSTRUCTIONS BEFORE USE. USE THE PRODUCT ONLY FOR ITS INTENDED USE AS DESCRIBED IN THESE INSTRUCTIONS FOR USE. IMPROPER USE CAN RESULT IN SERIOUS OR FATAL ILLNESS/INJURY, IMPROPER TREATMENT OR PROPERTY DAMAGE.

! REMEMBER

■ REPLACE YOUR REUSABLE NEBULIZER CUP EVERY SIX MONTHS



AEROSOL DELIVERY SYSTEM

Welcome to the Vios experience! The Vios™ Aerosol Delivery System is designed from PARI's long legacy of clinically proven products and consists of two important components: a Vios™ compressor and a PARI nebulizer. Vios™ was inspired by the Latin and Greek words for "Life" and our goal is to improve your quality of "Life" through the efficient delivery of aerosol.

Your physician has prescribed the Vios™ to treat your respiratory symptoms because of PARI's reputation for consistent particle size and fast treatments resulting in targeted delivery to the lungs. PARI products have been used in more than 25 clinical trials for new nebulized medications. Designed with the patient in mind, these instructions will help you achieve the best aerosol therapy experience.

We hope the Vios experience allows for a "Life Inspired".

SAVE THESE INSTRUCTIONS
FOR FUTURE USE

INDICATIONS FOR USE: LC® PLUS

The PARI LC® Plus reusable nebulizer is used to deliver aerosolized medication to the lungs. This nebulizer is used with patients for whom a physician has prescribed medication for aerosol treatments in the home, doctor's office, hospital, or clinic.

A. SAFETY PRECAUTIONS - LC® PLUS

▲ CAUTION

US Federal Law restricts this device to sale by or on the order of a physician. Use only when prescribed by a physician and with the prescribed medication.

The LC® Plus is a handheld nebulizer, designed to aerosolize medication approved for nebulization and prescribed by a physician. The LC® Plus is intended for adult and pediatric patients consistent with the indications for the aerosol medication. Improper use can result in serious or fatal illness or injury. Nebulizer is not sterile.

▲ WARNING

Use only when prescribed by a physician and with the prescribed medication. In order to achieve the specified droplet characteristics the compressor or central air supply must provide 3.5 - 8 lpm at a minimum of 20psi.

▲ WARNING

1. To reduce the risk of increased bacterial growth, infection, illness, or injury from contamination: thoroughly clean and dry all parts of the nebulizer and thoroughly dry any moisture or condensation in the tubing at the end of every treatment following the instructions below.
2. Cleaning the nebulizer after each treatment is not enough---you must regularly disinfect or sterilize the nebulizer between treatments to prevent serious or fatal illness caused by contamination of the nebulizer.
3. Never use a nebulizer with a clogged nozzle. If the nozzle is clogged, the aerosol mist will be reduced, altered or stopped, which will diminish or eliminate the effectiveness of the treatment. If clogging occurs, replace with the same model PARI Reusable Nebulizer.
4. Close supervision is necessary when this product is used by or near children and physically or mentally impaired. Never use when sleeping or drowsy.
5. This product contains small parts that may present a choking hazard to small children. The tubing also presents a strangulation hazard. ALWAYS USE CLOSE ADULT SUPERVISION WHEN ADMINISTERING A TREATMENT TO A CHILD. DO NOT LEAVE CHILD UNATTENDED DURING TREATMENT.
6. Patients under the age of 4 or any patients who have special needs should use a facemask instead of the valved mouthpiece.
7. Before use, check PARI Reusable Nebulizer for proper assembly. All parts should be seated firmly in place. Use of an improperly assembled nebulizer could diminish or prevent adequate delivery of medication and the effectiveness of the treatment.

INDICATIONS FOR USE: VIOS™ AEROSOL DELIVERY SYSTEM

The Vios™ is a tabletop, AC-powered air compressor intended to provide a source of compressed air for use with jet nebulizers. The Vios™ Compressor is intended for adult and pediatric patients for use in hospital, clinic, or home environments.

B. SAFETY PRECAUTIONS - VIOS™ AEROSOL DELIVERY SYSTEM

▲WARNING

Use only with nebulizers and tubing authorized by PARI for this device. Other nebulizers and tubing may result in improper treatment.

When using electrical and medical products, especially when children are present, basic safety precautions must be followed.

▲DANGER

To reduce the risk of serious or fatal injury from electrocution:

1. Do not place or store product where it can fall or be pulled into a bathtub, sink, water, or other liquid. Do not place in or drop into water or other liquid. Do not use while bathing.
2. Do not reach for a product that has fallen into water or other liquid. Unplug immediately.

▲WARNING

To reduce the risk of serious or fatal injury from electrocution, fire or burns and to reduce the risk of damage and malfunction to the product:

1. Before use, check the serial number label on the bottom of the PARI Vios™ Compressor to ensure that the voltage and current indicated on the compressor label correspond to the voltage and current available.
2. Never operate this product if it has a damaged cord or plug, if it is not working properly, if it has been dropped or damaged, or if it has been exposed to any liquids inside the case. Return the product to PARI for examination and repair.
3. Keep all electrical cords away from heated surfaces. Do not overload wall outlets or use extension cords.
4. This appliance has a polarized plug (one blade is wider than the other). As a safety feature, this plug will fit in a polarized outlet only one way. If the plug does not fit fully in the outlet, reverse the plug.
5. Never block the air vents of this compressor or place it on a soft surface, such as a bed or couch, where the air vents may be blocked. Keep the air vents free of lint, hair, and similar substances. Blocked vents could cause excessive heat buildup. This product should never be left unattended when plugged in.

▲WARNING

6. Do not operate outdoors.
7. Not suitable for use in the presence of flammable anesthetic mixture with air or oxygen or nitrous oxide.
8. Do not operate where oxygen is being administered in a closed environment such as an oxygen tent.
9. Never drop or insert any object into any openings.
10. Always unplug this product immediately after using.
11. Be sure the PARI Vios™ Compressor is unplugged prior to cleaning.
12. Do not open or disassemble the PARI Vios™ Compressor. Refer all servicing to PARI.

▲WARNING

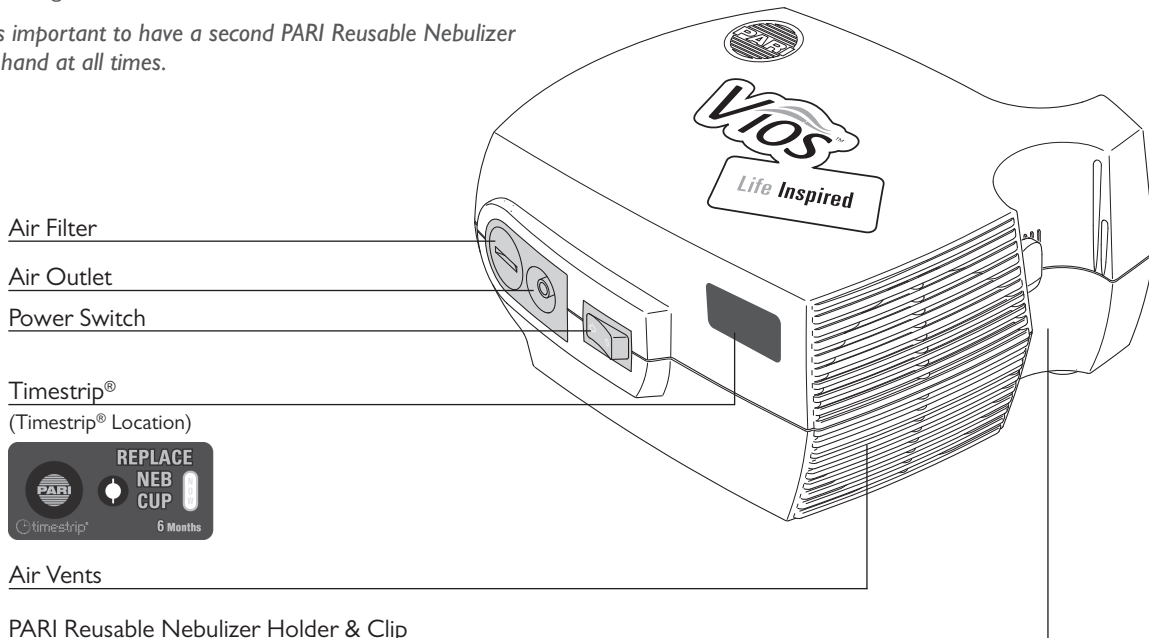
To reduce risk that the compressor will fail to operate properly as a result of decreased electromagnetic interference, resulting in improper treatment:

1. This device needs special precautions regarding electromagnetic compatibility ("EMC") and must be installed and put into service according to the EMC information provided in these Instructions For Use.
2. Portable and mobile radio frequency ("RF") communication devices can disrupt electrical medical equipment. Technical EMC information is available on pages 9-10.
3. Use only with accessories and cables authorized by PARI for this device. Use of this device with unauthorized accessories and cables may result in increased electromagnetic emissions or decreased electromagnetic immunity of the device.
4. This device should not be used adjacent to, or stacked with other equipment. If adjacent or stacked use is necessary, this device should be observed to verify normal operation.

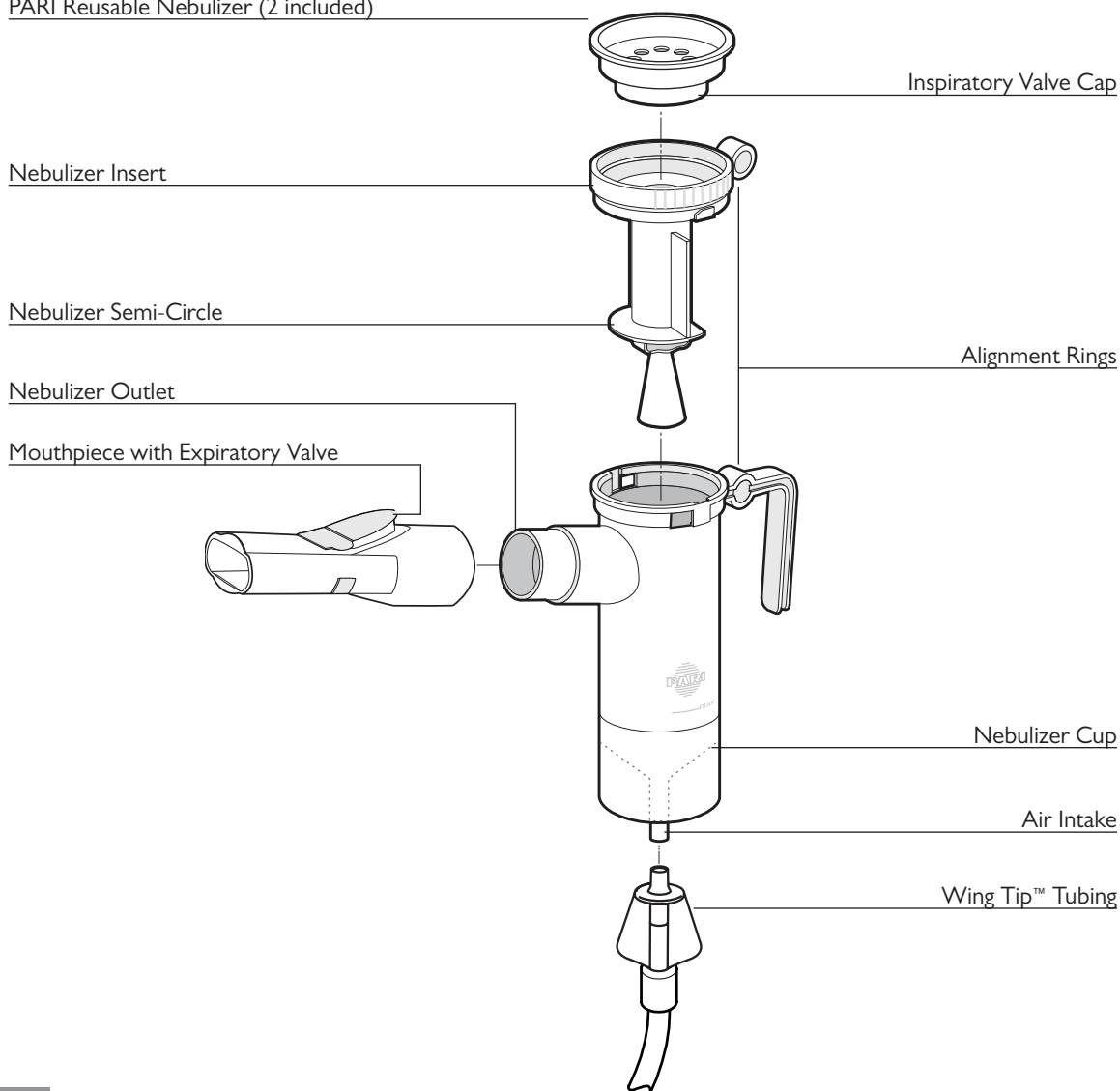
C. GETTING STARTED

Check your Vios™ package to ensure you have the following items.

It is important to have a second PARI Reusable Nebulizer on hand at all times.



PARI Reusable Nebulizer (2 included)



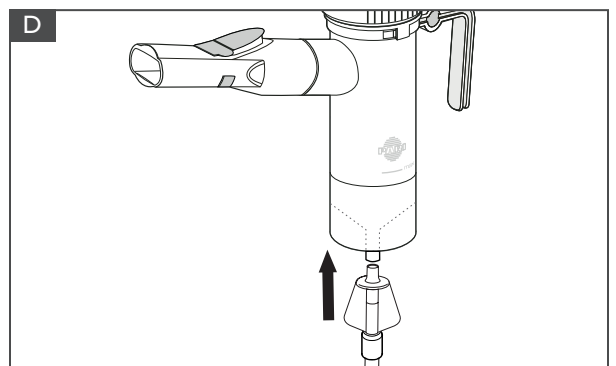
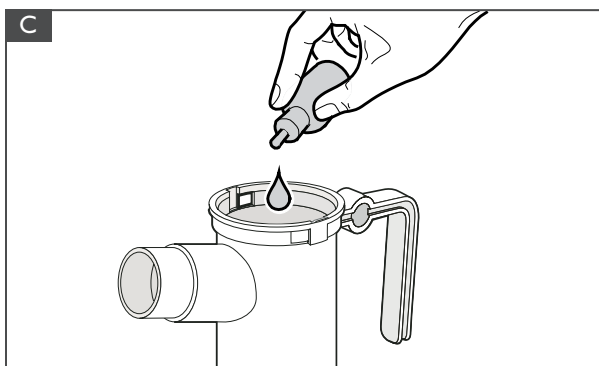
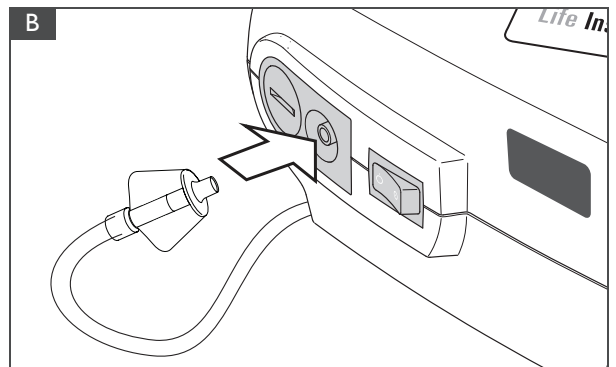
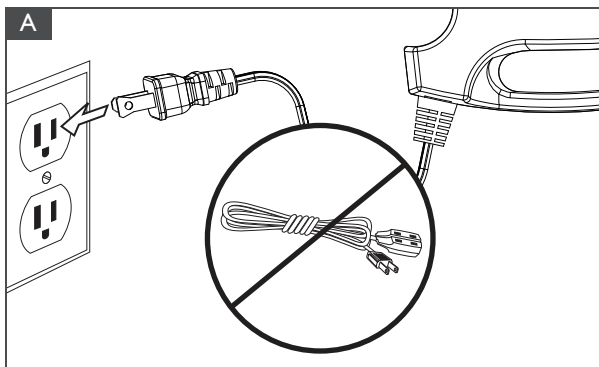
D. VIOS™ SET-UP

You are 10 Steps away from starting your treatment with Vios™. Please follow step by step.

1. **Clean/Disinfect Nebulizer Cup:** Refer to Sections F & G to properly clean and/or disinfect your nebulizer prior to first use. Re-assemble nebulizer.
2. **Set-up Compressor:** Place the compressor on a flat, stable surface free of dust. Avoid cushioned, upholstered or carpeted surfaces. Make sure power switch is turned to $\dot{\circ}$, the “OFF” position. Plug power cord into wall outlet (Fig A). Activate and attach the Timestrip® label to the front on the Vios™ Compressor as explained in Section E.
3. **Connect Tubing To Compressor:** Insert one end of Wing Tip™ tubing to the air outlet on the compressor. It should fit snugly (Fig. B).
4. **Load Medication:** Remove the nebulizer insert by twisting counter-clockwise until it stops and lift up. Pour medication into the nebulizer cup. Never fill past the max fill line of 8ml (Fig. C). Replace the nebulizer insert making sure the two alignment rings are lined up with each other.
5. **Attach Mouthpiece or Mask:** If using the mouthpiece, attach the mouthpiece to the nebulizer outlet with the expiratory valve facing up. Then attach the inspiratory valve cap by pressing it firmly into the top of the nebulizer. If using a mask, attach mask to the nebulizer outlet and refer to the mask instructions.
6. **Attach Tubing To Nebulizer Cup:** Firmly press the other end of the Wing Tip™ tubing to bottom of PARI reusable nebulizer (Fig. D).
7. **Starting Treatment:** Sit in a relaxed, upright position and turn the compressor “ON” (\odot).
8. **Nebulizer Position:** Place the mouthpiece on top of tongue and close lips around it. Take slow, deep breaths. As you inhale, the inhalation valve opens.
9. **Breathing:** For mouthpiece, inhale and exhale slowly through your mouth. As you exhale, the valve on the mouthpiece opens to allow the exhaled mist to escape. For mask, place mask over nose and mouth and inhale and exhale slowly.
10. **Complete Treatment:** Continue until the medication is gone or you hear a slight “sputtering” sound. Turn compressor off $\dot{\circ}$.

A NOTE ON TREATMENT TIME

Please note that many factors affect treatment time, such as a patient’s age, condition, breathing pattern, and medication. The Vios™ was designed for intermittent use to deliver respiratory medications, not continuous use for humidification or prolonged treatments (for example, over 35 minutes at one time). It is possible with prolonged treatments that the tubing may get warm and disconnect from the Vios™ air outlet. If your physician prescribed consecutive (back to back) treatments, resulting in the use of your Vios™ for longer than 35 minutes at a time, please contact PARI Patient Connection at 1.800.FAST.NEB (327.8632).



E. TIMESTRIP®

It is very important to replace your PARI reusable nebulizer every 6 months for the most effective treatments.

Timestrip® is a visual indicator that makes it easy for you to remember when to replace your nebulizer.

Activating Timestrip®: Firmly squeeze the PARI bubble between your finger and thumb. You may need to squeeze it more than once to ensure all the liquid has been emptied from the bubble.

Verify Activation: A red line will appear in the small circle of the Timestrip® within 1 to 2 minutes, indicating activation. If you do not see the red line after 3 minutes, press the bubble again.

Attach to compressor: Remove the adhesive tab on the back of the Timestrip® and attach the Timestrip® to the front of your compressor as indicated in Section C. **IMPORTANT – DO NOT ATTACH Timestrip® to your NEBULIZER CUP.**

Replace Nebulizer: When you see the word **NOW** appear in the window (Fig. E), you know it's time for a new PARI reusable nebulizer! Contact your home healthcare provider or pharmacy to order your new PARI reusable nebulizer.

⚠ WARNING

The Timestrip may present a choking hazard to small children – adult supervision is required.

Timestrip® does not monitor the condition of the PARI reusable nebulizer. Timestrip® only records the passage of time after it is activated. If activated at the time of first using the PARI reusable nebulizer then it will serve as a reminder that the PARI reusable nebulizer can be replaced.

The liquid inside the Timestrip® is not toxic. If tampered with, the Timestrip® may leak and will not function properly. If the liquid comes into contact with the skin wash with soap and water. If the liquid comes into contact with eyes rinse immediately with water for 15 minutes. If irritation develops, seek medical attention.

Timestrip® is a registered trademark of Timestrip Plc

F. CLEANING YOUR PARI REUSABLE NEBULIZER

1. Disconnect the tubing from the air intake on the bottom of the nebulizer cup.
2. If there is any moisture (condensation) in the tubing, let the compressor run with only the tubing attached for 2-3 minutes. The warm air from the compressor will dry out the tubing. Alternatively, you can dry the tubing by removing it from the compressor and hanging it up with the “ends down” to allow any moisture (condensation) to drain out and evaporate. Use a clean damp cloth to wipe the exterior of the tubing.
3. Disassemble reusable nebulizer parts as illustrated on page 3.
4. Wash all parts with warm water and liquid dish soap. **DO NOT WASH THE TUBING.**
5. Rinse the reusable nebulizer parts thoroughly with warm water and shake out water.
6. Air dry or hand dry nebulizer parts on a clean, lint-free cloth. Reassemble nebulizer when parts are dry and store.
7. You can also wash all parts of the reusable nebulizer on the top shelf of a dishwasher. **DO NOT WASH TUBING.** Place the reusable nebulizer parts in a dishwasher basket, then place the basket on the top rack of the dishwasher. Remove and dry the parts when the dishwasher cycle is complete.

⚠ WARNING

TO REDUCE RISK OF INFECTION:

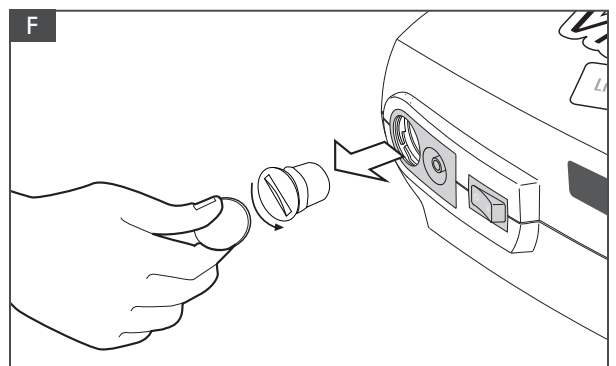
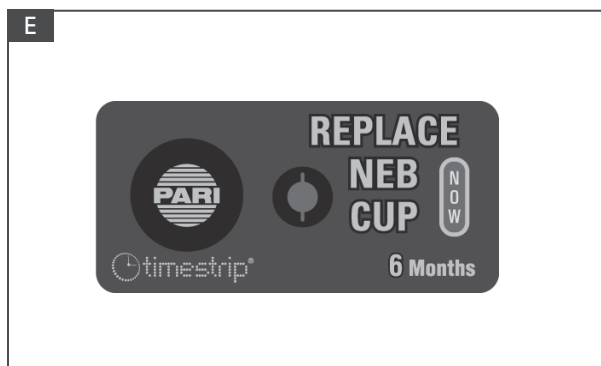
1. Nebulizer for single patient use (one person) only. Do not share your nebulizer with other patients.
2. You must regularly disinfect or sterilize the nebulizer between treatments. Failure to do so could lead to serious or fatal illness.

! REMEMBER REPLACE YOUR REUSABLE NEBULIZER CUP EVERY SIX MONTHS

Advantages of Replacing Your Nebulizer Cup:

- Consistent medication delivery to the lungs
- Fast and efficient treatments
- Bacterial contamination can be reduced*

* Lester, Mary K. Nebulizer Use and Maintenance by Cystic Fibrosis Patients: A Survey Study. *Respiratory Care* 2004; 49(12): 1504-1508.



G. DISINFECTING YOUR PARI REUSABLE NEBULIZER

1. Clean the nebulizer as described in Section F. For low-level disinfection every other treatment day, soak all parts of the PARI Reusable Nebulizer (except tubing and mask) in a solution of 1 part distilled white vinegar and 3 parts hot tap water for 1 hour. You can substitute respiratory equipment disinfectant (like Control III®) for distilled white vinegar (follow manufacturer's instructions for mixing).
2. Rinse all parts of the PARI Reusable Nebulizer thoroughly with warm tap water and dry with a clean, lint-free cloth. Discard the vinegar solution when disinfection is complete.
3. The PARI Reusable Nebulizer parts (except tubing and mask) may also be disinfected by boiling them in a clean pot of water for a full 10 minutes.
4. Hospitals and clinics can sterilize the PARI Reusable Nebulizer parts (except mask and tubing) by autoclaving (a maximum of 277° F or 136° C), follow autoclave manufacturer's instructions.
5. Dry parts on a clean, lint-free cloth.

CONTROL III® is a registered trademark of Maril Products, Inc.

H. MAINTENANCE OF YOUR VIOS™

FILTER

Your Vios™ air filter is bright white when new. With use, the filter will slowly turn grey, indicating the need for replacement. The filter must be replaced immediately if it gets wet or becomes clogged. A good rule to follow is to replace your filter every 6 months – at the same time as your PARI reusable nebulizer.

Removing: First make sure the Vios™ power switch is turned off. Using a coin, remove the air filter cover by turning it counter-clockwise (Fig.F). Pull the cap and filter out, then remove the filter from the cap (Fig.G-H). Take a new filter and press into cap with the open end visible. Place the cap and filter back into the front of your Vios™. Use the coin to tighten by turning the cover clockwise.

NOTE: DO NOT ATTEMPT TO WASH AND REUSE AIR FILTERS. DO NOT USE SUBSTITUTE FILTER MATERIAL COMPRESSOR DAMAGE MAY RESULT.

COMPRESSOR

Use a damp cloth to wipe the exterior of your Vios™ housing and Wing-Tip™ tubing.

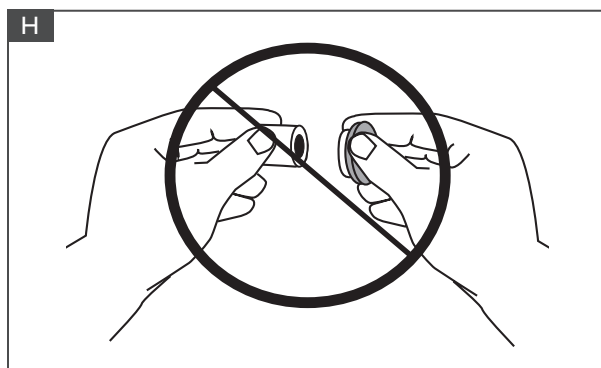
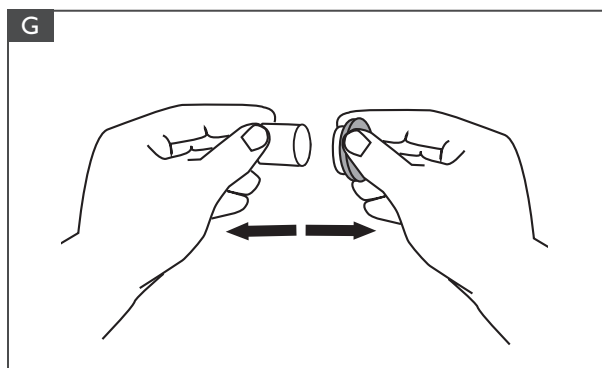
⚠ CAUTION

Never spray fluid into the ventilation slots on your Vios™. Fluid could cause damage to the electrical & compressor parts and could lead to malfunction. In the event fluid enters the unit, please contact PARI Patient Connection at 1.800.FAST.NEB (327.8632).

MAINTENANCE & REPAIR

Never operate your Vios™ if it is improperly or incompletely assembled or damaged. Use only original PARI parts and attachments authorized by PARI for the Vios™ Aerosol Delivery System. Use of other parts and attachments may damage the unit or cause improper treatment. Do not open or disassemble the compressor unit at any time.

NOTE: THERE ARE NO SERVICEABLE PARTS INSIDE THE VIOS™ AEROSOL DELIVERY SYSTEM. SERVICE BY ANYONE VOIDS WARRANTY.



I. SPECIFICATIONS

VIOS™ SPECIFICATIONS

Weight: 3 lbs.
Dimensions: 6.5 x 6.5 x 3.75 in.
Electrical Requirements: 120V AC, 60Hz, 1.5A
Power Wattage: 80 W, under normal load
Ambient Operating Conditions: 10°C to 40°C, (50°F to 104°F)
Power cord length: 5 ft.

TRANSPORT/STORAGE CONDITIONS:


Ambient temperature: -40°C to 70°C, (-40°F to 158°F)
Relative Humidity: 10% to 95%
Atmospheric Pressure: 500 hpa to 1060 hpa


AEROSOL PERFORMANCE


PARI Vios™ compressor with PARI LC® Plus nebulizer¹


	Albuterol Sulfate	Ipratropium Bromide	Cromolyn Sodium
MMAD (µm) ²	1.83	1.77	1.93
RM (% of fill) ³	21.00	19.00	13.13
Total Dose (µg) ⁴	738.6	138.6	3965.0


EXPLANATION OF SYMBOLS


Attention: Read all “Instructions for Use” before operation: 


Insulation enclosed Class II equipment: 

Type “B” Protection from electrical shock: 

Do not dispose of in unsorted municipal trash.
Please consult local laws and regulations for proper disposal: 

Power Switch: 

“On” Position (compressor running): 

“Off” Position (compressor is not running): 

NOTE: WHEN SWITCH IS IN THE “OFF” POSITION AND THE COMPRESSOR IS NOT RUNNING, THERE WILL STILL BE ELECTRICAL POTENTIAL INSIDE THE COMPRESSOR HOUSING. TO REMOVE POWER FROM THE COMPRESSOR, THE POWER PLUG MUST BE REMOVED FROM THE POWER SOURCE.

¹ Measured by 7-stage Cascade Impactor, with membrane filter for 8th stage, equipped with a USP <601> throat, at 28 LPM continuous inspiratory flow.

² Mass Median Aerodynamic Diameter

³ Respirable Mass delivered (0.5 – 5 µm) as a percentage of initial fill

⁴ Total Dose delivered by the nebulizer and captured by the impactor

J. WARRANTY & RETURN INFORMATION

PARI LC® PLUS REUSABLE NEBULIZER LIMITED WARRANTY

PARI reusable nebulizers include a 6 month limited warranty for home care use. If you have any problems and need to return your PARI reusable nebulizer, contact PARI Patient Connection at 1.800.FAST.NEB (327.8632).

Please be sure to clean and disinfect your PARI reusable nebulizer and place it in a plastic bag before returning.

VIOS™ AEROSOL DELIVERY SYSTEM LIMITED WARRANTY

PARI offers a standard five (5) year limited warranty on the Vios™ Aerosol Delivery System and its parts. The warranty period will be printed on the serial number label located on the bottom of the compressor. PARI warrants that the Vios™ Aerosol Delivery System and its parts will be free from defects in workmanship and materials for a period of sixty (60) months, from the date of first retail purchase of the equipment. This warranty does not cover failures of the nebulizer, tubing, or accessories. This warranty does not extend to failures resulting from accident, misuse, abuse, alteration, use of unauthorized service; parts or cleaning solutions, or failure to comply with Instructions For Use. If the warranted equipment should fail during the warranty period, PARI, at its option, will repair or replace the equipment or parts at issue, provided the claim is bona fide. It shall be the responsibility of the purchaser to pack and return the equipment in a manner to avoid shipping damage. The shipment must be prepaid to PARI Respiratory Equipment, Inc. This warranty covers the cost of labor incurred in the removal or replacement of the warranted component parts at authorized PARI service centers only. To make a claim under this warranty, notify the authorized service center by calling PARI Patient Connection at: 1.800.FAST.NEB (327.8632), Press 2

THERE ARE NO OTHER EXPRESS WARRANTIES. ALL IMPLIED WARRANTIES ON THE Vios™ Aerosol Delivery System AND ITS PARTS, INCLUDING IMPLIED WARRANTIES OF MERCHANTABILITY AND FITNESS FOR A PARTICULAR PURPOSE, ARE LIMITED TO SIXTY (60) MONTHS FROM THE DATE OF FIRST RETAIL PURCHASE.

ALL EXPRESS OR IMPLIED WARRANTIES ON ANY OTHER PARTS, INCLUDING THE IMPLIED WARRANTIES OF MERCHANTABILITY AND FITNESS FOR A PARTICULAR PURPOSE, ARE DISCLAIMED. Some states do not allow limitations on how long an implied warranty lasts, so the above limitation may not apply to you. The sole and exclusive remedy under this warranty is to repair or replace the Vios™ Aerosol Delivery System and/or its parts at the option of PARI. IN NO EVENT SHALL PARI BE LIABLE FOR INCIDENTAL OR CONSEQUENTIAL DAMAGES TO THE PURCHASER OR ANY THIRD PARTY, INCLUDING WITHOUT LIMITATION, DAMAGES ARISING FROM LOST PROFITS, LOSS OF BUSINESS OPPORTUNITY, LOSS OF PROPERTY, ECONOMIC LOSSES, OR STATUTORY OR EXEMPLARY DAMAGES, WHETHER IN NEGLIGENCE, WARRANTY, STRICT LIABILITY OR OTHERWISE. Some states do not allow the exclusion or limitation of incidental or consequential damages, so the above limitations or exclusions may not apply to you. This warranty gives you specific rights. You may also have other rights which vary from State to State.

VIOS™ AEROSOL DELIVERY SYSTEM 1 YEAR EXTENDED LIMITED WARRANTY

In exchange for registering your Vios™ Aerosol Delivery System within six (6) months of purchase, PARI will extend your standard limited warranty one (1) year, for a total warranty period of six (6) years from time of purchase. You can show proof of purchase in one of the following ways:

1) Providing a copy of receipt or proof of purchase, or 2) Identifying date of purchase and company purchased from.

Activate your extended warranty and register your Vios™ Aerosol Delivery System today with one of these three ways.



Online at pari.com/register



Call 1.800.FAST.NEB (327.8632)



Fill out the pre-addressed, postage paid registration card and drop it in any USPS Mailbox.

Failure to register your Vios™ does not affect your standard product limited warranty.

If you have any problems and need to return your Vios™ compressor, contact PARI Patient Connection at 1.800.FAST.NEB (327.8632).

Manufactured for:

PARI Respiratory Equipment, Inc.

2943 Oak Lake Blvd., Midlothian, VA 23112 USA

Tel: 800.FAST.NEB (327.8632) and 804.253.7274

Fax: 800.727.4112 | Product.Info@PARI.com

Online at: www.PARI.com

Specialists in effective inhalation



© 2010 PARI Respiratory Equipment, Inc.
310D0027 Rev A 6-10


K. SPECIFICATIONS: IEC TABLES

The Following Tables Are Provided In Accordance With IEC 60601-1-2:

Recommended separation distances between portable and mobile RF communications equipment and the Vios™			
The Vios™ is intended for use in an electromagnetic environment in which radiated RF disturbances are controlled. The customer or the user of the Vios™ can help prevent electromagnetic interference by maintaining a minimum distance between portable and mobile RF communications equipment (transmitters) and the Vios™ can help prevent electromagnetic interference by maintaining a minimum as recommended below, according to the maximum output power of the communications equipment.			
Rated maximum output power of transmitter W	Separation distance according to frequency of transmitter m		
	150 kHz to 80 MHz $d = \left[\frac{3,5}{V_1} \right] \sqrt{P}$	80 MHz to 800 MHz $d = \left[\frac{3,5}{E_1} \right] \sqrt{P}$	800 MHz to 2,5 GHz $d = \left[\frac{7}{E_1} \right] \sqrt{P}$
0,01	.12	.12	.23
0,1	.37	.37	.74
1	1.17	1.17	2.33
10	3.69	3.69	7.38
100	11.67	11.67	23.33
For transmitters rated at a maximum output power not listed above, the recommended separation distance <i>d</i> in metres (m) can be estimated using the equation applicable to the frequency of the transmitter, where <i>P</i> is the maximum output power rating of the transmitter in watts (W) according to the transmitter manufacturer.			
NOTE 1 At 80 MHz and 800 MHz, the separation distance for the higher frequency range applies.			
NOTE 2 These guidelines may not apply in all situations. Electromagnetic propagation is affected by absorption and reflection from structures, objects and people.			

Guidance and manufacturer's declaration –electromagnetic immunity			
The Vios™ is intended for use in the electromagnetic environment specified below. The customer or the user of the Vios™ should assure that it is used in such an environment.			
Immunity test	IEC 60601 test level	Compliance level	Electromagnetic environment – guidance
Electrostatic discharge (ESD) IEC 61000-4-2	±6 kV contact ±8 kV air	±6 kV contact ±8 kV air	Floors should be wood, concrete or ceramic tile. If floors are covered with synthetic material, the relative humidity should be at least 30 %.
Electrical fast transient/burst IEC 61000-4-4	±2 kV for power supply lines ±1 kV for input/output lines	±2 kV for power supply lines ±1 kV for input/output lines	Mains power quality should be that of a typical commercial or hospital environment.
Surge IEC 61000-4-5	±1 kV differential mode ±2 kV common mode	±1 kV differential mode ±2 kV common mode	Mains power quality should be that of a typical commercial or hospital environment.
Voltage dips, short interruptions and voltage variations on power supply input lines IEC 61000-4-11	<5 % U_T (>95 % dip in U_T) for 0,5 cycle 40 % U_T (60 % dip in U_T) for 5 cycles 70 % U_T (30 % dip in U_T) for 25 cycles <5 % U_T (>95 % dip in U_T) for 5 sec	<5 % U_T (>95 % dip in U_T) for 0,5 cycle 40 % U_T (60 % dip in U_T) for 5 cycles 70 % U_T (30 % dip in U_T) for 25 cycles <5 % U_T (>95 % dip in U_T) for 5 sec	Mains power quality should be that of a typical commercial or hospital environment. If the user of the Vios™ requires continued operation during power mains interruptions, it is recommended that the Vios™ be powered from an uninterruptible power supply or a battery.
Power frequency (50/60 Hz) magnetic field IEC 61000-4-8	3 A / m	3 A / m	Power frequency magnetic fields should be at levels characteristic of a typical location in a typical commercial or hospital environment.
NOTE U_T is the a.c. mains voltage prior to application of the test level.			

Guidance and manufacturer's declaration –electromagnetic emissions		
The Vios™ is intended for use in the electromagnetic environment specified below. The customer or the user of the Vios™ should assure that it is used in such an environment.		
Emissions test	Compliance	Electromagnetic environment – guidance
RF emissions CISPR 11	Group 1	The Vios™ uses RF energy only for its internal function. Therefore, its RF emissions are very low and are not likely to cause any interference in nearby electronic equipment.
RF emissions CISPR 11	Class B	The Vios™ is suitable for use in all establishments, including domestic establishments and those directly connected to the public low-voltage power supply network that supplies buildings used for domestic purposes.
Harmonic emissions IEC 61000-3-2	Not applicable	
Voltage fluctuations / flicker emissions IEC 61000-3-3	Not applicable	

Guidance and manufacturer's declaration –electromagnetic immunity			
The Vios™ is intended for use in the electromagnetic environment specified below. The customer or the user of the Vios™ should assure that it is used in such an environment.			
Immunity test	IEC 60601 test level	Compliance level	Electromagnetic environment – guidance
Conducted RF IEC 61000-4-6	3 Vrms 150 kHz to 80 MHz	3 Vrms 150 kHz to 80 MHz	<p>Portable and mobile RF communications equipment should be used no closer to any part of the Vios™, including cables, than the recommended separation distance calculated from the equation applicable to the frequency of the transmitter.</p> <p>Recommended separation distance</p> $d = \left[\frac{3,5}{V_1} \right] \sqrt{P}$ $d = \left[\frac{3,5}{E_1} \right] \sqrt{P} \quad 80 \text{ MHz to } 800 \text{ MHz}$ $d = \left[\frac{7}{E_1} \right] \sqrt{P} \quad 800 \text{ MHz to } 2,5 \text{ GHz}$ <p>where P is the maximum output power rating of the transmitter in watts (W) according to the transmitter manufacturer and d is the recommended separation distance in metres (m).</p> <p>Field strengths from fixed RF transmitters, as determined by an electromagnetic site survey,^a should be less than the compliance level in each frequency range.^b</p> <p>Interference may occur in the vicinity of equipment marked with the following symbol:</p> 
Radiated RF IEC 61000-4-3	3 V/m 80 MHz to 2,5 GHz	3 V/m 80 MHz to 2,5 GHz	

NOTE 1 At 80 MHz and 800 MHz, the higher frequency range applies.

NOTE 2 These guidelines may not apply in all situations. Electromagnetic propagation is affected by absorption and reflection from structures, objects and people.

^a Field strengths from fixed transmitters, such as base stations for radio (cellular/cordless) telephones and land mobile radios, amateur radio, AM and FM radio broadcast and TV broadcast cannot be predicted theoretically with accuracy. To assess the electromagnetic environment due to fixed RF transmitters, an electromagnetic site survey should be considered. If the measured field strength in the location in which the Vios™ is used exceeds the applicable RF compliance level above, the Vios™ should be observed to verify normal operation. If abnormal performance is observed, additional measures may be necessary, such as re-orienting or relocating the Vios™.

^b Over the frequency range 150 kHz to 80 MHz, field strengths should be less than $[V_1]$ V/m.

MODE D'EMPLOI

Usage pour patient unique (une personne)



CES INSTRUCTIONS S'APPLIQUENT AUX NÉBULISEUR PARI LC^{MD} PLUS.

IMPORTANT : LIRE LES INSTRUCTIONS ET LES MESURES DE SÉCURITÉ SOIGNEUSEMENT



AEROSOL DELIVERY SYSTEM

LIRE LES AVERTISSEMENTS ET LE MODE D'EMPLOI SOIGNEUSEMENT. LE PRODUIT DOIT ÊTRE EMPLOYÉ EXCLUSIVEMENT AUX FINS AUXQUELLES IL SE DESTINE, TELLES QUE DÉCRITES DANS LE PRÉSENT MODE D'EMPLOI. UNE MAUVAISE UTILISATION PEUT CAUSER DES BLESSURES OU MALADIES GRAVES OU MORTELLES, NUIRE À L'EFFICACITÉ DU TRAITEMENT OU OCCASIONNER DES DOMMAGES MATÉRIELS.

! RAPPEL
■ REMPLACER LE BOCAL DU NÉBULISEUR RÉUTILISABLE TOUS LES SIX MOIS



AEROSOL DELIVERY SYSTEM

Bienvenue à l'expérience Vios! Le dispositif d'administration par aérosol Vios^{MC} s'inscrit dans la longue lignée de produits PARI éprouvés en clinique et comporte deux composants importants : un compresseur Vios^{MC} et un nébuliseur PARI. Vios^{MC} s'inspire du mot « vie » en latin et en grec car notre objectif consiste à améliorer votre qualité de vie par l'administration efficace d'aérosol.

Votre médecin vous a prescrit Vios^{MC} pour traiter vos symptômes respiratoires à cause de la réputation des produits PARI qui offrent des particules de taille uniforme et une administration rapide et ciblée des médicaments dans les poumons. Les produits PARI ont été sélectionnés dans plus de 25 essais cliniques de nouveaux médicaments en aérosol pour les voies respiratoires. Rédigées en pensant d'abord aux patients, ces instructions vous aideront à vivre la meilleure expérience d'aérosolthérapie possible.

Nous espérons que l'expérience Vios^{MC} vous « inspirera la vie ».

CONSERVEZ CES
INSTRUCTIONS POUR TOUTE
CONSULTATION FUTURE

INDICATIONS D'EMPLOI: LC^{MD} PLUS

Le nébuliseur réutilisable PARI LC^{MD} Plus servent à administrer un médicament aérosolisé dans les poumons. Ce nébuliseur s'utilisent pour des patients dont le médecin a prescrit un médicament pour des traitements par aérosol à la maison, au cabinet du médecin, à l'hôpital ou en clinique.

A. MESURES DE SÉCURITÉ – PARI LC^{MD} PLUS

▲ MISE EN GARDE

Selon la loi fédérale américaine, cet appareil ne peut être vendu que par un médecin ou sur son ordonnance. Ne l'utiliser que lorsqu'il est prescrit par un médecin et qu'avec les médicaments prescrits.

Le modèle LC^{MD} Plus sont de nébuliseur à main, conçus afin d'aérosoliser les médicaments approuvés pour l'aérosolisation et prescrits par un médecin. Le modèle LC^{MD} Plus se destinent aux patients adultes et pédiatriques dont le traitement indiqué est un médicament en aérosol. L'utilisation inadéquate peut causer des blessures ou maladies graves ou mortelles. Le nébuliseur n'est pas stérile.

▲ AVERTISSEMENT

Ne l'utiliser que lorsqu'il est prescrit par un médecin et qu'avec les médicaments prescrits. Afin d'obtenir les caractéristiques de gouttelettes spécifiées, le compresseur ou l'alimentation en air centrale doit fournir 3,5 à 8 lpm à une pression minimale de 20 psi.

▲ AVERTISSEMENT

1. Pour réduire le risque de prolifération bactérienne, d'infection, de lésion ou d'affection par contamination : nettoyer et sécher soigneusement les différentes parties du nébuliseur et prendre soin d'essuyer toute trace d'humidité ou de condensation dans le tube après chaque traitement, conformément aux instructions ci-dessous.
2. Il ne suffit pas de nettoyer le nébuliseur après chaque utilisation; il faut désinfecter ou stériliser régulièrement le nébuliseur entre les traitements pour prévenir les affections graves ou mortelles qui peuvent être causées par la contamination du nébuliseur.
3. Ne jamais utiliser le nébuliseur si la buse est bouchée. En effet, la nébulisation par aérosol sera réduite, altérée ou obstruée ce qui réduira l'efficacité du traitement ou le rendra totalement inefficace. Dans ce cas, remplacer l'appareil par le même modèle de nébuliseur réutilisable PARI.
4. Une surveillance particulière est nécessaire lorsque ce produit est utilisé par ou à proximité d'enfants ou de personnes présentant une déficience physique ou intellectuelle. Le patient ne doit pas être endormi ou assoupi.
5. Ce produit contient des pièces de petite taille qui peuvent présenter un risque de suffocation pour les jeunes enfants. Le tube présente également un risque d'étranglement. LE TRAITEMENT D'UN ENFANT DOIT TOUJOURS AVOIR LIEU SOUS LA SURVEILLANCE D'UN ADULTE. NE PAS LAISSER UN ENFANT SANS SURVEILLANCE PENDANT L'ADMINISTRATION DU TRAITEMENT.
6. Les patients âgés de moins de 4 ans ou ayant des besoins spéciaux doivent utiliser un masque au lieu de l'embouchure.
7. Avant son utilisation, vérifier que le nébuliseur réutilisable PARI est correctement assemblé. Les différentes pièces doivent être bien mises en place. Un mauvais assemblage du nébuliseur peut gêner ou empêcher complètement la nébulisation du médicament et réduire l'efficacité du traitement.

INDICATIONS D'EMPLOI: VIOS^{MC} AEROSOL DELIVERY SYSTEM

Vios^{MC} est un compresseur d'air de table à alimentation CA qui permet de fournir une source d'air comprimé aux nébuliseurs à jet. Le compresseur Vios^{MC} se destine aux patients adultes et pédiatriques et peut être utilisé à l'hôpital, en clinique ou à la maison.

B. MESURES DE SÉCURITÉ – VIOS^{MC} AEROSOL DELIVERY SYSTEM

▲ AVERTISSEMENT

N'utiliser cet appareil qu'avec les nébuliseurs et les tubes autorisés par PARI. D'autres nébuliseurs et tubes risquent de compromettre le traitement. Respecter les mesures de sécurité de base lors de l'utilisation de produits électriques et médicaux, particulièrement en présence d'enfants.

Respecter les mesures de sécurité de base lors de l'utilisation de produits électriques et médicaux, particulièrement en présence d'enfants.

▲ DANGER

Pour réduire les risques de blessure grave ou mortelle des suites d'une électrocution :

1. Éviter de placer ou d'entreposer le produit à un endroit où il pourrait tomber ou être tiré dans un baignoire, un évier, de l'eau ou tout autre liquide. Ne pas placer le produit ou l'échapper dans l'eau ou tout autre liquide. Ne pas l'utiliser pendant un bain.
2. Ne pas tenter de saisir un produit tombé dans l'eau ou tout autre liquide. Il faut le débrancher immédiatement.

▲ AVERTISSEMENT

Pour réduire les risques de blessure grave ou mortelle des suites d'une électrocution, d'un incendie et de brûlures, ainsi que les risques d'endommagement ou de dysfonctionnement du produit :

1. Avant l'utilisation, vérifier l'étiquette du numéro de série au bas du compresseur PARI Vios^{MC} pour s'assurer que la tension et le courant indiqués sur l'étiquette du compresseur correspondent à la tension et au courant disponibles.
2. Ne jamais utiliser cet appareil si la prise d'alimentation ou le cordon est endommagé, s'il ne fonctionne pas adéquatement, s'il a été échappé ou endommagé ou si du liquide s'est infiltré dans le boîtier. Retourner le produit à PARI pour qu'il soit évalué et réparé.
3. Éloigner tous les cordons électriques des surfaces chauffées. Éviter de surcharger les prises murales ou d'employer des rallonges électriques.
4. Cet appareil dispose d'une fiche polarisée (une lame est plus large que l'autre). Comme mesure de sécurité, cette fiche ne s'insère dans une prise murale polarisée que d'une seule façon. Si la fiche ne s'insère pas complètement dans la prise, inverser la fiche.

▲ AVERTISSEMENT

5. Éviter de bloquer les ouvertures d'aération du compresseur ou de placer ce dernier sur une surface molle, telle qu'un lit ou un sofa, où les ouvertures d'aération risquent d'être obstruées. Maintenir les ouvertures d'aération libres de poussière, de cheveux et de toute autre substance similaire. Des ouvertures bloquées risquent d'occasionner une accumulation de chaleur excessive. Lorsqu'il est branché, ce produit ne doit jamais être laissé sans surveillance.
6. Ne pas utiliser le produit à l'extérieur.
7. Ne pas utiliser le produit en présence d'un mélange anesthésique inflammable avec de l'air, de l'oxygène ou de l'oxyde nitreux.
8. Ne pas utiliser le produit dans un environnement fermé où de l'oxygène est administré, tel qu'une tente à oxygène.
9. Ne jamais échapper ou insérer des objets dans les ouvertures.
10. Toujours débrancher ce produit après l'avoir utilisé.
 1. S'assurer que le compresseur PARI Vios^{MC} est débranché avant de procéder au nettoyage.
 2. Ne pas ouvrir ni démonter le compresseur PARI Vios^{MC}. Confier l'entretien du produit à PARI.

▲ AVERTISSEMENT

Pour réduire les risques de mauvais fonctionnement du compresseur en raison de la diminution de son immunité à l'interférence électromagnétique et éviter de compromettre le traitement :

1. Cet appareil doit faire l'objet de précautions spéciales concernant la compatibilité électromagnétique (« CEM »). Il doit être installé et mis en service conformément aux informations sur la CEM fournies avec le présent mode d'emploi.
2. Les dispositifs de communication à radiofréquence (« RF ») portatifs et mobiles peuvent perturber l'équipement médical électrique. Les informations techniques sur la CEM sont disponibles aux pages 9-10.
3. N'utiliser cet appareil qu'avec les accessoires et les câbles autorisés par PARI. L'utilisation de cet appareil avec des accessoires et des câbles non autorisés risque d'augmenter les émissions électromagnétiques ou de réduire l'immunité électromagnétique de l'appareil.
4. Cet appareil ne doit pas être placé près d'un autre appareil ou empilé sur celui-ci. S'il faut néanmoins procéder à une telle utilisation adjacente ou empilée, surveiller l'appareil pour assurer son fonctionnement normal.

C. DÉMARRAGE

Vérifiez l'emballage de votre Vios^{MC} pour vous assurer que tous les éléments s'y trouvent.

Il est important de posséder en tout temps un second nébuliseur réutilisable PARI.

Filtre à air

Sortie d'air

Interrupteur

Timestrip^{MD}

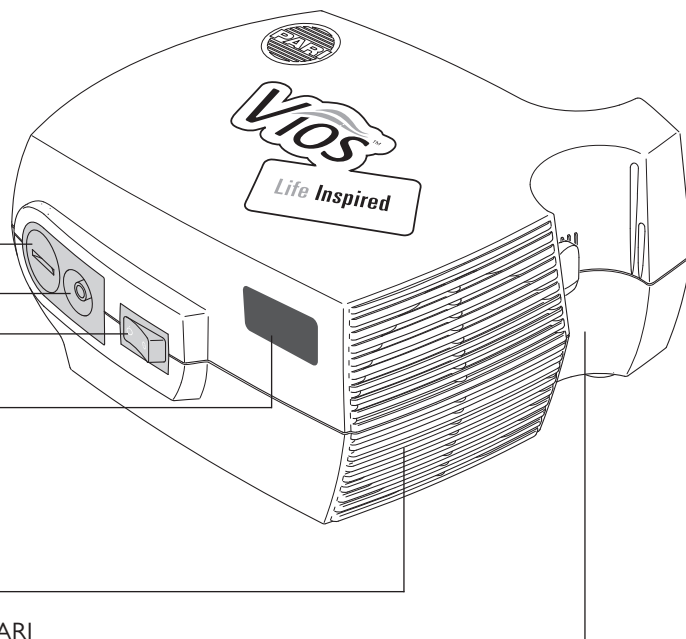
(emplacement suggéré de l'autocollant Timestrip^{MD})



Ouvertures d'aération

Support et agrafe du nébuliseur réutilisable PARI

Nébuliseur réutilisable PARI (2 compris)



Valve inspiratoire

Insert du nébuliseur

Demi-cercle du nébuliseur

Sortie du nébuliseur

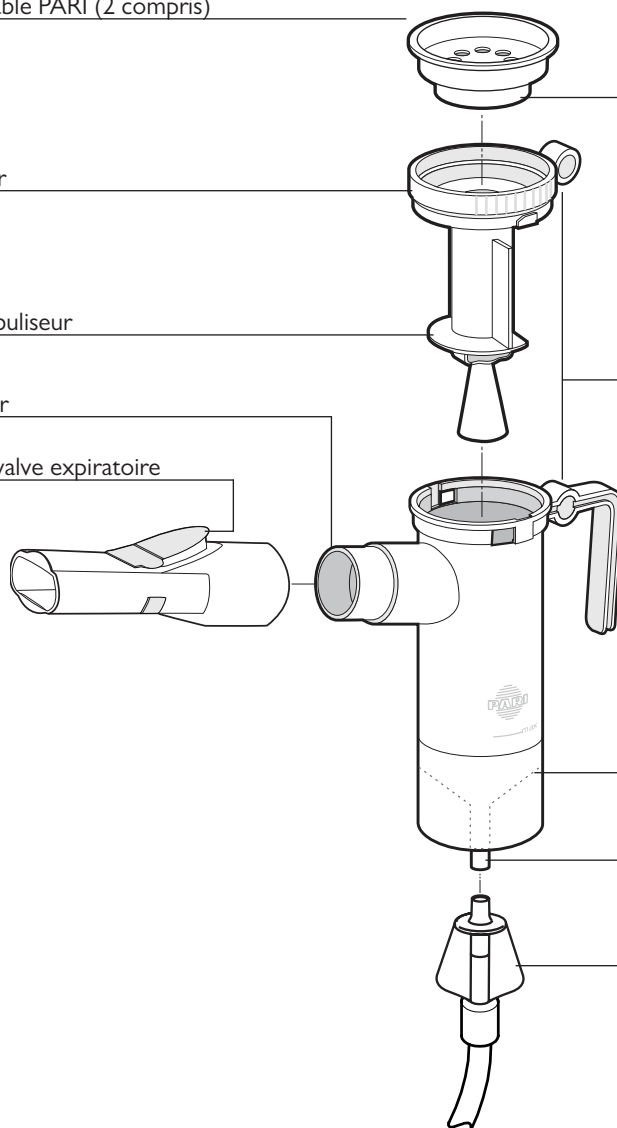
Embouchure avec valve expiratoire

Anneaux d'alignement

Bocal du nébuliseur

Entrée d'air

Tube avec raccords à ailette Wing-Tip^{MC}



D. ASSEMBLAGE DU VIOS^{MC}

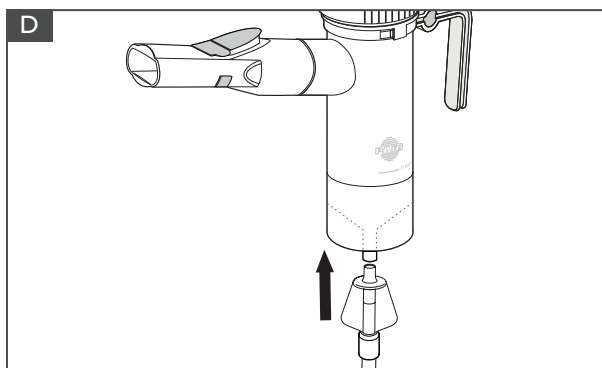
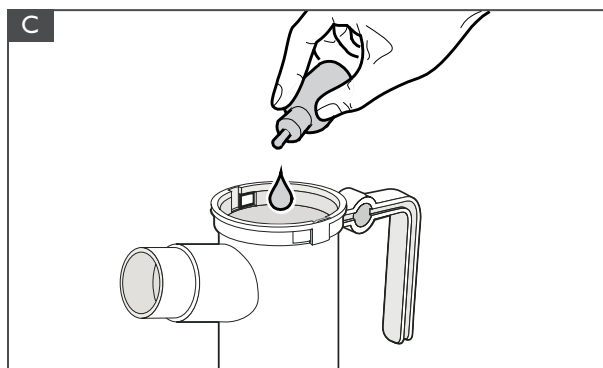
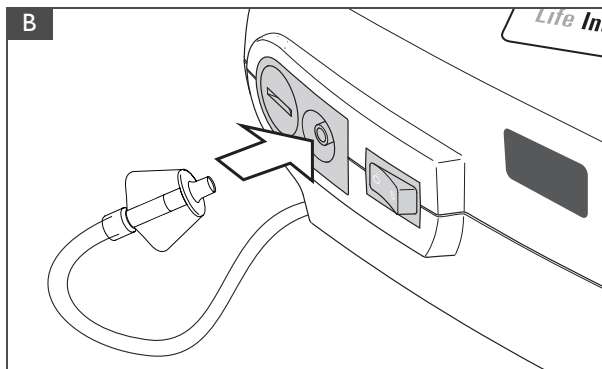
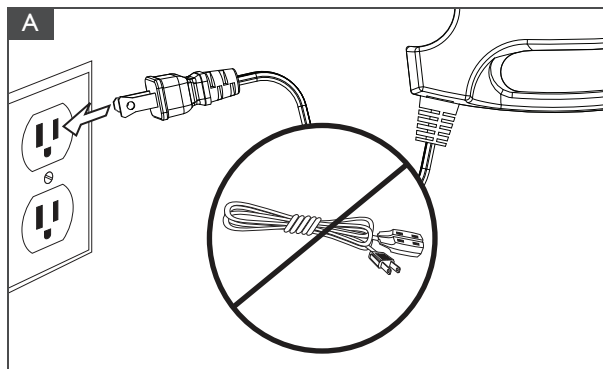
Dix étapes simples vous séparent de votre premier traitement avec le Vios^{MC}. Respectez la marche à suivre ci-dessous.

1. **Nettoyez/désinfectez le bocal du nébuliseur** : Pour bien nettoyer et/ou désinfecter votre nébuliseur avant son utilisation initiale, reportez-vous à section F & G. Réassemblez le nébuliseur.
2. **Assemblez le compresseur** : Placez le compresseur sur une surface plane, stable et sans poussière. Évitez les surfaces matelassées, capitonnées ou recouvertes de tapis. Vérifiez que l'interrupteur est en position \odot , ou « Arrêt ». Branchez le cordon d'alimentation dans la prise murale (Fig. A). Activez et fixez l'autocollant Timestrip^{MD} à l'avant du compresseur Vios comme expliqué dans la section E.
3. **Connectez le tube au compresseur** : Insérez une extrémité du tube Wing-Tip à la sortie d'air du compresseur. Elle doit être fixée solidement (Fig. B).
4. **Versez le médicament** : Retirez l'insert du nébuliseur en le tournant dans le sens contraire des aiguilles d'une montre jusqu'à ce qu'il s'arrête et se soulève. Versez le médicament dans le bocal du nébuliseur. Ne dépassez jamais la ligne de remplissage maximal de 8 ml du LC^{MD} PLUS (Fig. C). Remettez en place l'insert du nébuliseur en vérifiant que les deux anneaux d'alignement sont alignés l'un sur l'autre.
5. **Fixez l'embouchure ou le masque** : Si vous utilisez l'embouchure, fixez-la à l'orifice de sortie du nébuliseur avec la valve expiratoire orientée vers le haut. Ensuite, refermez la valve inspiratoire en appuyant fermement sur la partie supérieure du nébuliseur. Si vous utilisez un masque, fixez-le à l'orifice de sortie du nébuliseur et se reporter à vos instructions de masque.

6. **Fixez le tube au bocal du nébuliseur** : Appuyez fermement sur l'autre extrémité du tube Wing-Tip^{MC} au bas du nébuliseur réutilisable PARI (Fig. D).
7. **Commencez le traitement** : Assoyez-vous en position droite et détendue, puis « allumez le » le compresseur \odot .
8. **Position du nébuliseur** : Placez l'embouchure sur la langue et fermez la bouche. Respirez lentement et profondément. Lorsque vous inspirez, la valve d'inhalation s'ouvre.
9. **Respiration** : Avec l'embouchure, inspirez et expirez doucement par la bouche. Lorsque vous expirez, la valve de l'embouchure s'ouvre pour permettre à la bruite de s'échapper. Avec un masque, placez celui-ci sur le nez et la bouche, puis inspirez et expirez doucement.
10. **Terminez le traitement** : Continuez jusqu'à ce qu'il n'y ait plus de médicament ou qu'un léger crépitement se fasse entendre. Éteignez le compresseur \odot .

REMARQUE SUR LA DURÉE DU TRAITEMENT

Plusieurs facteurs ont une incidence sur la durée du traitement, y compris l'âge, l'état de santé, le mode de respiration et les médicaments du patient. Le Vios^{MC} a été conçu pour une administration intermittente de médicaments respiratoires et non pour une utilisation continue pour l'humidification ou des traitements prolongés (par exemple, plus de 35 minutes à la fois). Lors de traitements prolongés, il se peut que le tube devienne chaud et se déconnecte de l'entrée d'air du Vios^{MC}. Si votre médecin vous a prescrit des traitements consécutifs (l'un après l'autre) de sorte que vous devez utiliser votre Vios^{MC} pendant plus de 35 minutes à la fois, veuillez communiquer avec la ligne Patients de PARI au 1.800.FAST.NEB (327.8632).



E. TIMESTRIP^{MD}

Pour assurer l'efficacité de vos traitements, il est très important de remplacer votre nébuliseur réutilisable PARI à tous les six mois. L'autocollant Timestrip^{MD} est un indicateur visuel qui vous rappelle quand remplacer votre nébuliseur.

Activer l'autocollant Timestrip^{MD} : Pressez fermement la bulle PARI entre votre doigt et votre pouce. Il se peut que vous ayez à la presser plusieurs fois pour vous assurer de vider tout le liquide de la bulle.

Vérifier l'activation : Une ligne rouge apparaîtra dans le petit cercle de l'autocollant Timestrip^{MD} dans les 2 minutes suivantes pour indiquer l'activation. Si la ligne rouge n'apparaît pas après 3 minutes, pressez de nouveau la bulle.

Appliquer au compresseur : Retirez la bande adhésive au verso de l'autocollant Timestrip^{MD} et appliquez-le sur le devant de votre compresseur. **IMPORTANT – N'APPLIQUEZ PAS L'AUTOCOLLANT Timestrip^{MD} sur LE BOCAL DE VOTRE NÉBULISEUR.**

Remplacer le nébuliseur : Lorsque le mot NOW s'affiche dans la fenêtre (Fig. E), il faut remplacer le nébuliseur réutilisable PARI. Communiquez avec votre fournisseur de soins à domicile ou votre pharmacie pour commander un nouveau nébuliseur réutilisable PARI.

⚠ AVERTISSEMENT

L'autocollant Timestrip peut présenter un risque de suffocation pour les jeunes enfants – la surveillance d'un adulte est requise.

L'autocollant Timestrip^{MD} ne surveille pas l'état du nébuliseur réutilisable PARI. L'autocollant Timestrip^{MD} ne fait qu'enregistrer le passage du temps après son activation. Lorsqu'il est activé au moment de l'utilisation initiale du nébuliseur réutilisable PARI, il vous rappellera que le nébuliseur réutilisable PARI doit être remplacé.

Le liquide contenu dans l'autocollant Timestrip^{MD} n'est pas toxique. S'il est altéré, l'autocollant Timestrip^{MD} peut fuir et ne pas fonctionner correctement. Si le liquide entre en contact avec la peau, lavez-la à l'eau et au savon. Si le liquide entre en contact avec les yeux, rincez-les immédiatement à grande eau pendant 15 minutes. Si une irritation se produit, consultez un médecin.

Timestrip^{MD} est une marque déposée de Timestrip Plc

F. NETTOYAGE DU NÉBULISEUR RÉUTILISABLE PARI

1. Déconnectez le tube de l'entrée d'air au bas du bocal du nébuliseur.
2. S'il y a de l'humidité (condensation) dans le tube, laissez tourner le compresseur pendant 2 à 3 minutes en ne laissant que le tube raccordé. L'air chaud du compresseur séchera le tube. Ou encore, vous pouvez faire sécher le tube en le retirant du compresseur et en le suspendant avec les extrémités vers le bas pour laisser toute humidité (condensation) s'échapper et s'évaporer. Utilisez un chiffon humide propre pour essuyer l'extérieur du tube.
3. Démontez les pièces du nébuliseur réutilisable tel qu'illustré à la page 3.
4. Nettoyez toutes les pièces avec de l'eau tiède et du savon liquide à vaisselle. **NE PAS LAVER LE TUBE.**
5. Rincez soigneusement les pièces du nébuliseur réutilisable à l'eau tiède et secouez l'excédent d'eau.
6. Séchez les pièces du nébuliseur à l'air ou à la main sur un chiffon propre non pelucheux. Réassemblez le nébuliseur lorsque toutes les pièces sont sèches et entreposez-le.
7. Vous pouvez également nettoyer toutes les pièces du nébuliseur réutilisable sur le plateau supérieur d'un lave-vaisselle. **NE PAS LAVER LE TUBE.** Mettez les pièces du nébuliseur réutilisable dans le panier du lave-vaisselle, puis placez le panier sur le plateau supérieur du lave-vaisselle. Retirez les pièces et séchez-les lorsque le lave-vaisselle termine son cycle de lavage.

⚠ AVERTISSEMENT

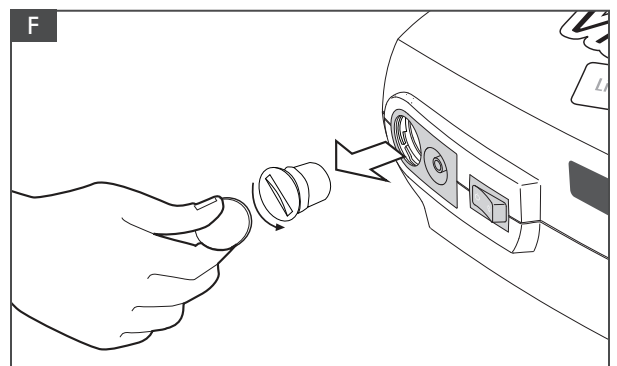
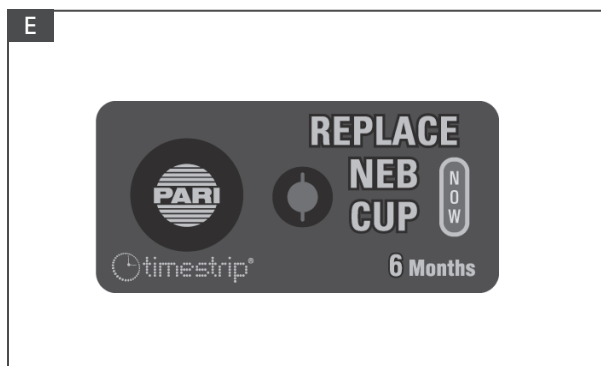
POUR RÉDUIRE LE RISQUE D'INFECTION :

1. Nébuliseur destiné à un usage pour un patient unique (une seule personne). Ne pas partager le nébuliseur avec d'autres patients.
2. Vous devez désinfecter ou stériliser régulièrement le nébuliseur entre les traitements. Le défaut de ce faire risquerait d'occasionner une maladie grave, voire mortelle.

! RAPPEL REMPLACER LE BOCAL DU NÉBULISEUR RÉUTILISABLE TOUS LES SIX MOIS

Avantages de remplacer le bocal de votre nébuliseur : • Administration uniforme des médicaments dans les poumons
• Traitements rapides et efficaces
• Réduction du risque de contamination bactérienne*

* Lester, Mary K. Nebulizer Use and Maintenance by Cystic Fibrosis Patients: A Survey Study. Respiratory Care 2004; 49(12): 1504-1508.



G. DÉSINFECTION DE VOTRE NÉBULISEUR RÉUTILISABLE PARI

1. Nettoyez le nébuliseur tel qu'indiqué à la Section F. Pour une légère désinfection aux deux jours de traitement, trempez toutes les pièces du nébuliseur réutilisable PARI (sauf le tube et le masque) dans une solution d'une mesure de vinaigre blanc distillé pour trois mesures d'eau de robinet chaude pendant une heure. Vous pouvez substituer un désinfectant pour équipement respiratoire (comme le Control III^{MD}) au vinaigre blanc distillé (en suivant les instructions de mélange du fabricant).
2. Rincez soigneusement toutes les pièces du nébuliseur réutilisable PARI à l'eau de robinet tiède et séchez-les à l'aide d'un chiffon propre non pelucheux. Jetez la solution de vinaigre lorsque la désinfection est terminée.
3. Vous pouvez également désinfecter les pièces du nébuliseur réutilisable PARI (sauf le tube et le masque) en les faisant bouillir dans un chaudron propre pendant dix minutes.
4. Les hôpitaux et les cliniques peuvent stériliser les pièces du nébuliseur réutilisable PARI (sauf le masque et le tube) en autoclave (un maximum de 136 °C ou 277 °F) en suivant les instructions du fabricant de l'autoclave.
5. Séchez les pièces avec un chiffon propre non pelucheux.

CONTROL III^{MD} EST UNE MARQUE DÉPOSÉE DE MARIL PRODUCTS, INC.

H. ENTRETIEN DE VIOS^{MC}

FILTRE

Lorsqu'il est neuf, le filtre à air du Vios^{MC} est d'un blanc éclatant. Avec l'usage, le filtre deviendra gris auquel moment, il faudra le remplacer. Le filtre doit être remplacé immédiatement s'il devient humide ou obstrué. Nous vous conseillons de remplacer le filtre à tous les six mois, en même temps que votre nébuliseur réutilisable PARI.

Retrait : Assurez-vous d'abord que le Vios^{MC} est éteint. À l'aide d'une pièce de monnaie, retirez le couvercle du filtre à air en le tournant dans le sens contraire des aiguilles d'une montre (Fig. F). Enlevez le bouchon et le filtre, puis retirez le filtre du bouchon (Fig. G-H). Insérez un nouveau filtre dans le bouchon, extrémité ouverte vers l'extérieur. Remettez le bouchon et le filtre en place sur le devant de votre Vios^{MC}. Utilisez la pièce de monnaie pour visser le couvercle dans le sens des aiguilles d'une montre

REMARQUE : NE PAS LAVER NI RÉUTILISER LES FILTRES À AIR. NE PAS UTILISER DU MATÉRIEL DE FILTRE D'UN AUTRE FOURNISSEUR; CELA RISQUERAIT D'ENDOMMAGER LE COMPRESSEUR.

COMPRESSEUR

Utilisez un chiffon humide pour essuyer l'extérieur du boîtier de votre Vios^{MC} et le tube avec raccords à ailette Wing-Tip^{MC}.

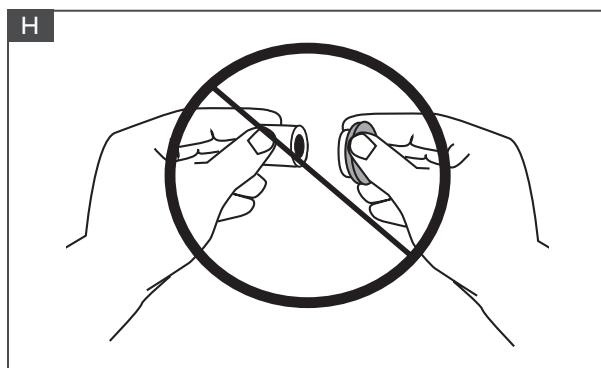
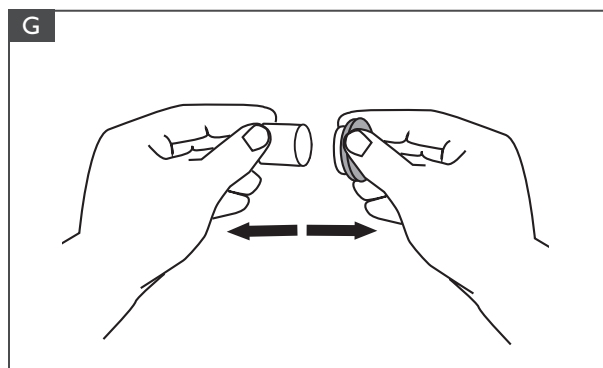
▲ MISE EN GARDE

Ne jamais vaporiser de liquide dans les fentes de ventilation du Vios^{MC}. Les liquides peuvent endommager les pièces électriques et mécaniques du compresseur et entraîner le dysfonctionnement de l'appareil. Si du liquide pénètre dans l'appareil, communiquer avec la ligne Patients de PARI au 1.800. FAST.NEB (327.8632).

ENTRETIEN ET RÉPARATION

N'utilisez jamais votre Vios^{MC} s'il est mal ou incomplètement assemblé, ou endommagé. N'utilisez que des pièces et des accessoires PARI d'origine autorisés par PARI pour le dispositif d'administration par aérosol Vios^{MC}. L'utilisation d'autres pièces et accessoires risque d'endommager l'appareil ou d'occasionner un traitement inapproprié. N'ouvrez et ne démontez jamais le compresseur.

REMARQUE : LE DISPOSITIF D'ADMINISTRATION PAR AÉROSOL VIOS^{MC} NE CONTIENT AUCUNE PIÈCE RÉPARABLE PAR L'UTILISATEUR. TOUTE TENTATIVE DE RÉPARATION ANNULERA LA GARANTIE.



I. SPÉCIFICATIONS


SPÉCIFICATIONS DU VIOS^{MC}

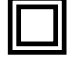
Poids : 1300 g (3 lb)
Dimensions : 16,5 x 16,5 x 9,5 cm (6,5 x 6,5 x 3,75 po)
Alimentation : 120 V CA, 60 Hz, 1,5 A
Puissance : 80 W, avec une charge normale
Conditions de fonctionnement ambiantes : 10°C à 40°C, (50°F à 104°F)
Longueur du cordon d'alimentation : 1,5 m (5 pi)


CONDITIONS DE TRANSPORT/D'ENTREPOSAGE :


Température ambiante : -40°C à 70°C, (-40°F à 158°F)
Humidité relative : 10 % à 95 %
Pression atmosphérique : 500 hPa à 1060 hPa


LÉGENDE


Attention : Lire le « Mode d'emploi » avant d'utiliser l'appareil : 


Équipement de Classe II à isolation renforcée : 

Protection de type « B » contre les chocs électriques : 

Ne pas jeter avec des déchets municipaux non triés.
Consulter les lois et règlements locaux pour une élimination adéquate : 

Interrupteur : 

Position « Marche » (compresseur allumé) : 

Position « Arrêt » (compresseur éteint) : 

REMARQUE : LORSQUE L'INTERRUPTEUR EST EN POSITION « ARRÊT » ET QUE LE COMPRESSEUR EST ÉTEINT, LE BOÎTIER DU COMPRESSEUR CONTIENT TOUJOURS UN POTENTIEL ÉLECTRIQUE. POUR COUPER L'ALIMENTATION DU COMPRESSEUR, IL FAUT RETIRER LE CORDON D'ALIMENTATION DE LA SOURCE D'ALIMENTATION.

J. RENSEIGNEMENTS SUR LA GARANTIE ET LES RETOURS

GARANTIE LIMITÉE DEL NÉBULISEUR RÉUTILISABLE LC^{MD} PLUS

Les nébuliseurs réutilisables PARI possèdent une garantie limitée de 6 mois pour une utilisation de soins à domicile. Si vous éprouvez des problèmes et devez retourner votre nébuliseur réutilisable PARI, veuillez communiquer avec la ligne Patients de PARI au 1.800.FAST.NEB (327.8632).

Veuillez nettoyer et désinfecter votre nébuliseur réutilisable PARI et le placer dans un sac en plastique avant de le retourner.

GARANTIE LIMITÉE DU DISPOSITIF D'ADMINISTRATION PAR VIOS^{MC} AEROSOL DELIVERY SYSTEM

PARI offre une garantie standard de cinq (5) ans sur le dispositif d'administration par aérosol Vios^{MC} et ses pièces. La période de garantie est imprimée sur l'étiquette du numéro de série située sous le compresseur. PARI garantit que le dispositif d'administration par aérosol Vios^{MC} et ses pièces seront libres de tout défaut de matériel ou de fabrication pendant une période de soixante (60) mois à compter de la date d'achat initiale de l'équipement. La présente garantie ne couvre pas les défaillances du nébuliseur, des tubes ou des accessoires. En outre, elle ne couvre pas les défaillances découlant d'un accident, d'un mauvais usage, d'un abus, d'une modification, d'une réparation non autorisée, de l'utilisation de pièces ou de solutions de nettoyage non autorisées ou de tout nonrespect du mode d'emploi. En cas de défaillance de l'équipement couvert pendant la période de garantie, PARI, à sa seule discrétion, réparera ou remplacera les pièces ou l'équipement défectueux, pourvu que la demande soit faite de bonne foi. Il incombe à l'acheteur d'emballer et de retourner l'équipement de façon à éviter tout dommage pendant l'expédition. Le colis doit être expédié port payé à l'attention de PARI Respiratory Equipment, Inc. Cette garantie couvre les coûts de main d'oeuvre engagés lors de la réparation ou du remplacement des composants couverts dans un centre de service PARI agréé seulement. Pour faire une demande d'indemnité en vertu de la présente garantie, avisez le centre de service PARI agréé en téléphonant à la ligne Patients de PARI au : 1.800.FAST.NEB (327.8632), faites le 2.

AUCUNE AUTRE GARANTIE EXPRESSE N'EST OFFERTE. TOUTE GARANTIE IMPLICITE DU dispositif d'administration par aérosol Vios^{MC} ET DE SES PIÈCES, Y COMPRIS TOUTE GARANTIE IMPLICITE DE QUALITÉ MARCHANDE ET D'ADAPTATION À UN USAGE PARTICULIER, EST LIMITÉE À SOIXANTE (60) MOIS À COMPTER DE LA DATE D'ACHAT INITIALE.

TOUTE GARANTIE EXPRESSE OU IMPLICITE À TOUT AUTRE NIVEAU, Y COMPRIS TOUTE GARANTIE IMPLICITE DE QUALITÉ MARCHANDE ET D'ADAPTATION À UN USAGE PARTICULIER, EST DÉCLINÉE. Certains territoires n'autorisent pas les limitations de la durée d'une garantie implicite, de sorte que la limitation ci-dessus peut ne pas vous être applicable. Votre seul et unique recours en vertu de cette garantie est la réparation ou le remplacement du dispositif d'administration par aérosol Vios^{MC} et/ou de ses pièces par PARI, à sa seule discrétion. EN AUCUN CAS PARI NE POURRA ÊTRE TENUE RESPONSABLE DES DOMMAGES ACCESSOIRES OU INDIRECTS, Y COMPRIS ET SANS RESTRICTION, LES DOMMAGES AYANT TRAIT AU MANQUE À GAGNER, À LA PERTE D'OCCASIONS D'AFFAIRES, À LA PERTE DE PROPRIÉTÉ, AUX PERTES FINANCIÈRES, AUX DOMMAGES-INTÉRÊTS LÉGAUX OU PUNITIFS ÉPROUVÉS PAR L'ACHETEUR OU TOUT TIERS, QUE CE SOIT PAR NÉGLIGENCE, GARANTIE, RESPONSABILITÉ ABSOLUE OU AUTRE. Certains territoires n'autorisent pas l'exclusion ou la limitation des dommages accessoires ou indirects, de sorte que les limitations ou exclusions ci-dessus peuvent ne pas vous être applicables. La présente garantie vous octroie certains droits spécifiques. Vous pouvez également disposer d'autres droits qui varient de pays en pays.

GARANTIE LIMITÉE PROLONGÉE D'UN AN DU DISPOSITIF D'ADMINISTRATION PAR AÉROSOL VIOS^{MC}

Si vous inscrivez votre dispositif d'administration par aérosol Vios^{MC} dans les six (6) mois suivant son achat, PARI prolongera votre garantie limitée standard d'un (1) an, pour une période totale de garantie de six (6) ans à compter de la date d'achat. Pour prouver la date d'achat du produit :

1) Fournissez une copie du reçu ou de la preuve d'achat ou 2) Identifiez la date d'achat et l'entreprise qui vous a vendu le produit.

Activez votre garantie prolongée et inscrivez votre dispositif d'administration par aérosol Vios^{MC} dès aujourd'hui de l'une des trois façons suivantes.



Visitez le site pari.com/register



Appelez au 1.800.FAST.NEB (327.8632)



Remplissez la carte d'inscription port payé préadressée et déposez-la dans n'importe quelle boîte aux lettres USPS.

Le fait de ne pas inscrire votre Vios^{MC} n'a aucune incidence sur la garantie limitée standard du produit.

Si vous éprouvez des problèmes et devez retourner votre compresseur Vios^{MC}, veuillez communiquer avec la ligne Patients de PARI au 1.800.FAST.NEB (327.8632).

Fabriqué pour :

PARI Respiratory Equipment, Inc.

2943 Oak Lake Blvd., Midlothian, VA 23112 É.-U.

Téléphone : 800.FAST.NEB (327.8632) et 804.253.7274

Télécopieur : 800.727.4112 | Product.Info@PARI.com

Site Web : www.PARI.com

Specialists in effective inhalation



© 2010 PARI Respiratory Equipment, Inc.
310D0027 Rev A 6-10

Vous avez des questions? 1.800.FAST.NEB (327.8632) | PARI.com/VIOS

FR-8