



READ AND SAVE THESE INSTRUCTIONS

Whole Room Air Purifier Owner's Guide

LEER Y GUARDAR ESTAS INSTRUCCIONES

Guía para el usuario del Purificador de Aire para todo el ambiente

LISEZ ET CONSERVEZ CES INSTRUCTIONS

Manuel d'utilisation du Purificateur d'Air pour Espace Entier

www.vornado.com

model AC300

Designed, engineered and supported in Andover, Kansas.

Pensado, diseñado y respaldado en Andover, Kansas.

Conception, mise au point et soutien technique effectués à Andover, au Kansas.

Questions or comments?

¿Preguntas o comentarios?

Questions ou commentaires?



www.vornado.com



consumerservice@vornado.com



1-800-234-0604

Important Instructions	4	Warranty and Repair	14
The Vornado Difference	5		
True HEPA Filtration.....	6		
Understanding CADR	6		
Product Information	7		
How to Use	8		
Filter Replacement.....	9		
Automatic Filter Refill Program	11		
Cleaning and Maintenance	12		
User Tips	12		
Troubleshooting	13		
Storage	13		

Important Instructions

READ ALL INSTRUCTIONS BEFORE USING THIS PRODUCT

This appliance has a polarized plug. (One blade is wider than the other.) To reduce the risk of electric shock, this plug is intended to fit in a polarized outlet only one way. If the plug does not fit fully in the outlet, reverse the plug. If it still does not fit, contact a qualified electrician. Do not attempt to defeat this safety feature.

WARNING – To reduce the risk of fire or electric shock, do not use this product with any solid state control device. Unplug the appliance from the power supply before cleaning, moving or servicing.

- **Do** unplug your Vornado Air Purifier before cleaning.
- **Do** clean your Vornado Air Purifier regularly. Refer to the Cleaning and Maintenance instructions provided. Never clean the Vornado Air Purifier in any manner other than as instructed in this manual.
- **Do Not** use gasoline, thinners, solvents, ammonias or other chemicals for cleaning.
- **Do Not** immerse this product in water or allow water to drip into the motor housing.
- **Do Not** use near furnaces, fireplaces, stoves or other high-temperature heat sources.

- **Do Not** block the top air vent so purified air cannot be circulated throughout the room.
- **Do Not** use this product outdoors.
- **Do Not** use this product on wet surfaces.
- **Do Not** use this product in a bathtub or shower.
- **Do Not** operate any purifier with a damaged cord or plug. Discard purifier or return to an authorized service facility for examination and/or repair.
- **Do Not** carry this product by the cord, or use the cord as a handle.
- **Do Not** attempt to repair or replace parts, except for Filters.
- **Do Not** run cord under carpeting. Do not cover cord with throw rugs, runners, or similar coverings. Do not route cord under furniture or appliances. Arrange cord away from traffic area and where it will not be tripped over.
- **Do** use common sense when using this product and/or any electrical appliance.

Trust.

It is said that trust isn't given, but earned. For decades Vornado has been earning the trust of our customers by offering them only the best. Vornado provides the highest level of performance, coupled with the highest level of support available. Complete satisfaction with no exceptions – this is Vornado's promise to you. If you are not satisfied for any reason, please contact us. Knowledgeable representatives are available at 1-800-234-0604 from 7:00 AM to 6:00 PM CST. A wealth of additional support is also available online at www.vornado.com. On behalf of myself and the entire staff at our Andover, Kansas headquarters – thank you for selecting Vornado.

Sincerely,
Bill Phillips
CEO, Vornado Air

Find our complete product line at www.vornado.com



Zippi™



Flippi™



Whole Room
Air Circulators



Whole Room
Humidifiers



Tower
Circulators



Whole Room
Heaters

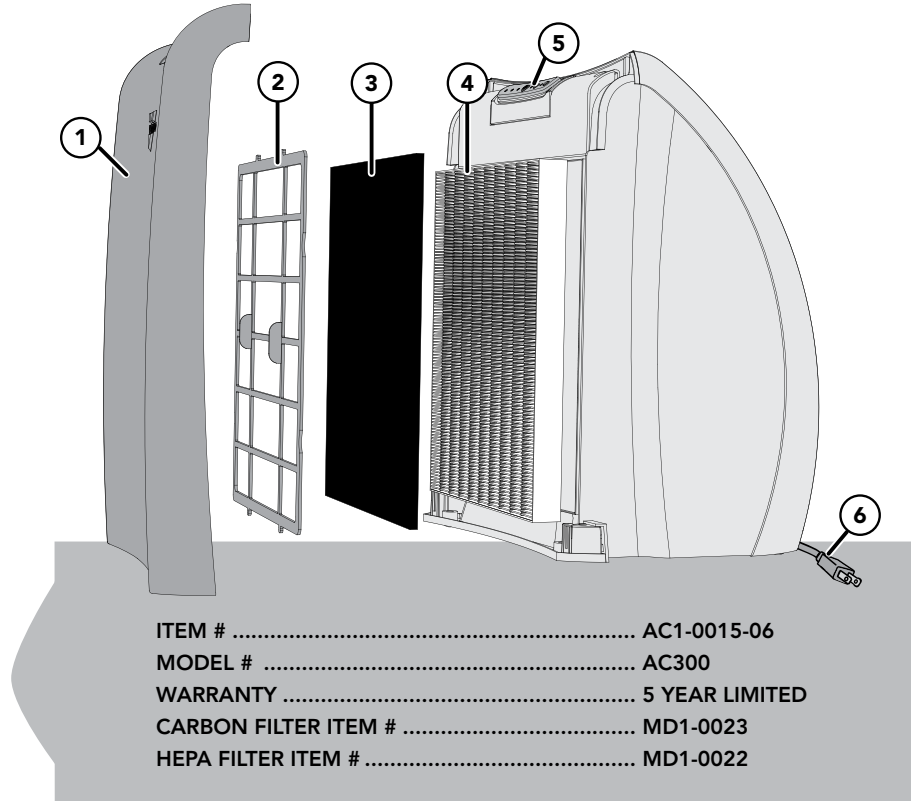
The Vornado Difference Filter All The Air



An air purifier, even at 99.97%* capture rate, is only effective if it is able to pull large volumes of air through the unit and disperse the purified air throughout the room. Vornado has combined a powerful blower with precise aerodynamics, to effectively clean all the air in the room. With Vornado's two stage Carbon and True HEPA filtration – the air leaving the unit is 99.97%* filtered of airborne particles such as dust, pollen, dander, smoke, bacteria, mold spores and dust mite debris.

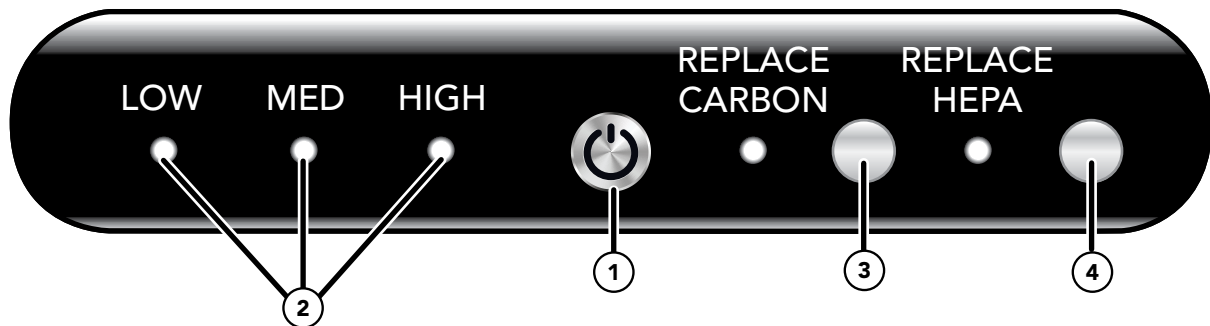
*0.3 microns or larger.

- 1 Front Panel**
- 2 Plastic Support Filter Frame**
The frame secures both Carbon and HEPA Filters in place.
- 3 Carbon Filter**
Captures larger initial particles and odors passing through the unit.
- 4 HEPA Filter**
Captures 99.97% of particles 0.3 microns or larger passing through the unit, allowing only filtered air back into the environment.
- 5 Control Panel**
Push button controls for easy and intuitive operation.
- 6 Power Cord**
Convenient 6 ft. cord.



ITEM #	AC1-0015-06
MODEL #	AC300
WARRANTY	5 YEAR LIMITED
CARBON FILTER ITEM #	MD1-0023
HEPA FILTER ITEM #	MD1-0022

How to Use



- 1 **Power**, Function ON and OFF by pressing the Power button.
- 2 **Fan Speed**, 3 fan speed settings to meet any need. Select Low, Medium, or High by pressing the Power button until desired speed is illuminated.

Note: Dust and allergens are most airborne when persons and pets are active in the room. For best results, set the unit on a higher speed setting during these times for high demand cleaning and circulation. Set the unit to a lower setting for quieter operation when activity is reduced.

- 3 **Carbon Filter Replacement**, Equipped with Replace Carbon filter indicator light to show when it is recommended to change the carbon filter. Please refer to FILTER REPLACEMENT for instructions. This feature is controlled by

time of use. The light will illuminate after 4,000 hours of run time has accumulated.

- 4 **HEPA Filter Replacement**, Equipped with Replace HEPA filter indicator light to show when it is recommended to change the HEPA filter. Please refer to FILTER REPLACEMENT for instructions. This feature is controlled by time of use. The light will illuminate after 9,000 hours of run time has accumulated.

Note: User environments will differ. The filter replacement time is based on average use situations, if you are using the air cleaner in a more demanding environment, you may need to change your filter more frequently. In less polluted environments the filter life may extend beyond the notification.

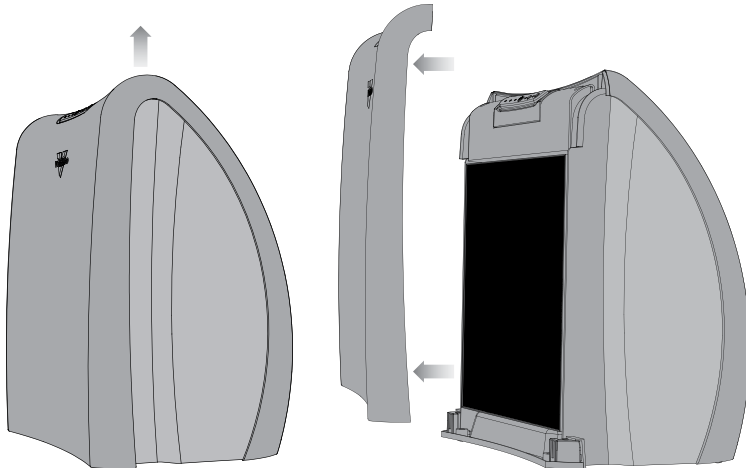
Filter Replacement

Genuine Vornado Filters Are Recommended

Peak performance is only realized when genuine Vornado Carbon and HEPA filters are used. Others may claim to be compatible with Vornado units, but the Vornado Air Purifier is calibrated to achieve a 99.97% capture rate of particles 0.3 microns or larger, only when used with Vornado Filters.

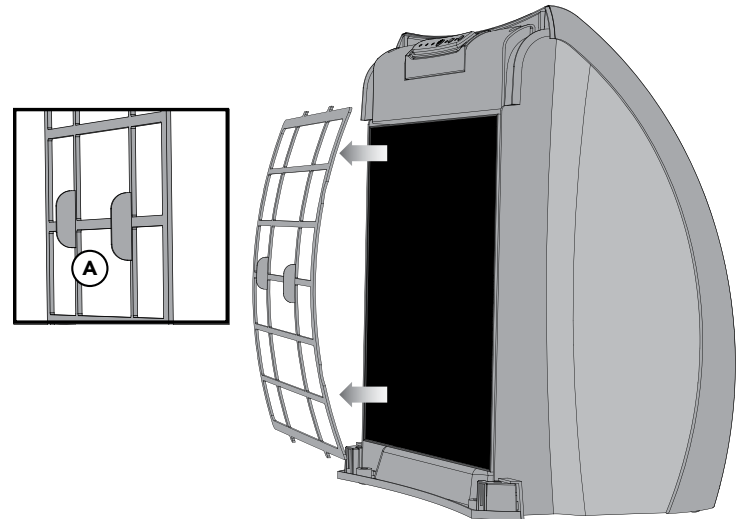
How To Replace Your Filters

1. Unplug unit.
2. Remove Front Panel by lifting up and away from unit.



Note: The Front Panel is held in place by magnets, you will need to lift the Front Panel hard enough to overcome the resistance of the magnets.

3. Remove the Plastic Support Filter Frame by pulling on the center tabs (A). You may need to flex the Plastic Support Filter Frame slightly to release the tabs at the top and bottom.



Filter Replacement

- 4.** Remove and discard used Filters. Simply take hold of the Carbon Filter at any place along the perimeter and remove. To remove the HEPA Filter, take hold of the tab (Figure 1) and pull to release. Replace with genuine Vornado Filters. Place the Filters in the unit and gently press around the perimeter of the Filter to ensure secure placement (Figure 2).

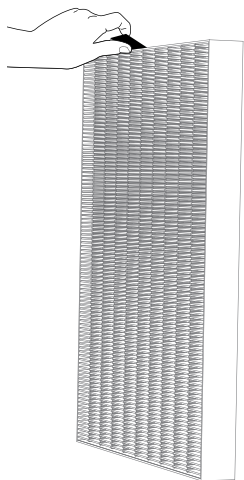


Fig. 1

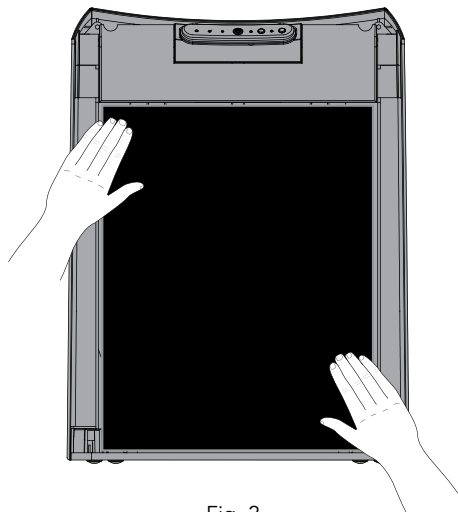
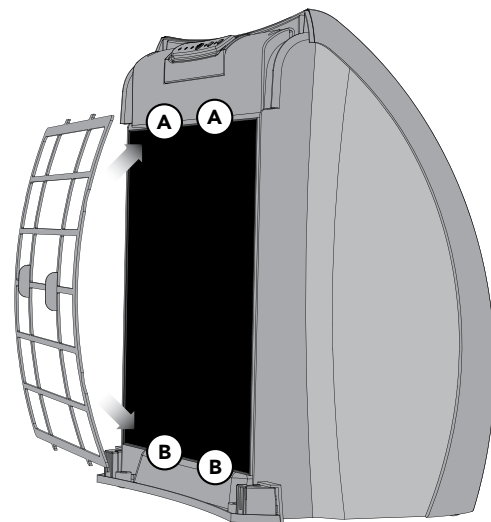
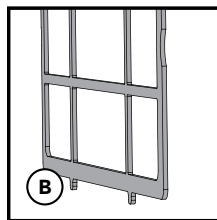
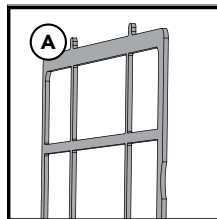


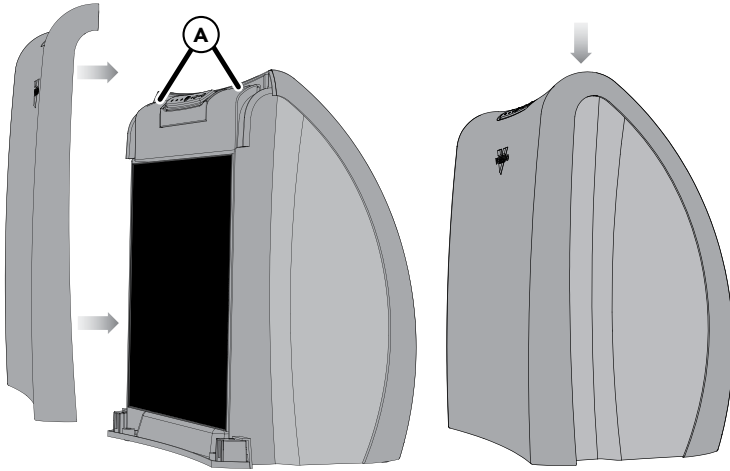
Fig. 2

- 5.** Replace the Plastic Support Filter Frame by securing the bottom 2 tabs into bottom slots (B). Slightly flex the Plastic Support Filter Frame to secure the top 2 tabs into the top slots (A).



Filter Replacement

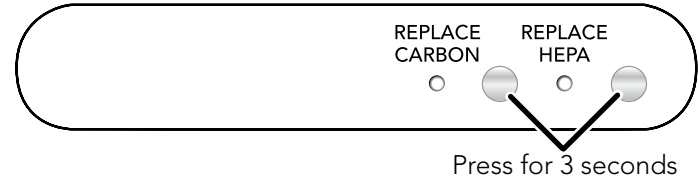
6. Replace Front Panel by positioning the Panel slightly above the unit and aligning the tabs of the Front Panel with the holes in the unit (A). Gently press the Front Panel down, sliding into the tab slots and allowing the magnets to securely lock the Front Panel in place.



Safety Shut-Off Feature

For your protection, the unit is designed to operate only if the Front Panel is in place. Do not attempt to override this safety feature. If, after the Front Panel has been removed, the unit does not operate, remove and reinstall the Front Panel to assure proper placement.

7. To reset the Replace Filter notification - press and hold the REPLACE CARBON or REPLACE HEPA button, depending on which filter was replaced, for at least 3 seconds. The light will turn off confirming the indicator is reset.



Note: Do not operate the Air Purifier without Vornado Carbon and Vornado HEPA Filter in place.

Automatic Filter Refill Program



A convenient way to receive regular shipments of Vornado Filters, direct to your door. Cancel at anytime. To sign up: www.vornado.com consumerservice@vornado.com 1-800-234-0604

HEPA Filter Part # MD1-0022
Carbon Filter Part # MD1-0023

How to Clean

Because large volumes of air pass through your Vornado Air Purifier each day, it will need regular cleaning.

1. Unplug the unit before cleaning.

Note: Do not use gasoline, thinners, solvents or other chemicals for cleaning.

2. Wipe down with a soft, damp cloth. (Figure 1)
3. Dust or vacuum the interior and along the sides. It is recommended to clean the interior when the filters are changed. (Figure 2)

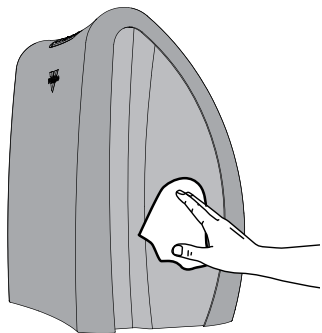


Fig. 1

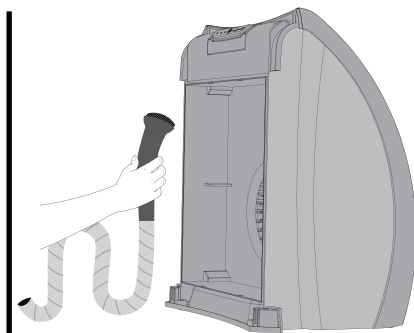
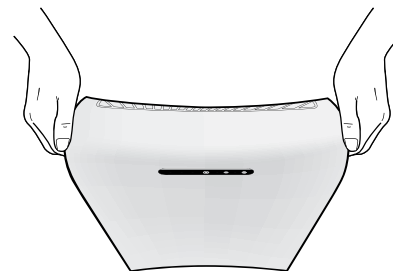


Fig. 2

Other Maintenance

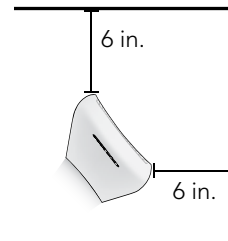
The motor is permanently lubricated so it needs no service. No other serviceable parts, other than filters, are contained within the unit.

1. Keep retail carton to store unit when not in use.
2. Use the hand holds on either side of the unit for easy carrying.



3. For best results, position the front of the unit (side with logo) towards the center of the room, leaving at least a 6 inch distance away from walls or furniture on every side.

Note: For optimum airflow, air outlet should be unobstructed. Ensure curtains and other items are far enough away from the unit to not be pulled in side inlets or interfere with airflow.



Problem

Possible Cause and Solution

Unit fails to power on.

Unit is not plugged in. Plug power cord into electrical outlet.

Front Panel may not be properly installed. Remove and reinstall the Front Panel to assure proper placement. Refer to FILTER REPLACEMENT on page 15.

Household circuit breaker / ground fault interrupter has tripped or blown a fuse. Reset circuit breaker / ground fault interrupter, or replace fuse. For assistance, contact a licensed electrician.

The unit has blown a fuse. Cease usage and unplug. Contact Consumer Service for assistance.

Unit is damaged or in need of repair. Cease usage and unplug. Contact Consumer Service for assistance.

Airflow is weak or slow.

Unit set to a low speed setting. Adjust to a higher speed setting.

Debris build-up on filter. Check and replace filters.

Airflow is blocked. Remove obstruction.

Storage

Follow the steps below when you are ready to store your unit.

1. Unplug power cord and bundle loosely.
2. Lift unit with both hands, using hand holds. Refer to USER TIPS.
3. Cover, or place back in retail carton if available. This will prevent the unit from accumulating dust overtime.
4. Store unit in a cool and dry location.



Whole Room Air Purifier • 5 Year Limited Warranty

Vornado Air LLC (“Vornado”) warrants to the original consumer or purchaser this Vornado® Air Purifier (“Product”) is free from defects in material or workmanship for a period of five (5) years from the date of purchase, depending on model. If any such defect is discovered within the warranty period, Vornado, at its discretion, will repair or replace the Product at no cost. Repairs not covered by the warranty or outside the warranty period will require a fee to cover the cost of materials, labor, handling and shipping.

This warranty does not apply to defects resulting from abuse of the Product, modification, alteration, repair or service of the Product by anyone other than Vornado, mishandling, improper maintenance, commercial use of the Product, damages which occur in shipment or are attributed to acts of God.

REPAIR OR REPLACEMENT AS PROVIDED UNDER THIS WARRANTY IS THE EXCLUSIVE REMEDY OF THE CONSUMER. VORNADO SHALL NOT BE LIABLE FOR ANY INCIDENTAL OR CONSEQUENTIAL DAMAGES FOR BREACH OF ANY EXPRESS OR IMPLIED WARRANTY ON THIS PRODUCT. EXCEPT TO THE EXTENT PROHIBITED BY APPLICABLE LAW, ANY IMPLIED WARRANTY OF MERCHANTABILITY OR FITNESS FOR A PARTICULAR PURPOSE ON THIS PRODUCT IS LIMITED IN DURATION TO THE DURATION OF THIS WARRANTY.

Some states do not allow the exclusion or limitation of incidental or consequential damages, or allow limitations on how long an implied warranty lasts, so the above limitations or exclusions may not apply to you. This warranty gives you specific legal rights, and you may have other rights that vary from state to state.

For warranty or repair service, call 1-800-234-0604 or email

consumerservice@vornado.com to obtain a Return Authorization (“RA”) form. Please have or include your Product’s model number and serial number, as well as your name, address, city, state, zip code and phone number when contacting Vornado for warranty service. After receiving the RA form, ship your Product to:

Vornado Air LLC
Attn: Warranty & Repair
415 East 13th Street
Andover, KS 67002

For your convenience, please have your model number and serial number when contacting Vornado with service inquiries. To assure proper handling, packages must be clearly marked with the RA number. Packages not clearly marked with the RA number may be refused at the receiving dock.

Please allow 1-2 weeks for repair and return of your Product after the Product is received. For your records: Staple or attach your original sales receipt to this Owner’s Guide. Please also write your product’s serial number below (located on product specs decal).

Serial No. _____

Product registration available online at www.vornado.com

© 2012 Vornado Air LLC Andover, KS 67002

Patents Pending. Specifications subject to change without notice.

Vornado® is a trademark owned by Vornado Air LLC.

www.vornado.com consumerservice@vornado.com 800.234.0604

Instrucciones Importantes	16	Garantía y Reparará	26
La Diferencia Vornado.....	17		
Filtración True HEPA	18		
Acerca De CADR.....	18		
Información Sobre el Producto	19		
Cómo Usar	20		
Cambio De Filtros	21		
Programa De Recambio Automático De Filtros	23		
Limpieza y Mantenimiento	24		
Sugerencias Para El Usuario	24		
Resolución De problemas	25		
Almacenamiento Adecuado.....	25		

Instrucciones Importantes

Lea Todas Las Instrucciones Antes De Usar

Este artefacto posee un enchufe polarizado. (Una pata es más ancha que la otra.) Para reducir el riesgo de descarga eléctrica, esta clavija tiene la intención de entrar en una toma de corriente polarizada solamente de una manera. Si la clavija no entra totalmente en la toma con corriente, ponga la clavija del otro lado. Si todavía no entra, comuníquese con un electricista calificado. No intente derrotar esta característica de seguridad.

ADVERTENCIA: Para reducir el riesgo de incendio o electrocución, absténgase de usar este ventilador con un dispositivo de control de velocidad de estado sólido. Para minimizar el riesgo de incendio, electrocución y lesiones personales, absténgase de usar este ventilador en una ventana.

- Desenchufe el purificador de aire Vornado antes de limpiarlo.
- Limpie con frecuencia el purificador de aire Vornado. Consulte las instrucciones de la sección Limpieza y mantenimiento. No limpie del purificador de aire Vornado de una forma que no se indique en este manual.
- No utilice gasolina, diluyente, solvente, amoníaco u otros químicos para limpiar.
- No sumerja este producto en agua ni permita que se filtre agua en la carcasa del motor.
- No utilice cerca de calderas, chimeneas, hornos u otras fuentes calientes de alta temperatura.
- No bloquee la rejilla de ventilación superior porque el aire purificado no podrá circular por el ambiente.
- No utilice este producto al aire libre.
- No utilice este producto sobre superficies húmedas.
- No utilice este producto en una bañera o ducha.
- No encienda el purificador si tiene el cable o el enchufe dañado. Deseche el purificador o recurra al servicio técnico autorizado para que lo revisen y/o reparen.
- No mueva este producto jalando del cable, ni utilice el cable como manija.
- No intente reparar o cambiar las piezas.
- No coloque el cable debajo de una alfombra. No cubra el cable con tapetes, alfombrillas o cobertores similares. No coloque el cable debajo de muebles o electrodomésticos. Coloque el cable lejos del área de tránsito en un lugar donde no genere tropiezos.
- Aplique el sentido común al utilizar este producto y/o cualquier artefacto eléctrico.

La Confianza.

Se dice que la confianza no se regala, sino que se gana. Durante décadas Vornado se ha ganado la confianza de nuestros clientes ofreciéndoles sólo lo mejor. Vornado brinda el mayor nivel de rendimiento combinado con el mayor nivel de soporte disponible. Satisfacción total sin excepciones; esta es la promesa que le realiza Vornado. Si usted no está satisfecho por algún motivo, por favor contáctenos. En el 1-800-234-0604 de 7:00 AM a 6:00 PM CST encontrará representantes expertos. En www.vornado.com también encontrará abundante soporte adicional disponible. En nombre mío y de todo el personal de nuestra sede de Andover, Kansas le agradecemos por elegir Vornado.

Cordialmente,
Bill Phillips
CEO, Vornado Air

Encuentre nuestra línea de productos completa en www.vornado.com



Zippi™



Flippi™



Whole Room
Air Circulators



Whole Room
Humidifiers



Tower
Circulators



Whole Room
Heaters

La Diferencia Vornado

Filtra todo el aire



See it
in action

Un purificador de aire, incluso con un índice de captación de 99.97%*, únicamente es eficaz si logra atraer grandes volúmenes de aire a través de la unidad y distribuir el aire purificado por el ambiente. Vornado ha combinado un extractor potente con aerodinámica precisa para purificar eficazmente el aire del ambiente. Con la filtración de dos niveles de carbono y True HEPA de Vornado, el aire que sale de la unidad está 99.97%* filtrado de partículas aéreas tales como polvo, polen, caspa, humo, bacterias, esporas de moho y fragmentos de ácaros del polvo.

*0.3 micrones o más.

¿Qué es CADR?

CADR significa "índice de emisión de aire puro," que indica el volumen de aire filtrado y emitido por un purificador de aire. Los índices CADR indican la eficacia del purificador de aire para capturar en el ambiente partículas finas provenientes de cosas tales como el humo del tabaco y el polen de las plantas. Cuanto mayor sea la cifra, mayor es la velocidad de filtrado de aire de la unidad.

Nota: Se sugiere el uso de este purificador de aire en un ambiente único y cerrado de hasta 220 pies cuadrados. Los purificadores de aire portátiles son mucho más eficaces en ambientes con puertas y ventanas cerradas.

Analizado según el Estándar Nacional ANSI/AHAM AC-1

Los purificadores de aire para todo el ambiente de Vornado presentan una calibración de precisión True HEPA.

Sin una adecuada calibración del flujo de aire, los productos con filtro True HEPA no alcanzan la máxima potencia de filtración. Los huecos, las carcasas mal selladas del filtro, y la excesiva velocidad del aire reducen la eficacia del producto. Los análisis de laboratorios independientes verifican que la calibración precisa de un purificador de aire Vornado permite su funcionamiento según estándares True HEPA.

CADR

Tasa de Emisión de Aire Puro

Tamaño del ambiente	Cambios de aire por hora
10x10	10.6
12x12	7.4
14x14	5.4

humo **142**

polvo **152**

polen **170**

Fuente: Laboratorio de Análisis Independiente

Este valor representa el rendimiento esperado dentro de las primeras 72 horas de funcionamiento. El uso posterior puede variar con el uso.



Captura y Elimina:



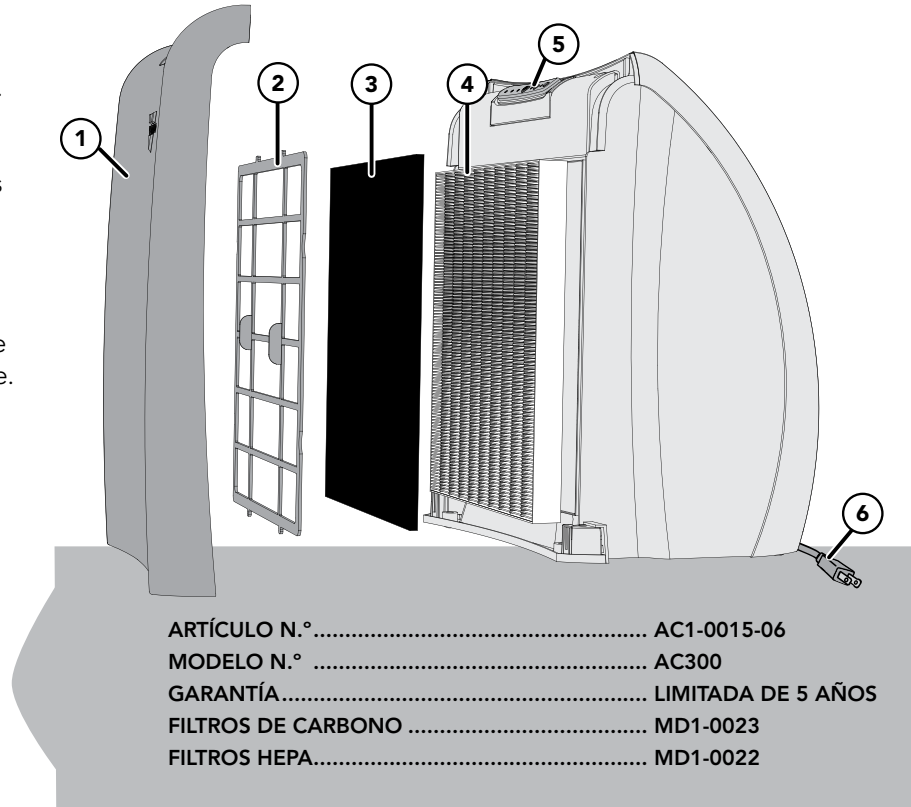
Tamaño de partículas de micrones



Fuente: ASHRAE Standard 52.2-2007

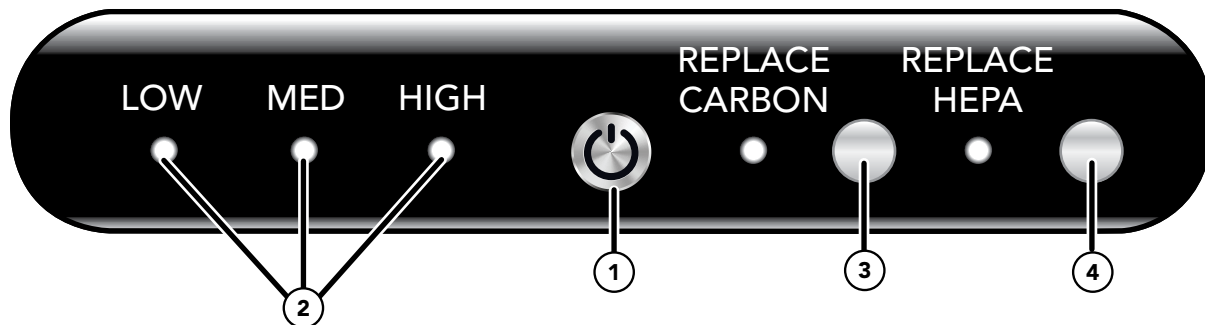
Información sobre el producto

- 1 Panel Frontal**
- 2 Marco Del Filtro Con Soporte De Plástico**
El marco sujeta el filtro HEPA y el filtro de carbono.
- 3 Filtro De Carbono**
Captura las partículas iniciales más grandes y los olores que pasan por la unidad.
- 4 Filtro Hepa**
Captura el 99.97% de las partículas de 0.3 micrones o más que pasan por la unidad, y permite que únicamente el aire filtrado regrese al ambiente.
- 5 Panel De Control**
Controles con teclas para un funcionamiento sencillo e intuitivo.
- 6 Cable De Energía**
Cable práctico de 6 pies.



ARTÍCULO N.º	AC1-0015-06
MODELO N.º	AC300
GARANTÍA.....	LIMITADA DE 5 AÑOS
FILTROS DE CARBONO	MD1-0023
FILTROS HEPA.....	MD1-0022

Cómo Usar



- 1 **Energía:** función ON (encendido) y OFF (apagado) al presionar el botón Power (energía).
- 2 **Velocidad Del Ventilador,** 3 velocidades de ventilación. Para seleccionar la velocidad baja, media, o alta, presione el botón Power (Energía) hasta visualizar la velocidad deseada.
Nota: Hay más polvo y alérgenos en el aire cuando hay personas y mascotas en movimiento en el ambiente. Para obtener mejores resultados, configure la unidad en una velocidad alta durante esos momentos para una limpieza y circulación de alta demanda. Configure la unidad en una velocidad menor para un funcionamiento más silencioso cuando la actividad sea reducida.
- 3 **Cambio Del Filtro De Carbono,** equipado con una luz indicadora Cambiar Filtro de Carbono para indicar cuándo se recomienda cambiar los filtros de carbono. Consulte la

sección CAMBIO DE FILTROS para obtener instrucciones. Esta función es controlada por el tiempo de uso. La luz se iluminará después de 4,000 horas de tiempo de uso acumulado.

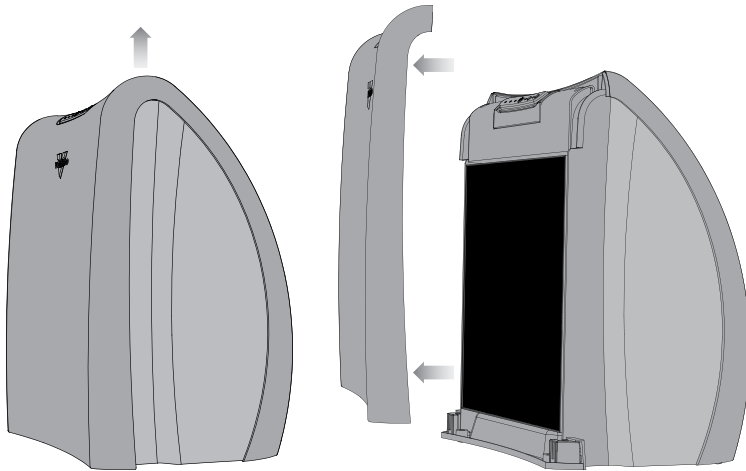
- 4 **Cambio Del Filtro Hepa:** equipado con una luz indicadora Cambiar Filtro HEPA para indicar cuándo se recomienda cambiar los filtros HEPA. Consulte la sección CAMBIO DE FILTROS para obtener instrucciones. Esta función es controlada por el tiempo de uso. La luz se iluminará después de 9,000 horas de tiempo de uso acumulado.
Nota: En ambientes menos contaminados, la vida útil del filtro puede extenderse más allá de la notificación. Los ambientes de los usuarios varían. El tiempo de cambio del filtro se basa en situaciones de uso promedio, si usted utiliza el purificador de aire en un entorno de mayor demanda, deberá cambiar el filtro con mayor frecuencia.

Se recomienda el uso de filtros Vornado originales.

El máximo rendimiento únicamente se logra al utilizar filtros HEPA y de carbono Vornado originales. Otros fabricantes pueden decir que son compatibles con las unidades Vornado, pero el purificador de aire Vornado está calibrado para lograr un índice de captación del 99.97% de las partículas de 0.3 micrones o más únicamente cuando se lo utiliza con filtros Vornado.

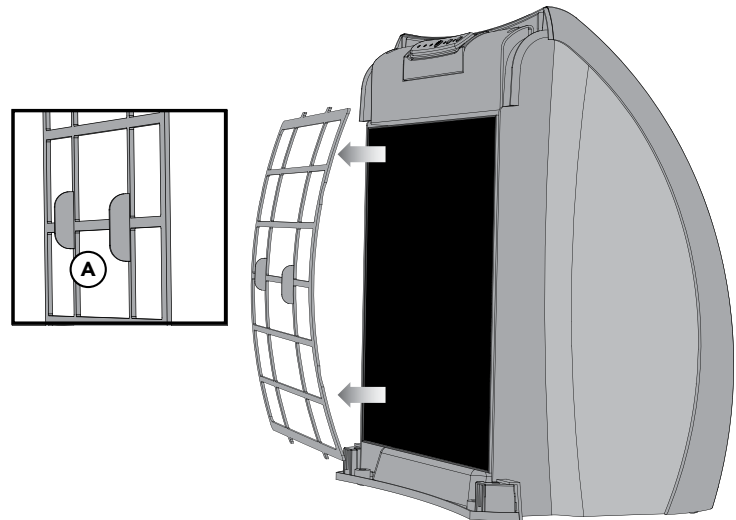
Cómo cambiar los filtros

1. Desenchufe la unidad.
2. Quite el panel frontal. Para ello, levántelo y sepárelo de la unidad.



Nota: El panel frontal está sostenido por imanes. Por ello, deberá levantar la tapa lo suficientemente fuerte como para vencer la resistencia de los imanes.

3. Quite el marco del filtro con soporte de plástico. Para ello, jale las lengüetas centrales (A). Es posible que tenga que flexionar levemente el marco para liberar las lengüetas de la parte superior e inferior.



Cambio De Filtros

4. Quite y deseche los filtros usados. Simplemente tome el filtro de carbono en cualquier parte del perímetro y quítelo. Para quitar el filtro HEPA, tome la lengüeta (Figura 1) y jale para quitarlo. Reemplace por filtros Vornado originales. Coloque los filtros en la unidad y presione suavemente alrededor del perímetro del filtro para garantizar su correcta colocación (Figura 2).

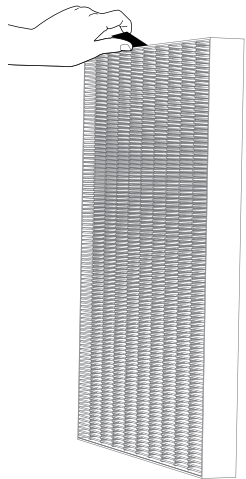


Fig. 1

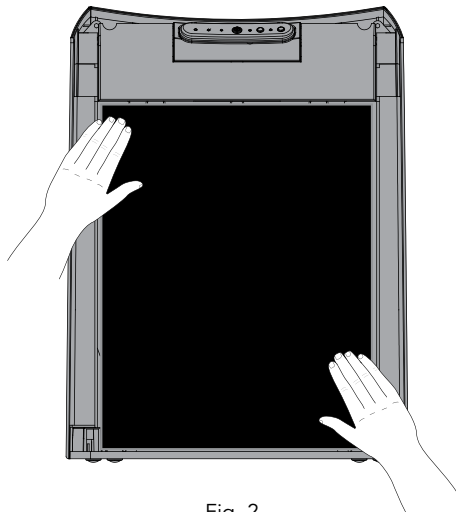
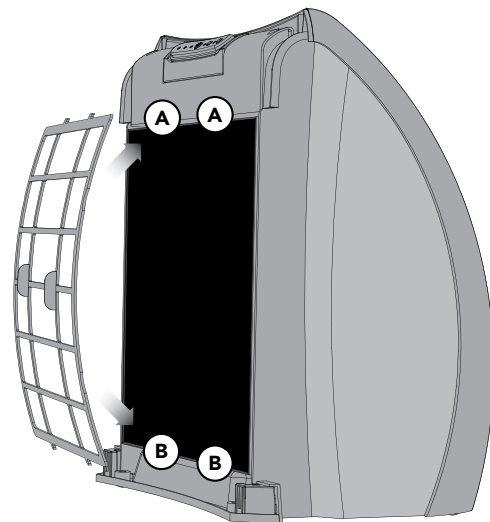
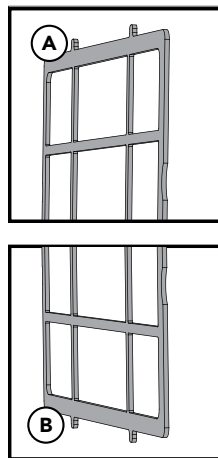


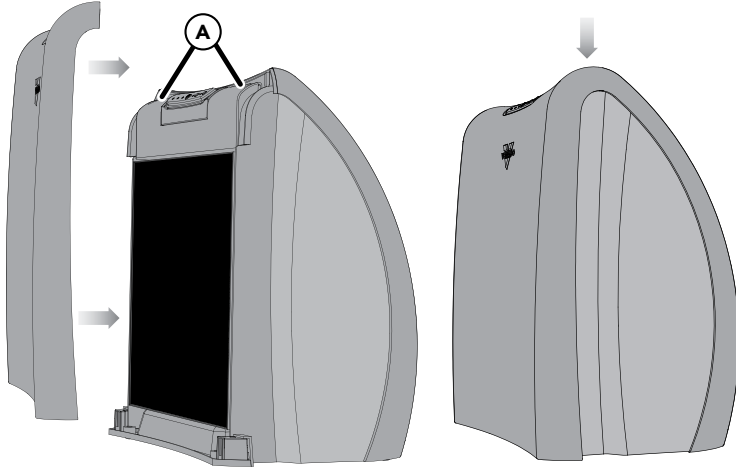
Fig. 2

5. Cambie el marco del filtro con soporte de plástico. Para ello, sujete las 2 lengüetas inferiores en las ranuras inferiores (B). Flexione suavemente el marco para sujetar las 2 lengüetas superiores en las ranuras superiores (A).



Cambio De Filtros

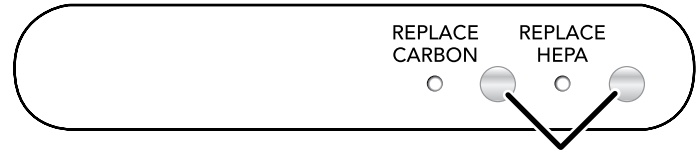
6. Coloque nuevamente el panel frontal. Para ello, coloque la tapa suavemente sobre la unidad y alinéela en ambos lados (A). Presione suavemente la tapa hacia abajo para permitir que los imanes sujeten el panel en su lugar.



Función de desconexión de seguridad

Para su protección, la unidad está diseñada para funcionar únicamente si el panel frontal está en su lugar. No intente anular esta función de seguridad. Si, luego de quitar el panel frontal, la unidad no funciona, quite y vuelva a instalar el panel frontal para garantizar un funcionamiento adecuado.

7. Para reiniciar la notificación de cambio de filtro, presione y mantenga presionado el botón REPLACE CARBON (Cambiar filtro de carbono) o REPLACE HEPA (Cambiar filtro HEPA), según el filtro que cambió, durante 3 segundos como mínimo. La luz se apagará para confirmar que el indicador se ha reiniciado.



Presione durante 3 segundos

Nota: No encienda el purificador de aire si no tiene colocado el filtro de carbono Vornado y el filtro HEPA Vornado.

Programa De Recambio Automático De Filtros



Una forma práctica de recibir regularmente filtros Vornado directamente en su casa. Puede cancelar la suscripción en cualquier momento. Para suscribirse:
www.vornado.com
consumerservice@vornado.com
1-800-234-0604

Filtros HEPA Part # MD1-0022
Filtros De Carbono Part # MD1-0023

Limpieza

Como todos los días pasan grandes volúmenes de aire por el purificador de aire Vornado, deberá limpiarse de forma regular.

1. Desenchufe la unidad antes de limpiarla.

Nota: No utilice gasolina, diluyente, solvente, u otros químicos para limpiar.

2. Limpie con un paño suave y húmedo. (Figura 1)

3. Quitar el polvo o aspirar el interior y los laterales del purificador de aire Vornado al cambiar los filtros. (Figura 2)

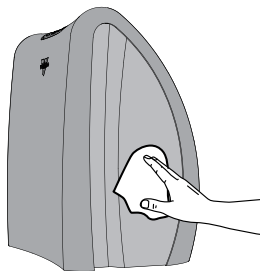


Fig. 1

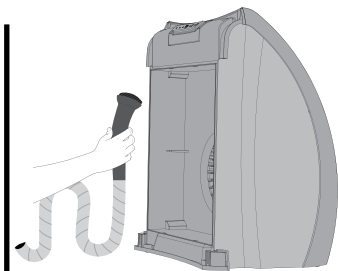


Fig. 2

Otro Mantenimiento

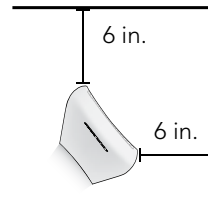
El motor se lubrica permanentemente y por ello no necesita mantenimiento. La unidad no contiene otras piezas de mantenimiento más allá de los filtros.

1. Conserve la caja de embalaje para guardar la unidad cuando no esté en uso.
2. Utilice las manijas de ambos lados de la unidad para transportarla de forma fácil.



3. Para obtener mejores resultados, coloque el frente de la unidad (donde se encuentra el logotipo) hacia el centro del ambiente y deje como mínimo una distancia de 6 pulgadas entre todos los lados de la unidad y las paredes o muebles.

Nota: Para obtener un flujo de aire óptimo, la salida de aire no debe estar obstruida. Asegúrese de que las cortinas y otros objetos estén suficientemente lejos de la unidad como para que no sean absorbidos por las entradas laterales ni interfieran en el flujo de aire.



Problema

Posible causa y solución

La unidad no enciende.

La unidad no está enchufada. Enchufe el cable de corriente en el tomacorriente.

Es posible que el panel frontal no esté bien instalado. Quite y reinstale el panel frontal para garantizar su correcta colocación. Consulte CAMBIO DEL FILTRO en la página 23.

El disyuntor/interruptor de falla a tierra doméstico ha desconectado o fundido un fusible. Reinicie el disyuntor/interruptor de falla a tierra, o cambie el fusible. Para recibir ayuda, comuníquese con un electricista licenciado.

La unidad ha fundido un fusible. Deje de usar y desenchufe la unidad. Comuníquese con el Servicio al Consumidor para recibir ayuda.

La unidad está dañada o debe ser reparada. Deje de usar y desenchufe la unidad. Comuníquese con el Servicio al Consumidor para recibir ayuda.

El flujo de aire es débil o lento.

La unidad está configurada en velocidad baja. Ajuste la unidad a una velocidad mayor.

Acumulación de residuos en el filtro. Verifique y cambie los filtros.

El flujo de aire está bloqueado. Quite la obstrucción.

Almacenamiento Adecuado

Siga los pasos que se indican a continuación para guardar la unidad.

1. Desenchufe el cable de energía. Ate el cable de energía sin apretarlo.
2. Levante la unidad con ambas manos utilizando las manijas. Consulte las SUGERENCIAS PARA EL USUARIO.

3. Cubra la unidad o colóquela en la caja de embalaje si estuviera disponible. Esto impedirá que la unidad acumule polvo con el correr del tiempo.
3. Guarde la unidad en un lugar fresco y seco.



Purificador de aire para todo el ambiente • Garantía limitada de 5 años

Vornado Air LLC ("Vornado") garantiza al consumidor o comprador original que este Purificador de Aire Vornado® ("Producto") no tendrá defectos de materiales o fabricación durante un periodo de cinco (5) años a partir de la fecha de compra, según el modelo. En caso de detectarse algún defecto de este tipo dentro del periodo de garantía, Vornado, a su discreción, reparará o reemplazará el producto sin costo alguno. Respecto de las reparaciones que no cubra la garantía o que se realicen fuera el periodo de garantía, deberá pagarse un arancel para cubrir el costo de materiales, mano de obra, manipulación y envío.

Esta garantía no se aplica a defectos generados por el abuso del Producto, modificación, alteración, reparación o servicio del Producto por parte de una persona externa a Vornado, manipulación incorrecta, mantenimiento adecuado, uso comercial del Producto, daños producidos durante el envío o atribuidos a hechos fortuitos.

LA REPARACIÓN O EL REEMPLAZO SEGÚN SE ESTABLECE EN VIRTUD DE ESTA GARANTÍA ES UN RECURSO EXCLUSIVO DEL CONSUMIDOR. VORNADO NO SERÁ RESPONSABLE DE LOS DAÑOS INCIDENTALES O INDIRECTOS PRODUCIDOS COMO CONSECUENCIA DEL INCUMPLIMIENTO DE UNA GARANTÍA EXPLÍCITA O IMPLÍCITA SOBRE ESTE PRODUCTO. SALVO QUE LA LEY APLICABLE LO PROHÍBA, LA VIGENCIA DE LA GARANTÍA IMPLÍCITA DE APTITUD O IDONEIDAD PARA UN FIN ESPECÍFICO DE ESTE PRODUCTO ESTARÁ LIMITADA A LA VIGENCIA DE ESTA GARANTÍA.

Algunos estados no permiten la exclusión o limitación de los daños incidentales o indirectos, o limitaciones sobre la vigencia de una garantía implícita. Por ello, las limitaciones o exclusiones que se indican anteriormente pueden no aplicarse en su caso. Esta garantía le otorga derechos legales específicos, y usted puede tener otros derechos que varían entre un estado y otro.

Para consultas sobre garantía o servicio de reparación, llame al 1-800-234-0604 o envíe un correo electrónico a consumerservice@vornado.com para obtener un formulario de Autorización de Devolución ("RA" por sus siglas en inglés). Cuando se comunique con Vornado respecto del servicio de garantía, tenga o incluya el número de modelo y número de serie del Producto, como también su nombre, dirección, ciudad, estado, código postal y número de teléfono. Luego de recibir el formulario RA, envíe su Producto a:

Vornado Air LLC
Attn: Warranty & Repair
415 East 13th Street
Andover, KS 67002

Para su comodidad, tenga a mano el número de modelo y número de serie al comunicarse con Vornado para consultas sobre servicio. Para garantizar la manipulación adecuada, los paquetes deben estar claramente marcados con el número RA. Los paquetes que no estén claramente marcados con el número RA podrán ser rechazados en la plataforma de recepción.

La reparación y devolución de su Producto tardará entre 1 y 2 semanas a partir de la recepción del Producto. Para su control: Abroche o adjunte el comprobante original de compra a esta Guía para el propietario. También anote el número de serie de su producto a continuación (se encuentra en el autoadhesivo de especificaciones del producto).

N.º de serie _____

Registro del producto disponible en línea en www.vornado.com
© 2012 Vornado Air LLC Andover, KS 67002

Patente en trámite. Las especificaciones pueden modificarse sin previo aviso.
Vornado® es una marca registrada propiedad de Vornado Air LLC.
www.vornado.com consumerservice@vornado.com 800.234.0604

Table des matières

Directives Importantes.....	28	Rangement Adéquat.....	37
La Différence Vornado	28	Garantie et Réparera	38
Véritable Filtration HEPA.....	30		
Comprendre Le DAP.....	30		
Informations Sur Le Produit.....	31		
Utilisation	32		
Remplacement Des Filtres.....	33		
Programme De Réapprovisionnement Automatique Des Filtres	35		
Nettoyage et Entretien	36		
Conseils d'Utilisation.....	36		
Dépannage	37		

Directives Importantes

Lisez Toutes Les Instructions Avant L'utilisation

Cet appareil est muni d'une fiche polarisée. (L'une des lames est plus large que l'autre.) Dans le but de réduire le risque de décharge électrique, cette fiche est conçue pour être insérée d'une seule façon dans une prise polarisée. Si la fiche ne s'insère pas totalement dans la prise, inversez-la. Si elle ne convient toujours pas, contactez un électricien qualifié. Ne tentez, en aucun cas, d'altérer cette caractéristique de sécurité.

AVERTISSEMENT – Afin de réduire le risque d'incendie ou de décharge électrique, n'utilisez pas ce produit avec un dispositif à semi-conducteurs, quel qu'il soit, pour régler la vitesse. Afin de réduire le risque d'incendie ou de décharge électrique et de blessures pour les personnes, n'utilisez pas ce ventilateur dans une fenêtre.

- Débrancher le purificateur d'air Vornado avant de le nettoyer.
- Nettoyer régulièrement le purificateur d'air Vornado. Consulter les instructions de nettoyage et d'entretien fournies. Ne jamais nettoyer le purificateur d'air Vornado d'une façon différente de celle expliquée dans le présent mode d'emploi.
- Ne pas utiliser d'essence, de diluant, de solvant, d'ammoniac ou d'autres produits chimiques pour le nettoyage.
- Ne pas immerger ce produit dans l'eau et ne pas laisser

l'eau dégoutter dans le boîtier du moteur.

- Ne pas utiliser le produit près d'un appareil de chauffage, d'un foyer, d'un four ou d'autres sources de chaleur à température élevée.
- Ne pas bloquer l'évent d'aération supérieur, sinon l'air purifié ne pourra pas circuler dans toute la pièce.
- Ne pas utiliser ce produit à l'extérieur.
- Ne pas utiliser ce produit sur des surfaces humides ou trempées.
- Ne pas utiliser ce produit dans un bain ou une douche.
- Ne pas faire fonctionner un purificateur si son cordon ou sa prise sont endommagés. Jeter le purificateur ou le retourner à un établissement de réparation autorisé pour qu'il soit vérifié et/ou réparé.
- Ne pas se servir du cordon pour transporter ce produit ou utiliser le cordon comme une poignée.
- Ne pas essayer de réparer ou de remplacer des pièces.
- Ne pas faire passer le cordon sous un tapis. Ne pas recouvrir le cordon d'une carpe, d'un tapis d'escalier ou de corridor, ou d'un revêtement similaire. Ne pas faire passer le cordon sous un meuble ou un appareil électrique. Faire passer le cordon à l'écart des zones passantes, dans un endroit où il ne peut faire trébucher les gens.
- Faire preuve de bon sens lors de l'utilisation de ce produit et/ou de tout autre appareil électrique.

La Confiance.

On entend souvent dire que la confiance n'est pas donnée, mais méritée. Pendant des décennies, Vornado continue de mériter la confiance de ses clients en ne leur offrant que ce qu'elle a de mieux. Vornado propose le plus haut niveau de performance, couplé avec le plus haut niveau de soutien possible. Une entière satisfaction sans aucune exception - c'est bien la promesse que Vornado vous fait. Si vous n'êtes pas satisfait pour une quelconque raison, veuillez nous contacter. Nos représentants hautement informés sont à votre disposition au 1-800-234-0604 de 7:00h à 18:00h HNC. Une abondance de données de soutien supplémentaires est également disponible en ligne sur www.vornado.com. J'aimerais enfin, à mon propre nom et au nom de l'ensemble du personnel de notre siège à Andover, Kansas, vous remercier d'avoir choisi Vornado.

Cordialement,
Bill Phillips
CEO, Vornado Air

Découvrez notre gamme complète de produits sur www.vornado.com



Zippi™



Flippi™



Whole Room
Air Circulators



Whole Room
Humidifiers

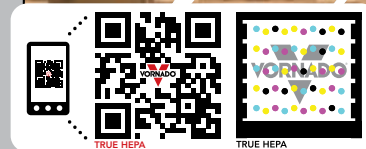


Tower
Circulators



Whole Room
Heaters

La Différence Vornado Filtrez L'air Au Complet



See it
in action

Même quand son taux d'efficacité est de 99,97 %*, un purificateur d'air est efficace seulement s'il peut aspirer de gros volumes d'air et distribuer l'air purifié dans toute la pièce. Vornado a combiné un ventilateur puissant à une aérodynamique précise afin d'assainir efficacement tout l'air de la pièce. Vornado tire parti d'une filtration en deux étapes : une filtration au charbon et une véritable filtration HEPA. Ainsi, en filtrant l'air, l'appareil élimine 99,97 %* des particules en suspension dans l'air, telles que la poussière, le pollen, les squames, la fumée, les bactéries, les spores de moisissures et les débris d'acariens.

*Des particules mesurant 0,3 microns ou plus.

Qu'est-ce que le DAP?

DAP signifie « débit d'air purifié ». Il s'agit du volume d'air filtré que fournit un purificateur d'air. L'indice DAP montre le degré d'efficacité d'un purificateur d'air quand il s'agit de capter les petites particules. Un indice DAP plus élevé indique une meilleure performance dans toutes les grandeurs de pièces.

Remarque: Il est suggéré d'utiliser cet épurateur d'air dans une pièce fermée individuelle dont la superficie ne dépasse pas 31 mètres carrés.

Les épurateurs d'air portables sont beaucoup plus efficaces si toutes les portes et les fenêtres de la pièce sont fermées. Testé selon la norme nationale ANSI/AHAM AC-1

Les purificateurs d'air pour toute la pièce de Vornado comportent une calibration de précision pour véritable filtre HEPA

Si la circulation d'air n'est pas correctement calibrée, les produits dotés d'un véritable filtre HEPA n'exploiteront pas leur plein potentiel de filtration. Les interstices, les boîtiers de filtre non étanches et une vitesse de l'air excessive sont des facteurs qui contribuent tous à réduire l'efficacité du produit. Un laboratoire d'essais indépendant vérifie que la calibration précise d'un purificateur d'air Vornado lui permet de répondre aux normes en matière de véritable filtration HEPA.

CADR

Débit D'air Purifié

Taille de la pièce	Renouvellements de l'air par heure
10x10	10.6
12x12	7.4
14x14	5.4

fumée **142**

poussière **152**

pollen **170**

Source: Laboratoire D'essais Indépendant

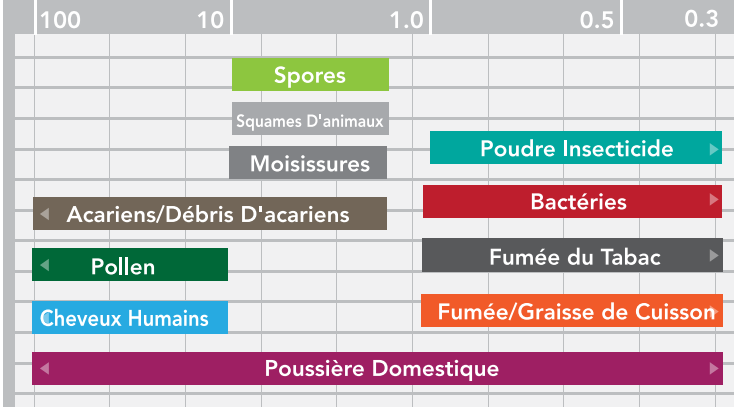
Cette valeur représente la performance à laquelle on peut s'attendre au cours des 72 premières heures d'utilisation. Par la suite, la performance peut varier selon l'utilisation.



Capte et Élimine:



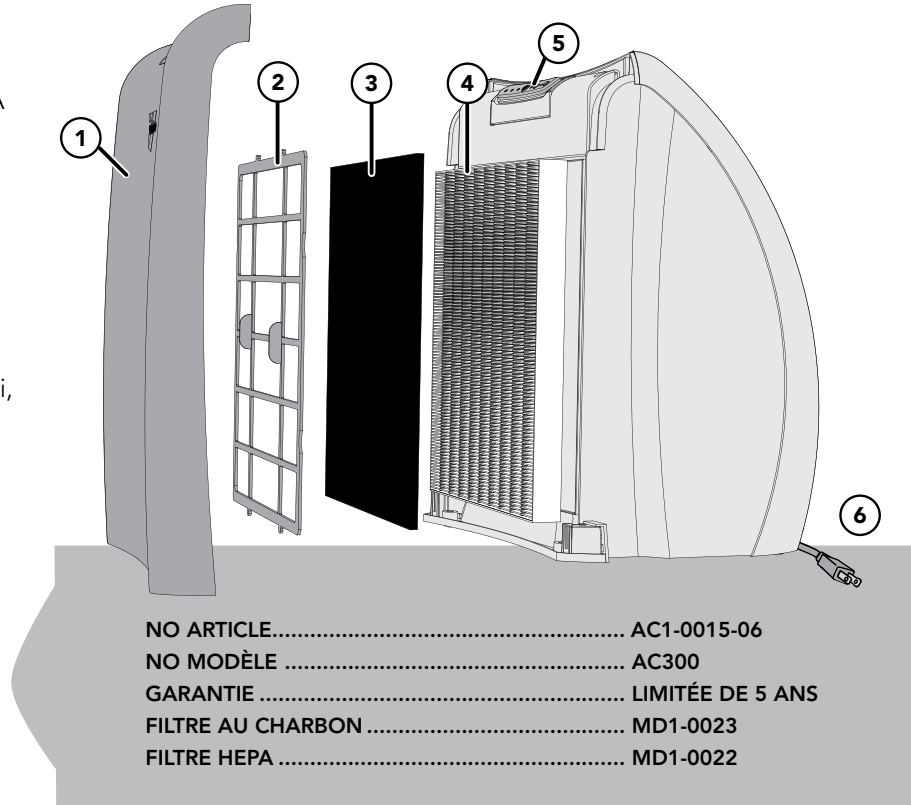
Taille des Particules en Microns

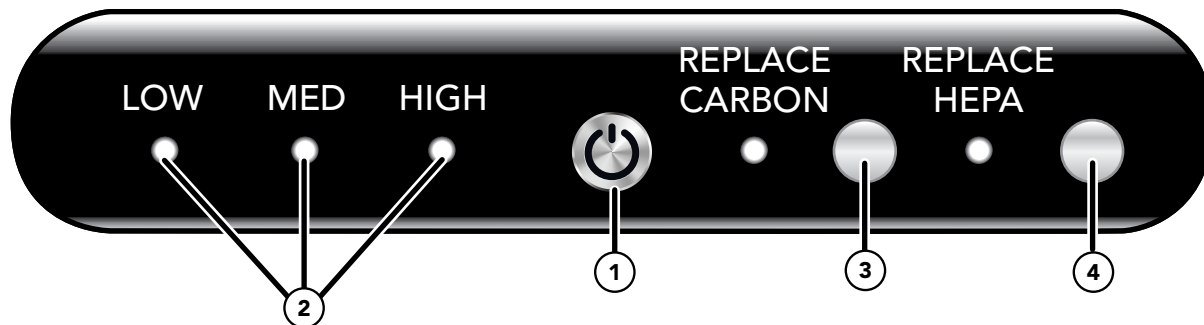


Source: norme 52.2-2007 de l'ASHRAE Standard 52.2-2007

Informations sur le produit

- 1 Panneau Avant**
- 2 Cadre De Support En Plastique Pour Filtre**
Le cadre maintient les filtres au charbon et HEPA en place.
- 3 Filtre Au Charbon**
Capte les plus grosses particules initiales et les odeurs qui traversent l'unité.
- 4 Filtre Hepa**
Captent 99,97 % des particules mesurant 0,3 microns ou plus qui pénètrent dans l'appareil. Ainsi, seul l'air filtré est expulsé dans la pièce.
- 5 Tableau De Commande**
Utilisation facile et intuitive grâce par boutons-poussoirs.
- 6 Cordon D'alimentation**
Cordon de 2 mètres pratique à utiliser.





- 1 **Alimentation**, le bouton d'alimentation permet de mettre l'appareil sous tension et hors tension.
- 2 **Vitesse du ventilateur**, 3 paramètres de vitesse. Pour sélectionner les vitesses Low (Faible), Medium (Moyenne) ou High (Élevée), appuyer sur le bouton Power de mise sous tension jusqu'à ce que la vitesse souhaitée s'affiche.
Remarque: Il y a plus de poussières et d'allergènes en suspension dans l'air quand des personnes et des animaux domestiques sont actifs dans la pièce. Dans ce cas, pour obtenir les meilleurs résultats, utiliser une vitesse plus élevée pour augmenter la purification et la circulation d'air. Utiliser une vitesse plus basse pour un fonctionnement plus silencieux quand il y a moins d'activité dans la pièce.
- 3 **Remplacement Du Filtre Au Charbon:** un voyant indique à quel moment il est recommandé de remplacer le filtre au charbon. La section REMPLACEMENT DES FILTRES

indique les instructions de remplacement. Cette caractéristique est activée par la durée d'utilisation. Le voyant s'illuminera après 4000 heures d'utilisation.

- 4 **Remplacement Du Filtre Hepa**, un voyant indique à quel moment il est recommandé de remplacer le filtre HEPA. La section REMPLACEMENT DES FILTRES indique les instructions de remplacement. Cette caractéristique est activée par la durée d'utilisation. Le voyant s'illuminera après 9000 heures d'utilisation.
Remarque: Dans les environnements moins pollués, la durée de vie des filtres peut être plus longue que ce qu'indique le voyant. Chaque environnement est différent. Le délai de remplacement des filtres correspond à une utilisation moyenne. Si l'épurateur d'air est utilisé dans un environnement plus exigeant, il pourrait être nécessaire de changer les filtres plus souvent.

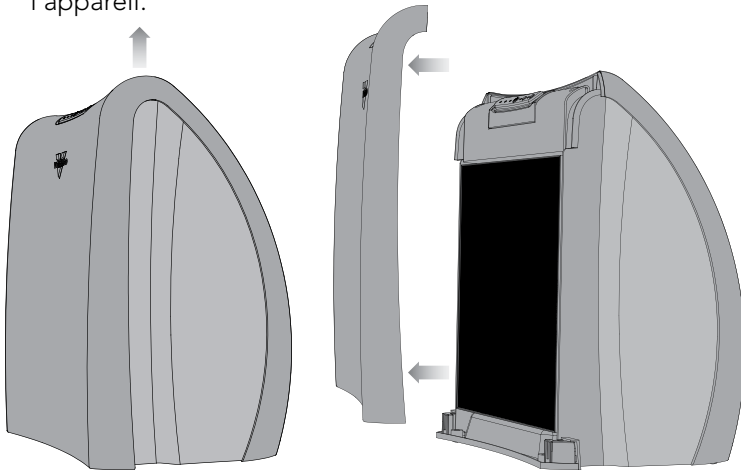
Remplacement Des Filtres

Il est recommandé d'utiliser d'authentiques filtres Vornado

Pour obtenir une performance maximale, il faut utiliser uniquement les filtres authentiques au charbon et HEPA de Vornado. D'autres marques peuvent prétendre être compatibles avec les appareils Vornado. Mais le purificateur d'air Vornado est calibré de façon à capter les particules mesurant 0,3 micron ou plus avec un taux d'efficacité atteignant 99,97 % seulement si des filtres Vornado sont utilisés.

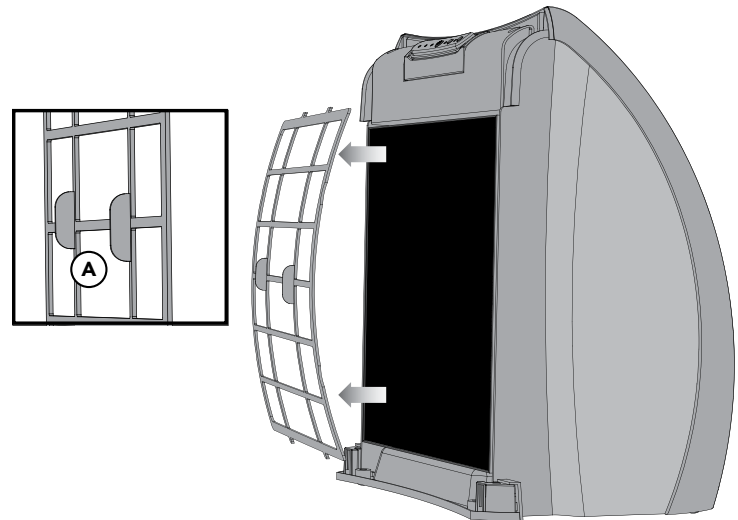
Comment remplacer les filtres

1. Débrancher l'appareil.
2. Retirer le panneau avant en le soulevant et en l'éloignant de l'appareil.



Remarque: Des aimants maintiennent le panneau avant en place. Il faut donc soulever le couvercle avec une certaine force pour contrer la résistance des aimants.

3. Enlever le cadre de support en plastique pour filtres en tirant sur les languettes du centre (A). Il pourrait être nécessaire de plier légèrement le cadre pour dégager les languettes du haut et du bas.



Remplacement Des Filtres

4. Enlever et jeter les filtres usagés. Pour ce faire, il faut tenir le filtre à carbone à n'importe quel endroit le long de son périmètre et l'enlever. Pour enlever le filtre HEPA, tenir la languette (Figure 1) et tirer pour le dégager. Remplacer les filtres usagés par de véritables filtres Vornado. Placer les filtres dans l'unité et appuyer doucement sur le périmètre du filtre pour s'assurer qu'il est bien en place (Figure 2).

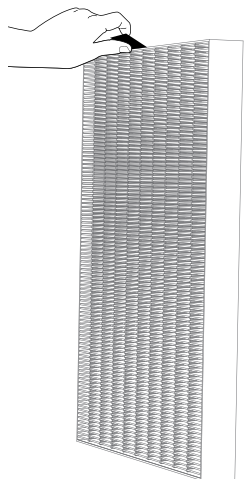


Fig. 1

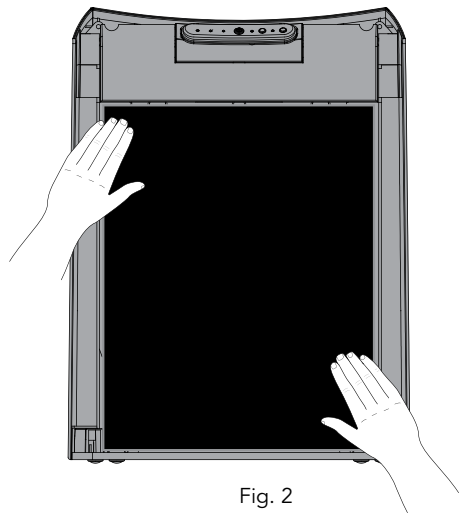
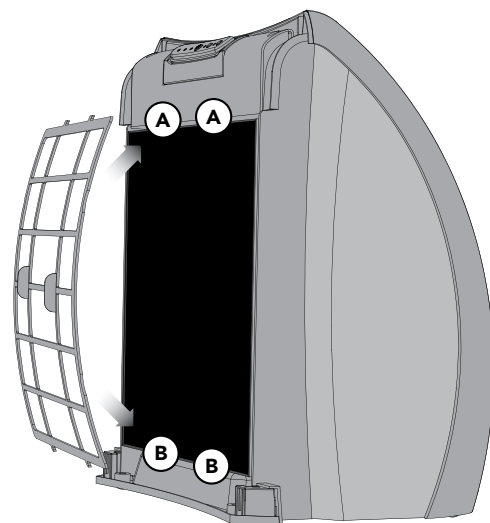
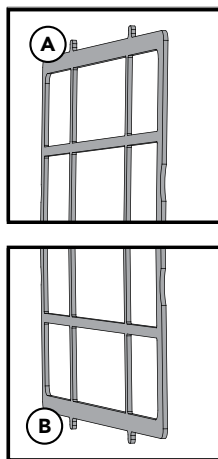


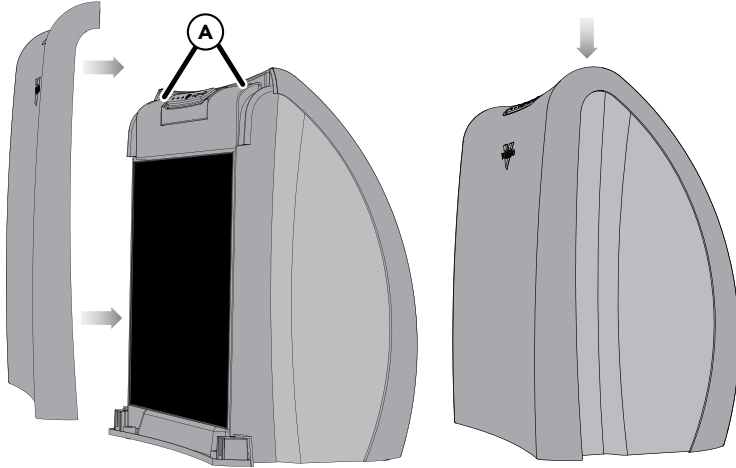
Fig. 2

5. Remettre le cadre de support en plastique pour filtres en insérant les deux languettes du bas dans les fentes inférieures (B). Plier légèrement le cadre pour insérer les deux languettes du haut dans les deux fentes supérieures (A).



Remplacement Des Filtres

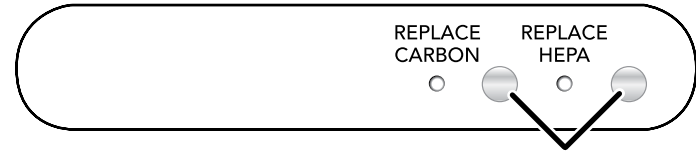
6. Remettre le panneau avant en le plaçant légèrement au-dessus de l'appareil et en l'alignant sur un des deux côtés (A). Abaisser doucement le couvercle de façon que les aimants le maintiennent fermement en place.



Fonction d'arrêt automatique de sécurité

Par mesure de protection, l'appareil fonctionnera seulement si le panneau avant est placé correctement. Ne pas essayer de passer outre à cette caractéristique de sécurité. Après que le panneau avant a été enlevé, si l'appareil ne fonctionne pas, retirer et remettre le panneau avant pour que l'appareil puisse fonctionner correctement.

7. Pour réinitialiser l'avis de remplacement des filtres, garder la touche REPLACE CARBON (remplacement du filtre au charbon) ou REPLACE HEPA (remplacement du filtre HEPA) enfoncée pendant au moins 3 secondes, selon le filtre qui a été remplacé. Le voyant s'éteindra pour confirmer que l'indicateur a été réinitialisé.



Garder enfoncée 3 secondes

Remarque: Ne pas faire fonctionner le purificateur d'air si les filtres au charbon et HEPA de Vornado ne sont pas tous deux en place dans l'appareil.

Programme De Réapprovisionnement Automatique Des Filtres



Une façon pratique et simple de recevoir régulièrement des filtres Vornado livrés directement chez vous. Pour vous inscrire, visitez www.vornado.com, envoyez un courriel à consumerservice@vornado.com ou composez le 1-800-234-0604. Vous pouvez annuler votre inscription en tout temps.

FILTRE HEPA Part # MD1-0022
FILTRE AU CHARBON Part # MD1-0023

Nettoyage

Étant donné que de gros volumes d'air passent dans le purificateur d'air Vornado chaque jour, il faut le nettoyer régulièrement.

1. Débrancher l'appareil avant de le nettoyer.

Remarque: Ne pas utiliser d'essence, de diluant, de solvant ou d'autres produits chimiques pour le nettoyage.

2. Essuyer à l'aide d'un chiffon doux et humide. (Figure 1)

3. Pour obtenir les meilleurs résultats lors du changement des filtres, il est recommandé d'éliminer la poussière à l'intérieur du purificateur d'air Vornado et sur ses côtés en les essuyant ou en passant l'aspirateur. (Figure 2)

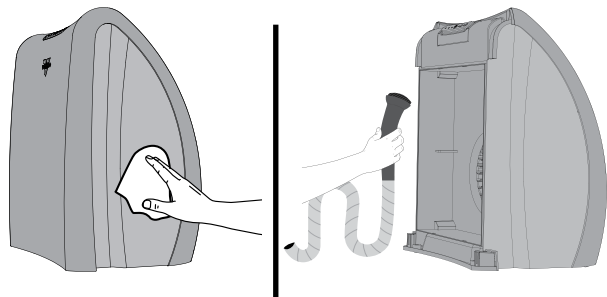


Fig. 1

Fig. 2

Autres Mesures D'entretien

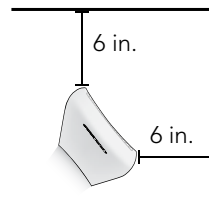
Le moteur est lubrifié en permanence; il n'est donc pas nécessaire de l'entretenir. L'appareil ne contient aucune pièce réparable, à l'exception des filtres.

1. Conserver le carton d'emballage pour ranger l'appareil quand celui-ci ne sert pas.
2. Utiliser les poignées de chaque côté de l'appareil pour le transporter facilement.



3. Pour obtenir les meilleurs résultats, diriger l'avant de l'appareil (côté où apparaît le logo) vers le centre de la pièce, en conservant une distance d'au moins 15 cm entre ses côtés et les murs ou les meubles.

Remarque: Pour optimiser la circulation d'air, il ne faut pas obstruer la sortie d'air. S'assurer que les rideaux et les autres éléments sont suffisamment éloignés de l'appareil afin qu'ils ne soient pas aspirés par les prises d'air latérales et qu'ils n'entravent pas la circulation d'air.



Problème

Cause possible et Solution

L'appareil ne se met pas sous tension.

L'appareil n'est pas branché. Brancher le cordon d'alimentation dans une prise électrique.

Le disjoncteur de circuit/de fuite à la terre de la résidence a été déclenché ou a fait sauter un fusible. Réenclencher le disjoncteur de circuit/de fuite à la terre, ou remplacer le fusible. Pour obtenir de l'aide, contacter un électricien compétent.

Un fusible de l'appareil a sauté. Cesser immédiatement d'utiliser l'appareil et le débrancher. Contacter le service aux consommateurs pour obtenir de l'aide.

L'appareil est endommagé ou il doit être réparé. Cesser immédiatement d'utiliser l'appareil et le débrancher. Contacter le service aux consommateurs pour obtenir de l'aide.

Le panneau avant n'est peut-être pas installé correctement. Enlever et remettre le panneau avant en s'assurant qu'il est correctement placé. Consulter REMPLACEMENT DES FILTRES à la pg 35.

La circulation d'air est faible ou lente.

L'appareil a été réglé à vitesse faible. Utiliser une vitesse plus élevée.

Des débris se sont accumulés sur le filtre. Vérifier et remplacer le(s) filtre(s).

La circulation d'air est entravée. Enlever ce qui entrave la circulation d'air.

Rangement Adéquat

Veuillez suivre les étapes ci-dessous pour le rangement de l'appareil.

1. Débrancher le cordon d'alimentation. Enrouler lâchement le cordon d'alimentation.
2. Soulever l'appareil avec les deux mains en utilisant les poi-

- gnées. Consulter la section CONSEILS D'UTILISATION.
3. Recouvrir l'appareil ou le remettre dans son carton d'emballage si possible. Cette mesure empêchera la poussière de s'accumuler sur l'appareil à la longue.
4. Ranger l'appareil dans un endroit frais et sec.



Purificateur d'air pour toute la pièce • Garantie limitée de 5 ans

Vornado Air LLC (ci-après « Vornado ») garantit au consommateur initial ou à l'acheteur initial que ce purificateur d'air Vornado® (ci-après le « Produit ») ne comporte aucun vice de matériau ou de fabrication pour une période de cinq (5) ans à compter de la date d'achat, selon le modèle. Si un tel vice était décelé durant la période de garantie, Vornado, à sa discrétion, réparera ou remplacera le Produit sans frais. Pour les réparations non couvertes par la garantie ou demandées après la période de garantie, des frais s'appliqueront pour couvrir le coût des matériaux, de la main-d'œuvre, de la manutention et de l'expédition.

Cette garantie ne s'applique pas aux vices qui résultent d'une utilisation abusive du Produit, de sa modification, de la réparation du Produit ou de son entretien s'ils n'ont pas été effectués par Vornado, d'une manutention inadéquate, d'un entretien inadéquat, d'un usage commercial du Produit, des dommages survenus lors de la livraison ou causés par des catastrophes naturelles.

LES RÉPARATIONS ET LES REMPLACEMENTS PRÉVUS EN VERTU DE LA GARANTIE CONSTITUENT LE SEUL RECOURS DU CONSOMMATEUR. VORNADO NE PEUT ÊTRE TENUE RESPONSABLE DES DOMMAGES ACCESSOIRES OU INDIRECTS DÉCOULANT DE LA VIOLATION DE TOUTE GARANTIE EXPRESSE OU IMPLICITE DE CE PRODUIT. SAUF DANS LA MESURE INTERDITE PAR LES LOIS APPLICABLES, TOUTE GARANTIE IMPLICITE DE QUALITÉ MARCHANDE OU D'APTITUDE À UN USAGE PARTICULIER RELATIVE À CE PRODUIT EST LIMITÉE À LA DURÉE DE CETTE GARANTIE.

Certains États et certaines provinces ne permettent pas l'exclusion ou la limitation des dommages accessoires ou indirects, ou permettent la limitation de la durée d'une garantie implicite : dans ce cas, les clauses de limitation ou d'exclusion décrites ci-dessus peuvent ne pas s'appliquer à votre situation. Cette garantie vous octroie des droits légaux spécifiques. Vous pouvez également bénéficier de droits additionnels, selon l'État ou la province où vous vous trouvez.

Pour bénéficier du service de garantie ou de réparation, composez le 1-800-234-0604 ou envoyez un courriel à consumerservice@vornado.com afin d'obtenir un formulaire d'autorisation de retour (« AR »). Veuillez avoir sous la main ou inclure le numéro de modèle de votre Produit et son numéro de série, ainsi que vos nom, adresse, ville, État ou province, code postal et numéro de téléphone quand vous contactez Vornado au sujet du service de garantie. Après avoir reçu le formulaire d'autorisation de retour, expédiez votre Produit à :

Vornado Air LLC
Attn: Warranty & Repair
415 East 13th Street
Andover, KS 67002

Pour plus de commodité, veuillez avoir le numéro de modèle et le numéro de série sous la main quand vous contactez Vornado au sujet des réparations. Pour garantir une manutention adéquate, le numéro d'AR doit être clairement indiqué sur le colis. Les colis où ne figure pas clairement le numéro d'AR peuvent être refusés au quai de déchargement. Veuillez prévoir 1 à 2 semaines pour la réparation et le retour de votre Produit après réception du Produit. Pour vos dossiers : agrafez ou joignez votre reçu d'achat original au présent mode d'emploi. Veuillez aussi inscrire le numéro de série de votre produit cidessous (vous le trouverez sur la décalcomanie où figurent les caractéristiques techniques du produit).

No de série _____

Vous pouvez enregistrer le produit en ligne sur www.vornado.com
© 2012 Vornado Air LLC Andover, KS 67002, É.-U.

Brevets en instance. Les caractéristiques techniques peuvent être modifiées sans préavis.
Vornado® est une marque de commerce qui appartient à Vornado Air LLC.
www.vornado.com consumerservice@vornado.com 800.234.0604



Vornado Air, LLC
415 East 13th Street, Andover, Kansas 67002
800.234.0604 | www.vornado.com

Speak your mind www.vornado.com/reviews