



---

## AIR PURIFIER

### Use & Care Guide

For questions about features, operation/performance, parts accessories or service call: **1-800-253-1301**

In Canada, call for assistance **1-800-461-5681**, for installation and service, call: **1-800-807-6777**

or visit our website at... [www.whirlpool.com](http://www.whirlpool.com)  
or... [www.whirlpool.com/canada](http://www.whirlpool.com/canada)

---

Table of Contents .....	2
-------------------------	---

---

# TABLE OF CONTENTS

<b>AIR PURIFIER SAFETY</b> .....	2	<b>ASSISTANCE OR SERVICE</b> .....	5
Electrical Requirements .....	3	In the U.S.A. ....	5
Location Requirements .....	3	In Canada .....	5
<b>AIR PURIFIER USE</b> .....	3	Replacement Filters.....	5
Starting/Stopping Your Air Purifier .....	3	<b>WARRANTY</b> .....	6
<b>AIR PURIFIER CARE</b> .....	4		
Cleaning.....	4		
Filter Replacement .....	4		
<b>TROUBLESHOOTING</b> .....	4		



## AIR PURIFIER SAFETY

### Your safety and the safety of others are very important.

We have provided many important safety messages in this manual and on your appliance. Always read and obey all safety messages.



This is the safety alert symbol.

This symbol alerts you to potential hazards that can kill or hurt you and others.

All safety messages will follow the safety alert symbol and either the word "DANGER" or "WARNING." These words mean:

**! DANGER**

**You can be killed or seriously injured if you don't immediately follow instructions.**

**! WARNING**

**You can be killed or seriously injured if you don't follow instructions.**

All safety messages will tell you what the potential hazard is, tell you how to reduce the chance of injury, and tell you what can happen if the instructions are not followed.

## IMPORTANT SAFETY INSTRUCTIONS

**WARNING:** To Reduce The Risk Of Fire or Electrical Shock, Do Not Use The Air Purifier With Any Solid-State Speed Control Device.

**WARNING:** To Reduce The Risk Of Fire Or Electrical Shock And Injury To Persons, Do Not Use In A Window.

Unplug air purifier before servicing.

**READ AND SAVE THESE INSTRUCTIONS**

## Electrical Requirements

### **⚠️ WARNING**



#### Electrical Shock Hazard

Plug into a grounded 3 prong outlet.

Do not remove ground prong.

Do not use an adapter.

Do not use an extension cord.

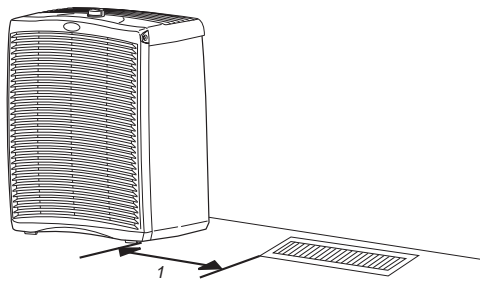
Failure to follow these instructions can result in death, fire, or electrical shock.

#### Electrical Connection

To properly install your air purifier, you must determine the type of electrical connection you will be using and follow the instructions provided for it here.

- The air purifier should be connected to a 115 V, 60 Hz, 15- or 20-ampere fused 3 prong grounded outlet.
- The use of a time-delay fuse or time-delay circuit breaker is recommended.

## Location Requirements



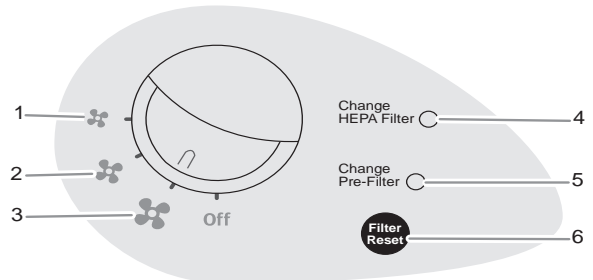
1. 6 in. (15.2 cm) min. clearance

- You will need a level surface at least 6 in. (15.2 cm) from heat sources such as ranges or heaters.
- Do not block the air openings or place the air purifier on a soft surface such as a bed or sofa.
- Operate indoors only.

## AIR PURIFIER USE

### Starting/Stopping Your Air Purifier

**NOTE:** Before operating the air purifier, record the date of installation on the HEPA filter, which should be replaced annually. The pre-filter should be replaced every 3 months. To remove and replace either filter, see “Filter Replacement” in the “Air Purifier Care” section.



1. Low fan speed  
2. Medium fan speed

3. High fan speed  
4. HEPA filter indicator light

5. Pre-filter indicator light  
6. Filter Reset button

### **⚠️ WARNING**



#### Electrical Shock Hazard

Plug into a grounded 3 prong outlet.

Do not remove ground prong.

Do not use an adapter.

Do not use an extension cord.

Failure to follow these instructions can result in death, fire, or electrical shock.

1. Plug into a grounded 3 prong outlet.

**NOTE:** Both filter indicator lights will flash once during a self-test when the air purifier is turned on or after a power interruption.

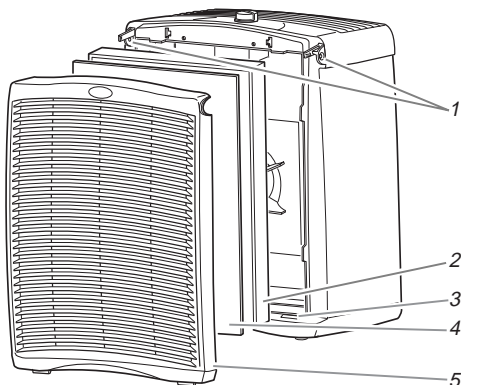
2. Turn the fan speed knob to the large fan icon (High), the middle fan icon (Medium) or the small fan icon (Low) to select the desired fan speed.
3. Turn the fan speed knob to Off to turn the air purifier off.

---

# AIR PURIFIER CARE

---

## Cleaning



1. Release tabs      3. Bottom slot      4. Pre-filter  
2. HEPA filter      5. Front grille

1. Turn the fan speed knob to Off.
2. Unplug air purifier or disconnect power.
3. Place fingers on the front release tabs. Gently push the tabs in and pull the front grille forward to remove it.
4. Remove both filters and set aside. Do not try to wash and reuse either the HEPA filter or the pre-filter.
5. Clean the air purifier with a soft, damp cloth.
6. Gently wash the front grille in soapy water.  
**NOTE:** The grille is not dishwasher safe.
7. Reassemble the filters as shown in the previous illustration.
8. Place the bottom tabs on the front grille into the slots in the base of the air purifier. Push the top of the grille forward until the grille locks into place.
9. Plug in air purifier or reconnect power.
10. Turn the fan speed knob to the desired fan speed.

---

## Filter Replacement

**NOTE:** The filter indicator lights on top of the air purifier will glow when it is time to replace either the pre-filter or the HEPA filter. For the most efficient operation of the air purifier, it is recommended that you replace the pre-filter every three months and the HEPA filter every year. See “Replacement Filters” in the “Assistance or Service” section.

1. Turn the fan speed knob to Off.
2. Unplug air purifier or disconnect power.
3. Place fingers on the front release tabs. Gently push the tabs in and pull the front grille forward to remove it.
4. Remove and replace the indicated filter. Install the new HEPA filter in the same direction shown by the arrow located on the filter frame. Install the new pre-filter by placing it on the tabs.  
**NOTE:** Do not try to wash and reuse either the HEPA filter or the pre-filter.
5. Place the bottom tabs on the front grille into the slots in the base of the air purifier. Push the top of the grille forward until the grille locks into place.
6. Plug in air purifier or reconnect power.
7. Turn the fan speed knob to the desired fan speed.
8. Press the Filter Reset button to turn off the filter indicator light(s) and reset the timer.

**NOTE:** Pressing the Filter Reset button before either of the filter indicator lights glows will not reset the timer.

---

# TROUBLESHOOTING

**First try the solutions suggested here and possibly avoid the cost of a service call...**

---

### Air purifier will not run

---

- **Check the following:**
  - Is the air purifier turned on?
  - Is the power cord plugged into a grounded 3 prong outlet?
  - Has a fuse blown or has the circuit breaker tripped?
  - Was a regular fuse used? Use a time-delay fuse or time-delay circuit breaker.

---

# ASSISTANCE OR SERVICE

Before calling for assistance or service, please check "Troubleshooting." It may save you the cost of a service call. If you still need help, follow the instructions below.

When calling, please know the purchase date and the complete model and serial number of your appliance. This information will help us to better respond to your request.

---

## In the U.S.A.

Call the Whirlpool Customer Interaction Center toll free: **1-800-253-1301**.

### Our consultants provide assistance with:

- Features and specifications on our full line of appliances.
- Installation information.
- Use and maintenance procedures.
- Accessory and repair parts sales.
- Specialized customer assistance (Spanish speaking, hearing impaired, limited vision, etc.).
- Referrals to local dealers, repair parts distributors, and service companies. Whirlpool designated service technicians are trained to fulfill the product warranty and provide after-warranty service, anywhere in the United States.

To locate the Whirlpool designated service company in your area, you can also look in your telephone directory Yellow Pages.

### For further assistance

If you need further assistance, you can write to Whirlpool Corporation with any questions or concerns at:

Whirlpool Brand Home Appliances  
Customer Interaction Center  
553 Benson Road  
Benton Harbor, MI 49022-2692

Please include a daytime phone number in your correspondence.

---

## In Canada

Call the Whirlpool Canada Inc. Customer Interaction Center toll free: **1-800-461-5681** Monday to Friday 8:00 a.m. - 6:00 p.m. (EST). Saturday 8:30 a.m. - 4:30 p.m. (EST).

### Our consultants provide assistance with:

- Features and specifications on our full line of appliances.
- Referrals to local dealers.

### For service in Canada

Call **1-800-807-6777**. Whirlpool Canada Inc. designated service technicians are trained to fulfill the product warranty and provide after-warranty service, anywhere in Canada.

### For further assistance

If you need further assistance, you can write to Whirlpool Canada Inc. with any questions or concerns at:

Customer Interaction Center  
Whirlpool Canada Inc.  
1901 Minnesota Court  
Mississauga, Ontario L5N 3A7

Please include a daytime phone number in your correspondence.

---

## Replacement Filters

Replacement filters may be ordered by calling our Customer Interaction Center at **1-800-253-1301**.

In Canada, please call **1-800-807-6777**.

You may also visit our website [www.whirlpool.com](http://www.whirlpool.com) or [www.whirlpool.com/canada](http://www.whirlpool.com/canada).

**NOTE:** This information is also located on the HEPA filter for your convenience.

---

Air Purifier Model No.	HEPA Filter Replacement Part No.	Pre-filter Replacement Part No.
AP15030	1183050 or 1187017	1183062
AP25030	1183051 or 1187018	1183062
AP35030	1183052 or 1187021	1183063
AP45030	1183054 or 1187022	1183063

---

# WHIRLPOOL® AIR PURIFIER WARRANTY

## ONE YEAR FULL WARRANTY

For one year from the date of purchase, if this air purifier fails when operated and maintained according to instructions attached to or furnished with the product, Whirlpool Corporation will arrange to deliver an identical or comparable replacement to your door free of charge and have your "failed" air purifier returned to us. Your replacement unit is covered by our one-year full warranty. This warranty DOES NOT cover the replacement HEPA (High Efficiency Particulate Air) filter or pre-filter.

**If you reside in Canada and your Whirlpool® air purifier should fail within the first year of ownership, call 1-800-461-5681 for details on obtaining a replacement unit.**

**If you reside in the United States and your Whirlpool® air purifier should fail within the first year of ownership:**

1. Call our Customer Interaction Center at **1-800-253-1301** (toll-free), 8 a.m. to 8 p.m., Monday through Friday or 9 a.m. to 3 p.m., Saturday (EST).
2. Give the consultant your complete shipping address (no P.O. Box numbers).
3. Give the consultant your complete model and serial numbers.
4. Whirlpool Corporation will arrange to deliver a replacement air purifier and have your "failed" air purifier returned to us.
5. When you receive your replacement air purifier, use the carton and packing materials to repack your "failed" air purifier. Inside the carton, include your name and address on a piece of paper along with a copy of the proof of purchase (register receipt, credit card, charge slip, etc.).
6. The consultant will also identify the designated service center nearest your location.

## QUIET 30-DAY MONEY-BACK GUARANTEE

For 30 days from the date of purchase, if you are not completely satisfied that your new Whirlpool® Air Purifier is quieter than your previous high-efficiency air purifier, Whirlpool Corporation will take it back and refund the full purchase price to you. (Finance charges are not included.) Contact the Whirlpool Customer Interaction Center toll-free at **1-800-253-1301** for money-back guarantee procedures. In Canada, call **1-800-461-5681**.

### Whirlpool Corporation will not pay for:

1. Service calls to instruct you how to use your air purifier, to replace house fuses or correct house wiring or reset circuit breakers, or to replace owner accessible air filters.
2. Replacement when your air purifier is used in other than normal, single-family household use.
3. Damage resulting from accident, alteration, misuse, abuse, fire, floods, acts of God, improper installation (including, but not limited to, venting with plastic or flexible foil), installation not in accordance with local electrical and plumbing codes, or use of products not approved by Whirlpool Corporation or Whirlpool Canada Inc.
4. Replacement parts, repair labor costs and/or replacement of a "failed" air purifier for units operated outside the United States and Canada.
5. Repairs to parts or systems resulting from unauthorized modifications made to the appliance.

## WHIRLPOOL CORPORATION AND WHIRLPOOL CANADA INC. SHALL NOT BE LIABLE FOR INCIDENTAL OR CONSEQUENTIAL DAMAGES.

Some states or provinces do not allow the exclusion or limitation of incidental or consequential damages, so this exclusion or limitation may not apply to you. This warranty gives you specific legal rights and you may also have other rights which vary from state to state.

**Outside the 50 United States and Canada, this warranty does not apply. Contact your authorized Whirlpool dealer to determine if another warranty applies.**

If you need service, first see "Troubleshooting." Additional help can be found by checking "Assistance or Service," or by calling our Customer Interaction Center at **1-800-253-1301**, from anywhere in the U.S.A. or write: Whirlpool Corporation, Customer Interaction Center, 553 Benson Road, Benton Harbor, MI 49022-2692. In Canada, call **1-800-807-6777**.

1/03

**Keep this book and your sales slip together for future reference. You must provide proof of purchase or installation date for in-warranty service.**

Write down the following information about your air purifier to better help you obtain assistance or service if you ever need it. You will need to know your complete model number and serial number.

Dealer name \_\_\_\_\_  
Address \_\_\_\_\_  
Phone number \_\_\_\_\_  
Model number \_\_\_\_\_  
Serial number \_\_\_\_\_  
Purchase date \_\_\_\_\_

1183067B

© 2003 Whirlpool Corporation.  
All rights reserved.

© Registered Trademark/TM Trademark of Whirlpool, U.S.A.  
Whirlpool Canada Inc. licensee in Canada



2/03  
Printed in U.S.A.